

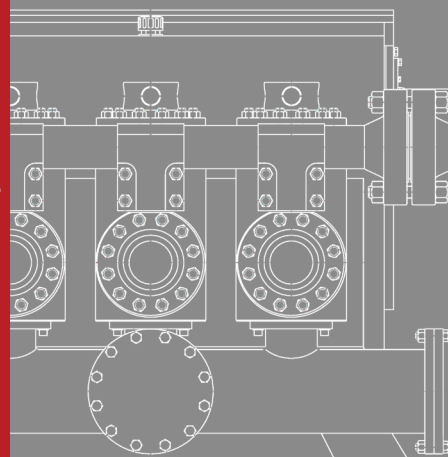
# TSC MUD PUMP EXPENDABLES

Expendables

Accessories

Fluid End Modules

[www.t-s-c.com](http://www.t-s-c.com)



*Beyond Integration  
Seamless Solutions™*



TSC Manufacturing and Supply

## COMPANY

TSC MANUFACTURING and SUPPLY, LLC is a leading worldwide manufacturer and distributor of fluid end expendables and mud pump spare parts for existing equipment, and new mud pumps of TSC design. These highly specialized parts are used throughout the oil well drilling, workover, water well drilling and mining industry.

Headquartered in the USA, Houston, Texas, coupled with extensive worldwide global locations, TSC is able to provide high quality products with expedient deliveries to our valued customers.

TSC's modern manufacturing facilities feature strict quality control processes which guarantee our products are produced to the highest industry standards, which include certification to ISO 9001 and API ISO/TS 29001 standards, and authorization to mark our equipment with API monogram.

Additionally, our extensive experience in research and development abilities and activities enables us to effectively manufacture existing products to even higher standards, which ensures that the products you receive consistently exceed OEM specifications, not just meet them.

When you require fluid end expendables or mud pump replacement parts, TSC's goal is to exceed our customers' expectations 24/7/365 with our superior customer service and the highest quality products at competitive prices.

You won't regret allowing us to service your organization. Remember...

**TSC is your Total Solution Company**



TSC Manufacturing and Supply LLC, 13788 West Road, Suite 100, Houston, Texas 77041, USA  
 Tel: +1 832 456 3900 Fax: +1 832 456 3998 E-mail: sales@t-s-c.com

NOTES

## TABLE OF CONTENTS

### INTRODUCTION

#### LINERS

High Chrome Sleeve Liner.....	9
Chrome-Plated Liner.....	9
Zirconia Liner .....	10

#### PISTONS

Urethane Piston .....	11
N'durall Premium Bonded Piston .....	12
Rubber Piston .....	13

#### PISTON RODS, EXTENSION RODS & CLAMPS

Piston Rods.....	14
Extension Rods.....	14

#### VALVES AND SEATS

Full Open Valve And Seat.....	15
3 Web Design and 4 Web Design Valve and Seat.....	15

#### FLUID END MODULES .....

#### FLUID END ACCESSORIES .....

#### RUBBER & ELASTOMER PRODUCTS.....

#### PULSATION DAMPENERS.....

### MUD PUMP EXPENDABLE PARTS

#### TSC

WFU340.....	23
WF400 .....	24
WFU450.....	25
WWS500.....	26
WF700 .....	27

## TABLE OF CONTENTS

WF1300B .....	28
WF1300C .....	29
WF1600 .....	30
WF1600L .....	31
WF1600LH (7500 PSI).....	32
WF1600H (7500 PSI).....	33
WF2000 (7500 PSI) .....	34
WF2200 .....	35
<b>EMSCO</b>	
F-350.....	37
F-500.....	38
F-650.....	39
F-800.....	40
F-1000.....	41
FB-1300 .....	42
FB-1600 .....	43
FC-1600 .....	44
FC-2200.....	45
<b>EWCO (LEWCO)</b>	
W-440-LP .....	46
W-446 .....	47
<b>EWECO (ELLIS WILLIAMS ENGINEERING Co)</b>	
E-447 .....	48
<b>GARDNER DENVER</b>	
TEE-5.....	49
PAH.....	50
PZ-7 .....	51
PZ-8 .....	52

## TABLE OF CONTENTS

PZ-9 .....	53
PZ-10 .....	54
PZ-11 .....	55
PZ-11HP.....	56
PXL .....	57
<b>IDECO</b>	
T-500.....	58
T-800.....	59
T-1000.....	60
T-1300.....	61
T-1600.....	62
<b>NATIONAL</b>	
JWS-165 .....	63
JWS-340 .....	64
JWS-400 .....	65
7-P-50 .....	66
8-P-80 .....	67
9-P-100 .....	68
10-P-130 .....	69
12-P-160 .....	70
12-P-160 Fast Change.....	71
12-P-160 (7500 PSI).....	72
14-P-220 .....	73
<b>OILWELL</b>	
A-350-PT.....	74
A-560-PT.....	75
A-600-PT.....	76

TABLE OF CONTENTS

A-850-PT .....77

A-1100-PT .....78

A-1400-PT ..... 79

A-1700-PT.....80

**OPI**

OPI-700 .....81

**BOMCO**

F-500.....82

F-800.....83

F-1000.....84

FB-1300 .....85

FB-1600 .....86

**LANSHI**

3NB1000C .....87

3NB1300C .....88

3NB1600 .....89

**HONGHUA**

HHF-1300 .....90

HHF-1600 .....91

**SOUTHWEST**

12-P-160 .....92

FB-1300 .....93

FB-1600 .....94

A-1400 .....95

A-1700 ..... 96

## TABLE OF CONTENTS

**FLUID END MODULE AND ACCESSORIES****TSC**

WFU340 .....	98
WF400 .....	100
WFU450 .....	102
WWS500 .....	104
WF700 .....	106
WF1300B .....	108
WF1300C .....	110
WF1600 .....	112
WF1600L .....	114
WF1600LH (7500 PSI).....	116
WF1600H (7500 PSI).....	118
WF2000 (7500 PSI) .....	120
WF2200 .....	122

**EMSCO**

F-350, F-500, F-650 .....	124
F-800, F-1000 .....	126
FB-1300, F-1600.....	128
FC-1600 (7500 PSI).....	130
FC-2200 .....	132

**GARDNER DENVER**

PAH .....	134
PZ-7, PZ-8, PZ-9 .....	136
PZ-10, PZ-11.....	138
PZ-11HP (7500 PSI) .....	140



TABLE OF CONTENTS

**IDECO**

T-500, T-800, T-1000..... 142  
 T-1300, T-1600..... 144

**NATIONAL**

8-P-80 ..... 146  
 9-P-100 ..... 148  
 10-P-130 ..... 150  
 12-P-160 (7500 PSI)..... 152  
 12-P-160 (FAST CHANGE) ..... 154  
 12-P-160 (7500 PSI)..... 156  
 14-P-220 ..... 158

**OILWELL**

A-850-PT, A-1100-PT, A-1400-PT, A-1700-PT..... 160

**BOMCO**

F-500..... 162  
 F-800, F-1000 ..... 164  
 F-1300, F-1600 ..... 166

**LANSHI**

3NB1000C ..... 168  
 3NB1300C ..... 170  
 3NB1600 ..... 172

**HONGHUA**

HHF-1300, HHF1600 ..... 174

**SOUTHWEST**

SOUTHWEST NEW STYLE MODULE for 12-P-160..... 176  
 SOUTHWEST for FB-1300, FB-1600 ..... 178  
 SOUTHWEST for A-1400-PT, A-1700-PT ..... 180

## INTRODUCTION

### LINERS

When it comes to mud pump fluid end expendable parts, TSC Manufacturing and Supply, LLC. has it all.

TSC mud pump liners are designed and manufactured to meet or exceed original equipment specification and API standards for almost all types of mud pumps in use today. With advanced technology, metallurgical control and rigid inspection, we offer unmatched performance and durability according to customer testimonies in the most severe drilling conditions, both triplex and duplex liners are available in a wide range of sizes.

### HIGH CHROME SLEEVE LINER

The outer hull, or body, of the liner is manufactured using high-strength forging. TSC uses forgings exclusively to ensure consistent quality. The sleeve is centrifugally cast in the TSC facilities by skilled craftsmen. It has the maximum amount of chrome for the base metal and TSC adds molybdenum to increase the hardness depth. The sleeve is then inserted into the hull at a tightness that exceeds its counterparts. The TSC liner is rated to match the pressure rating of the pump per liner size.

**TSC mud pump liners are unsurpassed in quality and reliability.**

#### Features

- Rated for all drilling operations.
- Bore hardness is 62-69 Rockwell.
- "HP" lip design to prevent inner sleeve slippage.
- Extremely long service life.



### CHROME-PLATED LINER

TSC chrome-plates the same outer hull in lieu of the sleeve to maximum thickness. The hulls are then machined and polished to a mirror finish.

## INTRODUCTION

### ZIRCONIA CERAMIC LINER

TSC's zirconia liners offer lifetime cost savings, significantly longer service, better performance and safer operation than those made of more commonly used alumina ceramic.

In addition, TSC's zirconia liner is a proprietary Zirconium-based matrix that has significantly improved mechanical characteristics.

Zirconia has three important property advantages compared to alumina.

- Zirconia exhibits better impact strength.
- Zirconia is harder than alumina.
- Zirconia can be honed to finer surface finishes than alumina. Finished to 4 RMS, the zirconia liners provide a surface finish that is three to four times finer than alumina.

All three of these property advantages translate to lower ownership costs. The improved wear directly extends the service life of the sleeve, while the improved impact strength reduces significantly the costs of replacing broken liners in the field. The surface finish improvements, meanwhile, have an indirect effect. The finer surface finish means less friction with the elastomer-and-metal pump pistons, which in turn extends piston life and reduces pump-cooling requirements.

- Reduced liner and piston wear.
- Increased impact characteristics.
- Lower thermal load on the liner wash system.
- Higher thermal ratings.
- HP design with shoulder-on-hull to prevent sleeve slippage.
- ID tolerances of  $+ .010"/- .000"$ .
- Surface finish of 4-8 RMS.
- Hardness is HV 0.3 kg/mm – 1100/1200 ( 92-94 Rc).
- Improved performance for high temperature applications.
- Liner sizes are available from 4"-8" for all popular mud pumps.



## INTRODUCTION

### PISTONS

TSC offers a full range of mud pump pistons for both triplex and duplex pumps. They are:

- Bonded urethane pistons.
- Bonded rubber pistons.
- Replaceable rubber pistons.
- Endurance Premium Bonded Piston.



### BONDED URETHANE PISTON

These pistons are constructed of double durometer urethane, bonded to a solid metal hub. Double durometer urethane is designed to provide optimum performance in oil-based mud and high drilling pressures.

#### Features

- Rated for all drilling operations.
- Maximum operating temperature is 180 °F.
- High pressure mud pump service.
- Extended service life.



## INTRODUCTION

### N'DURALL PREMIUM BONDED PISTON

TSC's "N'durall" mud pump piston improves drilling contractor economics through advances in technology, improved process control and increased drilling penetration rates.

#### Chemistry

Manufactured from advanced polymer compounds, the advances in chemistry ultimately provide superior mechanical values and chemical resistance. The increased mechanical values provide resistance to reciprocating pump pistons biggest enemies listed below.

- Heat.
- Abrasion.
- Extrusion.

The advanced polymer compound provides strength to withstand chemical attack from additives used in today's oil, synthetic and water based drilling fluids. The compound also has improved abrasion resistance from drilling solids suspended in drilling muds and excels in high temperature performance capable of operating in fluid temperature up to 300°F.

#### Improved Process Control

The "N'durall" carries stamped batch numbers on the piston body for use in monitoring manufacturing dates and as an aid in rotating shelf stock.

#### Design

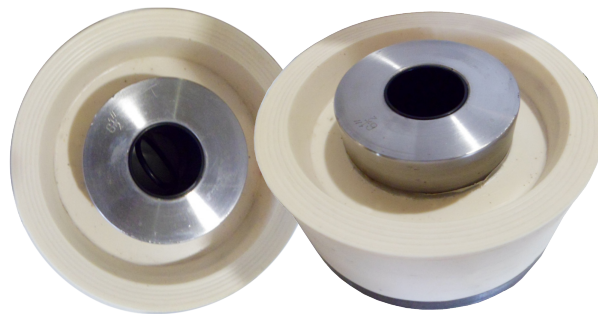
The single durometer design and open mold casting contribute to overall performance and improved economics.

#### Machining

CNC machining of steel piston heads yields close tolerances for improved performance.

#### Applications

- High Pressure Drilling.
- Elevated Mud Temperature.
- Synthetic Drilling Fluid.
- Ceramic and Zirconia Liners.
- Chrome Sleeved Liners.



## INTRODUCTION

### BONDED RUBBER PISTON

TSC pistons are constructed of nitrile rubber bonded to a solid metal hub. The oil resistant rubber is designed to provide optimum performance in oil base or water base mud and high drilling pressures.

#### Features

- High tensile strength.
- Rated for all drilling operations.
- Maximum operating temperature is 250°F.
- Extended service life.



### REPLACEABLE RUBBER PISTON

TSC replaceable rubber pistons are made with nitrile rubber to resist extrusion and abrasion. These pistons are fully interchangeable with most other manufactures products. Available sizes range from 3" through 7-1/2" and series are A, B, K and L.

#### Features

- High tensile strength.
- Rated for all drilling operations.
- Maximum operating temperature is 250°F.
- Extended service life.



## INTRODUCTION

### PISTON RODS

TSC piston rods are made with premium-grade, heat-treated alloy steel. The rods offer excellent resistance to fatigue, corrosion and heavy loads. A full line of piston rods are available for various pumps.

#### Features

- Fabricated with quality alloy steel.
- Numerically controlled machining.
- Long-lasting service life.
- Clamped and threaded.



### EXTENSION RODS

TSC extension rods are made from high-strength alloy steel, either heat treated or chrome plated. The rod offers excellent resistance to fatigue, corrosion and heavy loads. They are machined and polished to ensure a perfect seal for protection of the mud pump gear end.

#### Features

- Fabricated with high quality steel.
- Numerically controlled machining.
- Long-lasting service life.
- Clamped and threaded.



## INTRODUCTION

**VALVES AND SEATS**

TSC offers a full range of valves and seats test to withstand the harshest service conditions. Available in Full Open, 3 Web design & 4 Web design valve and seat.

**FULL OPEN VALVE AND SEAT****Features**

- Forged alloy construction.
- Heat treated wear and guide surfaces.
- Precision machined and manufactured to API standards.
- Precision molded Urethane inserts.
- Rubber and specialized inserts available.
- Associated parts, springs, guides & pullers.

**3 WEB DESIGN / 4 WEB DESIGN VALVE AND SEAT****Features**

- Heat treated premium alloy steel.
- Easy replacement of insert with a minimum of down time.
- Long-lasting service life.





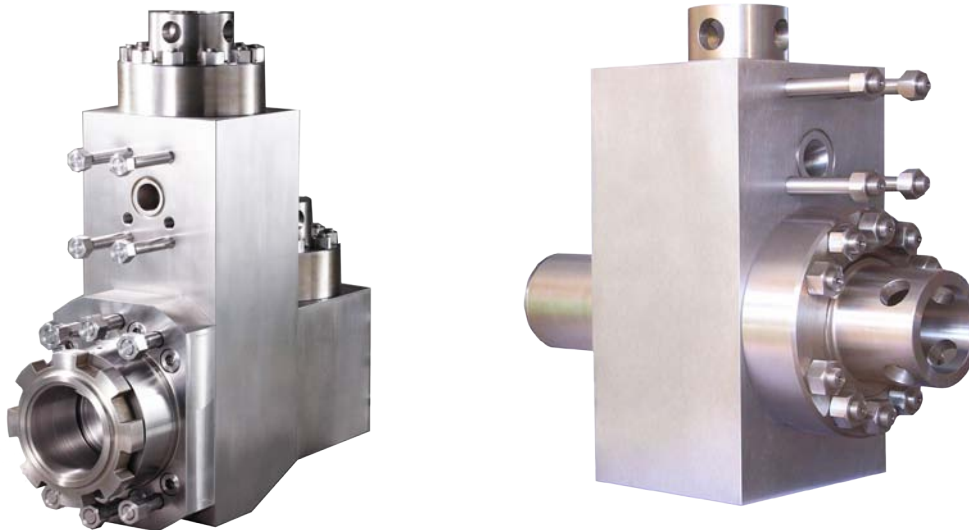
## INTRODUCTION

### FLUID END MODULES

Our high-strength, triple reduction, forged steel triplex fluid end modules are made from the highest alloy steel. Heat treated for long working life, they are machined to perfection and packaged for delivery with anticorrosion protection. The precision-made jewelry-like exterior finish reflects our superior quality.

#### Features

- Completely interchangeable with OEM.
- Premium-forged alloy steel.
- Made on CNC boring mills.
- Strict computer controlled heat treat procedures.
- Rigid inspection.
- Rated for all drilling operations up to 7,500 psi.



TSC Manufacturing and Supply LLC, 13788 West Road, Suite 100, Houston, Texas 77041, USA  
Tel: +1 832 456 3900 Fax: +1 832 456 3998 E-mail: sales@t-s-c.com

## INTRODUCTION

**FLUID END ACCESSORIES**

TSC's fluid end accessories are available for most of the popular triplex mud pumps. CNC machining renders these accessories uniformly dimensional and interchangeable with OEM. The perfect exterior surface reflects our superior quality.

**Associated items**

- Valve and cylinder head plug.
- Valve and cylinder head thread ring.
- Valve and cylinder head lock.
- Valve guide.
- Stud and nut.
- Specialty items.



## INTRODUCTION

### RUBBER & ELASTOMER PRODUCTS

- Extension rod seals.
- Valve guide bushings.
- Manifold O-ring.
- Baffle splash guards.



- Valve cover & cylinder head seals.
- Liner gaskets, wear plate gaskets.



Gaskets / Seals marked with an (\*) indicate that various elastomers may be available. Common offerings are –U for Urethane or –RF for Rubber/Fabric. Please check with your sales associate for detailed offerings.

TSC Manufacturing and Supply LLC, 13788 West Road, Suite 100, Houston, Texas 77041, USA  
Tel: +1 832 456 3900 Fax: +1 832 456 3998 E-mail: sales@t-s-c.com

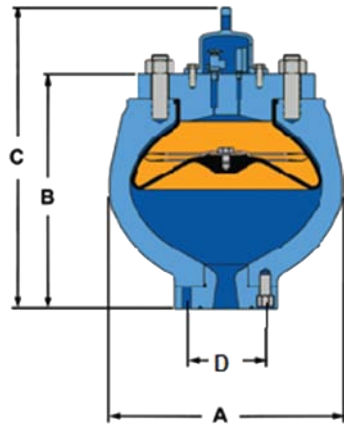
## INTRODUCTION

## PULSATION DAMPENERS

TSC offers a broad range of drilling and production spherical pulsation dampeners. Volumetric size range from 10 gallon to 20 gallon capacities and pressure range from 3000 psi to 7500 psi. The body of the TSC spherical pulsation dampeners is manufactured from a one piece steel forging, thereby eliminating the possibility of weld fatigue failure.

The one piece spherical design allows for high efficiency in a small volume and does not require addition structural support. The spherical design also offers much more piping flexibility than appendage style dampeners. Our proven stabilizer supported bladders offer superior life and reaction time in the most demanding applications.

## RANGE AND CONNECTION SIZE



Type	Volume (Gal)	Pressure (psi)	Weight (Lbs)	Dimensions(inch)			
				A	B	C	D
TS-3.0-K10	10	3000	950	23.75	22.68	29.44	9.50
TS-5.0-K10	10	5000	950	23.75	22.68	29.44	9.50
TS-3.0-K20	20	3000	2500	28.25	29.00	38.50	9.50
TS-5.0-K20	20	5000	2500	28.25	29.00	38.50	9.50
TS-7.5-K20	20	7500	2500	28.25	29.00	38.50	9.50

## INTRODUCTION

### PULSATION DAMPENERS

#### FEATURES

- Single piece forged body (with no circumferential welds), results in a stronger body and smoother inside surface.
- Inside surface machined to facilitate diaphragm movement.
- Field-replaceable top and bottom plates.
- Bottom plate connection to suit customer application.
- Diaphragms available in various materials to suit application requirements.
- Diaphragm equipped with stabilizer plate to eliminate folding and trapping of fluids, resulting in enhanced life.
- Nitrile (NBR), Hydrogenated Nitrile (HNBR), and Urethane diaphragms standard.
- Diaphragms can be replaced without removing the unit from the line.

**TSC MANUFACTURING AND SUPPLY, LLC.**  
**FLUID END EXPENDABLES**



TSC Manufacturing and Supply LLC, 13788 West Road, Suite 100, Houston, Texas 77041, USA  
Tel: +1 832 456 3900 Fax: +1 832 456 3998 E-mail: sales@t-s-c.com

## FLUID END EXPENDABLES

TSC Manufacturing and Supply, LLC is in no way affiliated with the companies listed in this parts book other than TSC. Reference to company names and company part numbers are for identification only and are not trademarks or tradenames used by or affiliated with TSC.

## FLUID END EXPENDABLES

TSC

WFU340

4-1/2 x 5

	LINERS		LINER GASKETS		PISTONS			PISTON RUBBERS
SIZE	PART NUMBER	PART NUMBER	URETHANE BONDED	RUBBER BONDED	N'DURALL BONDED	REPLACEABLE RUBBER	PART NUMBER	
3 1/2"	TS-0240-34HP	G-925C	LLU-34-K10	LL-34-K10		I-34-K10	TM-34-KR	
4"	TS-0240-40HP	G-925C	LLU-40-K10	LL-40-K10		I-40-K10	TM-40-KR	
4 1/2"	TS-0240-44Cr	G-925C	LLU-44-B10	LL-44-B10		I-44-B10	TM-44-BR	
PLUNGER	STUFFING BOX	ADJUSTING NUT	GLAND	ADAPTER	LUBE RING	WASHER	PACKING	
2 3/4"	TS-1717829-1	TS-1717740-2	TS-1717762-2	TS-1717782-2	TS-1717772-2	TS-1717792-2	TS-6400035	
3	TS-17179011	TS-1717902	TS-1712090	-	TS-1717331-2	TS-1717321-2	TS-6423002	
3 1/2"	TS-1717835-1	TS-1717741-2	TS-1717765-2	TS-1717785-2	TS-1717775-2	TS-1717795-2	TS-6400038	
4"	TS-1717837-1	TS-1717743-2	TS-1717767-2	TS-1717787-2	TS-1717777-2	TS-1717797-2	TS-6400040	
VALVES, SEATS, SPRINGS					GASKETS			
	4 WEB DESIGN	3 WEB DESIGN	FULL OPEN (1)	FULL OPEN (2)			PART NUMBER	
VALVE	-	-	TS-1575M	TS-4-V7	VALVE COVER GASKET		TS-1718265	
SEAT SUCTION	-	-	TS-1571M	TS-4-S17	CYLINDER HEAD GASKET		-	
SEAT DISCHARGE	-	-	TS-1572M	TS-4-S18	WEAR PLATE GASKET		-	
SUCTION SPRING	-	-	TS-1712211	TS-19000-6	EXTENSION ROD SEAL		SE02-0066-0089-13	
DISCHARGE SPRING	-	-	TS-1712206	TS-5710-118				
INSERT (Urethane)	-	-	TS-1577M	TS-4-FIA	EXTENSION ROD BAFFLE		TS-1717016	
PISTON ROD & EXTENSION ROD								
ROD CLAMP	PISTON ROD STUD	PISTON NUT	THREADED TYPE PISTON ROD	CLAMP TYPE PISTON ROD	SUB ROD	THREADED TYPE EXTENSION ROD	CLAMP TYPE EXTENSION ROD	
TM165-03-08	N/A	TM-NUT1		TM-165A	TM-165B	N/A	TM-165C	
FLUID END MODULE								
FLUID END MODULE				MODULE SEAL SET		STUDS & NUTS SET		
TS-171719612				TMWFU34-SEALKIT		TMWFU34-STUDSET		

TSC does not warrant or represent that any of such information is accurate, or that any products listed are compatible with each other. Any deviations from the OEM products should be verified as to compatibility.



## FLUID END EXPENDABLES

**TSC**

**WF400**

**5 x 8**

LINERS		LINER GASKETS	PISTONS				PISTON RUBBERS
SIZE	PART NUMBER	PART NUMBER	URETHANE BONDED	RUBBER BONDED	N'DURALL BONDED	REPLACEABLE RUBBER	PART NUMBER
3 1/2"	TS-0189-34HPA	G-266 *	-	-		I-34-K15	TM-34-KR
4"	TS-0189-40HPA	G-266 *	LLU-40-K15	LL-40-K15		I-40-K15	TM-40-KR
4 1/2"	TS-0189-44CrA	G-266 *	LLU-44-B15	LL-44-B15		I-44-B15	TM-44-BR
<b>BIG OD</b>							
4 1/2"	TS-0193-44HPA	G-266 *	LLU-44-B15	LL-44-B15		I-44-B15	TM-44-BR
5"	TS-0193-50CrA	G-266 *	LLU-50-B15	LL-50-B15		I-50-B15	TM-50-BR
<b>VALVES, SEATS, SPRINGS</b>					<b>GASKETS</b>		
	4 WEB DESIGN	3 WEB DESIGN	FULL OPEN (1)	FULL OPEN (2)			PART NUMBER
VALVE	-	TS-PJ-482A	-	TS-4-V1	<b>VALVE COVER GASKET</b>		G-799 *
SEAT	-	TS-PJ-451	-	TS-4-S5	<b>CYLINDER HEAD GASKET</b>		G-799 *
SPRING	-	TS-5710-33	-	TS-5710-33	<b>WEAR PLATE GASKET</b>		N/A
INSERT (Urethane)	-	TS-PJ-452	-	TS-4-FI	<b>EXTENSION ROD SEAL</b>		WF-2011872
INSERT (Rubber)	-	-	-	-	<b>EXTENSION ROD BAFFLE</b>		TS-5FXK840
<b>PISTON ROD &amp; EXTENSION ROD</b>							
ROD CLAMP	PISTON ROD STUD	PISTON NUT	THREADED TYPE PISTON ROD	CLAMP TYPE PISTON ROD	SUB ROD	THREADED TYPE EXTENSION ROD	CLAMP TYPE EXTENSION ROD
TMPZ9-03-08	N/A	TM-NUT	N/A	TM-193A	N/A	N/A	TMPZ8-01-06
<b>FLUID END MODULE</b>							
<b>FLUID END MODULE STUDDED</b>				<b>MODULE SEAL SET</b>		<b>STUDS &amp; NUTS SET</b>	
TS-200PJH029B				TMPAH-SEALKIT		TMPAH-STUDSET	

TSC does not warrant or represent that any of such information is accurate, or that any products listed are compatible with each other. Any deviations from the OEM products should be verified as to compatibility.

TSC Manufacturing and Supply LLC, 13788 West Road, Suite 100, Houston, Texas 77041, USA  
 Tel: +1 832 456 3900 Fax: +1 832 456 3998 E-mail: sales@t-s-c.com



**FLUID END EXPENDABLES**

**TSC**

**WFU450**

**6 x 8-1/2**

	LINERS		LINER GASKETS	PISTONS				PISTON RUBBERS
SIZE	PART NUMBER	PART NUMBER	URETHANE BONDED	RUBBER BONDED	N'DURALL BONDED	REPLACEABLE RUBBER	PART NUMBER	
3 1/2"	TS-0189-34HPA	G-266 *	-	-		I-34-K15	TM-34-KR	
4"	TS-0189-40HPA	G-266 *	LLU-40-K15	LL-40-K15		I-40-K15	TM-40-KR	
4 1/2"	TS-0189-44CrA	G-266 *	LLU-44-B15	LL-44-B15		I-44-B15	TM-44-BR	
<b>BIG OD</b>								
4 1/2"	TS-0193-44HPA	G-266 *	LLU-44-B15	LL-44-B15		I-44-B15	TM-44-BR	
5"	TS-0193-50CrA	G-266 *	LLU-50-B15	LL-50-B15		I-50-B15	TM-50-BR	
5 1/2"	TS-0193-54CrB	G-266B	LLU-54-B15	LL-54-B15		I-54-B15	TM-54-BR	
6"	TS-0193-60CrB	G-266B	LLU-60-B15	LL-60-B15		I-60-B15	TM-60-BR	
<b>VALVES, SEATS, SPRINGS</b>					<b>GASKETS</b>			
	4 WEB DESIGN	3 WEB DESIGN	FULL OPEN (1)	FULL OPEN (2)			PART NUMBER	
VALVE	-	TS-PJ-482	-	TS-4-V1	<b>VALVE COVER GASKET</b>		G-799 *	
SEAT	-	TS-PJ-451	-	TS-4-S5	<b>CYLINDER HEAD GASKET</b>		G-799 *	
SPRING	-	TS-5710-33	-	TS-5710-33	<b>WEAR PLATE GASKET</b>		N/A	
INSERT (Urethane)	-	TS-PJ-452	-	TS-4-FI	<b>EXTENSION ROD SEAL</b>		WF-2011872	
INSERT (Rubber)	-	-	-	-	<b>EXTENSION ROD BAFFLE</b>		TS-5FXK840	
<b>PISTON ROD &amp; EXTENSION ROD</b>								
ROD CLAMP	PISTON ROD STUD	PISTON NUT	THREADED TYPE PISTON ROD	CLAMP TYPE PISTON ROD	SUB ROD	THREADED TYPE EXTENSION ROD	CLAMP TYPE EXTENSION ROD	
TMPZ9-03-08	TM-5294	TM-NUT	TM-U400-AU	TM-193A	TM-U400-BU	-	TMPZ8-01-06	
<b>FLUID END MODULE</b>								
<b>FLUID END MODULE STUDED</b>				<b>MODULE SEAL SET</b>		<b>STUDS &amp; NUTS SET</b>		
TS-200PJH029BUS				TMPAH-SEALKIT		TMPAH-STUDSET		

TSC does not warrant or represent that any of such information is accurate, or that any products listed are compatible with each other. Any deviations from the OEM products should be verified as to compatibility.

TSC Manufacturing and Supply LLC, 13788 West Road, Suite 100, Houston, Texas 77041, USA  
 Tel: +1 832 456 3900 Fax: +1 832 456 3998 E-mail: sales@t-s-c.com

## FLUID END EXPENDABLES

**TSC**

**WWS500**

**5 x 8**

LINERS		LINER GASKETS	PISTONS				PISTON RUBBERS
SIZE	PART NUMBER	PART NUMBER	URETHANE BONDED	RUBBER BONDED	N'DURALL BONDED	REPLACEABLE RUBBER	PART NUMBER
3 1/2"	TS-0189-34HPA	G-266 *	-	-	-	I-34-K15	TM-34-KR
4"	TS-0189A-40HPA	G-266 *	LLU-40-K15	LL-40-K15	HPW-40-K15	I-40-K15	TM-40-KR
4 1/2"	TS-0189A-44CrA	G-266 *	LLU-44-B15	LL-44-B15	HPW-44-B15	I-44-B15	TM-44-BR
<b>BIG OD</b>							
4 1/2"	TS-0193-44HPA	G-266 *	LLU-44-B15	LL-44-B15	HPW-44-B15	I-44-B15	TM-44-BR
5"	TS-0193-50CrA	G-266 *	LLU-50-B15	LL-50-B15	HPW-50-B15	I-50-B15	TM-50-BR
<b>VALVES, SEATS, SPRINGS</b>					<b>GASKETS</b>		
	4 WEB DESIGN	3 WEB DESIGN	FULL OPEN (1)	FULL OPEN (2)			PART NUMBER
<b>VALVE</b>	-	TS-PJ-482	-	TS-4-V1	<b>VALVE COVER GASKET</b>		G-799 *
<b>SEAT</b>	-	TS-PJ-451	-	TS-4-S5	<b>CYLINDER HEAD GASKET</b>		G-799 *
<b>SPRING</b>	-	TS-5710-33	-	TS-5710-33	<b>WEAR PLATE GASKET</b>		N/A
<b>INSERT (Urethane)</b>	-	TS-PJ-452	-	TS-4-F1	<b>EXTENSION ROD SEAL</b>		WF-2011873
<b>INSERT (Rubber)</b>	-	-	-	-	<b>EXTENSION ROD BAFFLE</b>		TS-5FXK840
<b>PISTON ROD &amp; EXTENSION ROD</b>							
<b>ROD CLAMP</b>	<b>PISTON ROD STUD</b>	<b>PISTON NUT</b>	<b>THREADED TYPE PISTON ROD</b>	<b>CLAMP TYPE PISTON ROD</b>	<b>SUB ROD</b>	<b>THREADED TYPE EXTENSION ROD</b>	<b>CLAMP TYPE EXTENSION ROD</b>
TMPZ9-03-08	N/A	TM-NUT	N/A	TM-193A	N/A	N/A	TMPZ8-01-06
<b>FLUID END MODULE</b>							
<b>FLUID END MODULE STUDDED</b>				<b>MODULE SEAL SET</b>		<b>STUDS &amp; NUTS SET</b>	
TS-WWS500B				TMPAH-SEALKIT		TMPAH-STUDSET	

TSC does not warrant or represent that any of such information is accurate, or that any products listed are compatible with each other. Any deviations from the OEM products should be verified as to compatibility.

TSC Manufacturing and Supply LLC, 13788 West Road, Suite 100, Houston, Texas 77041, USA  
 Tel: +1 832 456 3900 Fax: +1 832 456 3998 E-mail: sales@t-s-c.com

## FLUID END EXPENDABLES

TSC

WF700

7 x 9

	LINERS		ZIRCONIA LINERS	LINER GASKETS	PISTONS				PISTON RUBBERS
SIZE	PART NUMBER	PART NUMBER	PART NUMBER	URETHANE BONDED	RUBBER BONDED	N'DURALL BONDED	REPLACEABLE RUBBER	PART NUMBER	
4"	TS-1191-40HP	TS-07493400	G-692 *	LLU-40-K15	LL-40-K15	HPW-40-K15	I-40-K15	TM-40-KR	
4 1/2"	TS-1191-44HP	TS-07493450	G-692 *	LLU-44-B15	LL-44-B15	HPW-44-B15	I-44-B15	TM-44-BR	
5"	TS-1191-50HP	TS-07493500	G-692 *	LLU-50-B15	LL-50-B15	HPW-50-B15	I-50-B15	TM-50-BR	
5 1/2"	TS-1191-54HP	TS-07493550	G-692 *	LLU-54-B15	LL-54-B15	HPW-54-B15	I-54-B15	TM-54-BR	
5 3/4"	TS-1191-56HP	TS-07493575	G-692 *	LLU-56-B15	LL-56-B15	HPW-56-B15	I-56-B15	TM-56-BR	
6"	TS-1191-60HP	TS-07493600	G-692 *	LLU-60-B15	LL-60-B15	HPW-60-B15	I-60-B15	TM-60-BR	
6 1/4"	TS-1191-62HP	TS-07493625	G-692 *	LLU-62-L15	LL-62-L15	HPW-62-L15	I-62-L15	TM-62-LR	
6 1/2"	TS-1191-64HP	TS-07493650	G-692 *	LLU-64-L15	LL-64-L15	HPW-64-L15	I-64-L15	TM-64-LR	
6 3/4"	TS-1191-66HP	TS-07493675	G-692 *	LLU-66-L15	LL-66-L15	HPW-66-L15	I-66-L15	TM-66-LR	
7"	TS-1191-70Cr		G-692 *	LLU-70-L15	LL-70-L15	HPW-70-L15	I-70-L15	TM-70-LR	
VALVES, SEATS, SPRINGS						GASKETS			
	4 WEB DESIGN	3 WEB DESIGN	FULL OPEN (1)	FULL OPEN (2)				PART NUMBER	
VALVE	TS-7-EEF	TS-202PZL482A	TS-0985M	TS-7-V1	VALVE COVER GASKET			G-749 *	
SEAT	TS-7-DDB1	TS-202PZL039	TS-1370M	TS-7-S1	CYLINDER HEAD GASKET			G-749 *	
SPRING	TS-5710-115	TS-78H44	-	TS-5710-115L	WEAR PLATE GASKET			G-758 *	
INSERT (Urethane)	TS-7-WI	TS-201PZL106	TS-7-MI	TS-7-FI	EXTENSION ROD SEAL			WF-2011872	
INSERT (Rubber)	TS-7-WR	TS-201107	-	-	EXTENSION ROD BAFFLE			TS-PZ840	
PISTON ROD & EXTENSION ROD									
ROD CLAMP	PISTON ROD STUD	PISTON NUT	THREADED TYPE PISTON ROD	CLAMP TYPE PISTON ROD	SUB ROD	THREADED TYPE EXTENSION ROD		CLAMP TYPE EXTENSION ROD	
TMPZ9-03-08	N/A	TM-NUT	TM-202	TM-191	N/A	TMPZ9-01-06T		WF063-103-06	
FLUID END MODULE									
FLUID END MODULE STUDED				MODULE SEAL SET		STUDS & NUTS SET			
TS-205PZL029D				TMPZ9-SEALKIT		TMPZ9-STUDSET			

TSC does not warrant or represent that any of such information is accurate, or that any products listed are compatible with each other. Any deviations from the OEM products should be verified as to compatibility.

TSC Manufacturing and Supply LLC, 13788 West Road, Suite 100, Houston, Texas 77041, USA  
 Tel: +1 832 456 3900 Fax: +1 832 456 3998 E-mail: sales@t-s-c.com

**FLUID END EXPENDABLES**

**TSC**

**WF1300B**

**7 x 10**

	LINERS	ZIRCONIA LINERS	LINER GASKETS	PISTONS				PISTON RUBBERS
SIZE	PART NUMBER	PART NUMBER	PART NUMBER	URETHANE BONDED	RUBBER BONDED	N'DURALL BONDED	REPLACEABLE RUBBER	PART NUMBER
4"	TS-0197-40HPA	TS-07496400A	G-692 *	LLU-40-K15	LL-40-K15	HPW-40-K15	I-40-K15	TM-40-KR
4 1/2"	TS-0197-44HPA	TS-07496450A	G-692 *	LLU-44-B15	LL-44-B15	HPW-44-B15	I-44-B15	TM-44-BR
5"	TS-0197-50HPA	TS-07496500A	G-692 *	LLU-50-B15	LL-50-B15	HPW-50-B15	I-50-B15	TM-50-BR
5 1/2"	TS-0197-54HPA	TS-07496550A	G-692 *	LLU-54-B15	LL-54-B15	HPW-54-B15	I-54-B15	TM-54-BR
5 3/4"	TS-0197-56HPA	TS-07496575A	G-692 *	LLU-56-B15	LL-56-B15	HPW-56-B15	I-56-B15	TM-56-BR
6"	TS-0197-60HPA	TS-07496600A	G-692 *	LLU-60-B15	LL-60-B15	HPW-60-B15	I-60-B15	TM-60-BR
6 1/4"	TS-0197-62HPA	TS-07496625A	G-692 *	LLU-62-L15	LL-62-L15	HPW-62-L15	I-62-L15	TM-62-LR
6 1/2"	TS-0197-64HPA	TS-07496650A	G-692 *	LLU-64-L15	LL-64-L15	HPW-64-L15	I-64-L15	TM-64-LR
6 3/4"	TS-0197-66HPA	TS-07496675A	G-692 *	LLU-66-L15	LL-66-L15	HPW-66-L15	I-66-L15	TM-66-LR
7"	TS-0197-70HPA	TS-07496700A	G-692 *	LLU-70-L15	LL-70-L15	HPW-70-L15	I-70-L15	TM-70-LR
VALVES, SEATS, SPRINGS						GASKETS		
	4 WEB DESIGN	3 WEB DESIGN	FULL OPEN (1)	FULL OPEN (2)				PART NUMBER
VALVE	TS-7-EEF	TS-202482	TS-0985M	TS-7-V1		VALVE COVER GASKET		G-798 *
SEAT	TS-7-DDB1	TS-202039	TS-1370M	TS-7-S1		CYLINDER HEAD GASKET		G-798 *
SPRING	TS-5710-115	-	-	TS-5710-115L		WEAR PLATE GASKET		G-758 *
INSERT (Urethane)	TS-7-WI	TS-201106	TS-7-MI	TS-7-FI		EXTENSION ROD SEAL		WF-2011872
INSERT (Rubber)	TS-7-WR	TS-201107	-	-		EXTENSION ROD BAFFLE		TS-PZ840
PISTON ROD & EXTENSION ROD								
ROD CLAMP	PISTON ROD STUD	PISTON NUT	THREADED TYPE PISTON ROD	CLAMP TYPE PISTON ROD	SUB ROD	THREADED TYPE EXTENSION ROD		CLAMP TYPE EXTENSION ROD
TMPZ11-03-08	N/A	TM-NUT	TM-201	TM-200	N/A	TMPZ11-01-06T		TMPZ11-01-06
FLUID END MODULE								
FLUID END MODULE STUDED				MODULE SEAL SET		STUDS & NUTS SET		
TS-202PZL029B				TMPZ11-SEALKIT		TMPZ11-STUDSET		

TSC does not warrant or represent that any of such information is accurate, or that any products listed are compatible with each other. Any deviations from the OEM products should be verified as to compatibility.

TSC Manufacturing and Supply LLC, 13788 West Road, Suite 100, Houston, Texas 77041, USA  
 Tel: +1 832 456 3900 Fax: +1 832 456 3998 E-mail: sales@t-s-c.com



## FLUID END EXPENDABLES

TSC

WF1300C

7 x 10

	LINERS	ZIRCONIA LINER	LINER GASKETS	PISTONS				PISTON RUBBERS
SIZE	PART NUMBER	PART NUMBER	PART NUMBER	URETHANE BONDED	RUBBER BONDED	N'DURALL BONDED	REPLACEABLE RUBBER	PART NUMBER
4"	TS-0148-40HPA	TS-07495400A	G-282 *	LLU-40-K15	LL-40-K15	HPW-40-K15	I-40-K15	TM-40-KR
4 1/2"	TS-0148-44HPA	TS-07495450A	G-282 *	LLU-44-B15	LL-44-B15	HPW-44-B15	I-44-B15	TM-44-BR
5"	TS-0148-50HPA	TS-07495500A	G-282 *	LLU-50-B15	LL-50-B15	HPW-50-B15	I-50-B15	TM-50-BR
5 1/2"	TS-0148-54HPA	TS-07495550A	G-282 *	LLU-54-B15	LL-54-B15	HPW-54-B15	I-54-B15	TM-54-BR
5 3/4"	TS-0148-56HPA	TS-07499575A	G-282 *	LLU-56-B15	LL-56-B15	HPW-56-B15	I-56-B15	TM-56-BR
6"	TS-0148-60HPA	TS-07495600A	G-282 *	LLU-60-B15	LL-60-B15	HPW-60-B15	I-60-B15	TM-60-BR
6 1/4"	TS-0148-62HPA	TS-07495625A	G-282 *	LLU-62-L15	LL-62-L15	HPW-62-L15	I-62-L15	TM-62-LR
6 1/2"	TS-0148-64HPA	TS-07495650A	G-282 *	LLU-64-L15	LL-64-L15	HPW-64-L15	I-64-L15	TM-64-LR
6 3/4"	TS-0148-66HPA	TS-07495675A	G-282 *	LLU-66-L15	LL-66-L15	HPW-66-L15	I-66-L15	TM-66-LR
7"	TS-0148-70CrA		G-282 *	LLU-70-L15	LL-70-L15	HPW-70-L15	I-70-L15	TM-70-LR
VALVES, SEATS, SPRINGS						GASKETS		
	4 WEB DESIGN	3 WEB DESIGN	FULL OPEN (1)	FULL OPEN (2)				PART NUMBER
VALVE	TS-6-EH	-	TS-0995M	TS-6-V1	VALVE COVER GASKET			G-740 *
SEAT	TS-6-ADDB6	-	TS-1380M	TS-6-S6	CYLINDER HEAD GASKET			G-282 *
SPRING	TS-5710-115	-	-	TS-5710-115L	WEAR PLATE GASKET			N/A
INSERT (Urethane)	TS-6-WI	-	TS-6-MI	TS-6-FI	EXTENSION ROD SEAL			TS-2011872
INSERT (Rubber)	-	-	-	-	EXTENSION ROD BAFFLE			TS-720-5803
PISTON ROD & EXTENSION ROD								
ROD CLAMP	PISTON ROD STUD	PISTON NUT	THREADED TYPE PISTON ROD	CLAMP TYPE PISTON ROD	SUB ROD	THREADED TYPE EXTENSION ROD		CLAMP TYPE EXTENSION ROD
TMP11-03-08	N/A	TM-NUT	N/A	TM-200	N/A	N/A		TMP11-01-06C
FLUID END MODULE								
FLUID END MODULE STUDED				MODULE SEAL SET		STUDS & NUTS SET		
TS-6999-0086-02				TMF10-SEALKIT		TMF10-STUDSET		

TSC does not warrant or represent that any of such information is accurate, or that any products listed are compatible with each other.  
Any deviations from the OEM products should be verified as to compatibility.

TSC Manufacturing and Supply LLC, 13788 West Road, Suite 100, Houston, Texas 77041, USA  
Tel: +1 832 456 3900 Fax: +1 832 456 3998 E-mail: sales@t-s-c.com

**FLUID END EXPENDABLES**

**TSC**

**WF1600**

**7 x 12**

	LINERS	ZIRCONIA LINERS	LINER GASKETS	PISTONS				PISTON RUBBERS
SIZE	PART NUMBER	PART NUMBER	PART NUMBER	URETHANE BONDED	RUBBER BONDED	N'DURALL BONDED	REPLACEABLE RUBBER	PART NUMBER
4"	TS-2145-40HP	TS-07499400	G-800 *	LLU-40-K15	LL-40-K15	HPW-40-K15	I-40-K15	TM-40-KR
4 1/2"	TS-2145-44HP	TS-07499450	G-800 *	LLU-44-B15	LL-44-B15	HPW-44-B15	I-44-B15	TM-44-BR
5"	TS-2145-50HP	TS-07499500	G-800 *	LLU-50-B15	LL-50-B15	HPW-50-B15	I-50-B15	TM-50-BR
5 1/2"	TS-2145-54HP	TS-07499550	G-800 *	LLU-54-B15	LL-54-B15	HPW-54-B15	I-54-B15	TM-54-BR
5 3/4"	TS-2145-56HP	TS-07499575	G-800 *	LLU-56-B15	LL-56-B15	HPW-56-B15	I-56-B15	TM-56-BR
6"	TS-2145-60HP	TS-07499600	G-800 *	LLU-60-B15	LL-60-B15	HPW-60-B15	I-60-B15	TM-60-BR
6 1/4"	TS-2145-62HP	TS-07499625	G-800 *	LLU-62-L15	LL-62-L15	HPW-62-L15	I-62-L15	TM-62-LR
6 1/2"	TS-2145-64HP	TS-07499650	G-800 *	LLU-64-L15	LL-64-L15	HPW-64-L15	I-64-L15	TM-64-LR
6 3/4"	TS-2145-66HP	TS-07499675	G-800 *	LLU-66-L15	LL-66-L15	HPW-66-L15	I-66-L15	TM-66-LR
7"	TS-2145-70HP	TS-07499700	G-800 *	LLU-70-L15	LL-70-L15	HPW-70-L15	I-70-L15	TM-70-LR
VALVES, SEATS, SPRINGS						GASKETS		
	4 WEB DESIGN	3 WEB DESIGN	FULL OPEN (1)	FULL OPEN (2)				PART NUMBER
VALVE	TS-7-EEF	TS-202482	TS-0995M	TS-7-V1		VALVE COVER GASKET		G-741 *
SEAT	TS-7-DDB1	TS-202039	TS-1380M	TS-7-S1		CYLINDER HEAD GASKET		G-801 *
SPRING	TS-5710-115	-	-	TS-5710-115L		WEAR PLATE GASKET		G-800 *
INSERT (Urethane)	TS-7-WI	TS-201106	TS-7-MI	TS-7-FI		EXTENSION ROD SEAL		TE02030601-03-11
INSERT (Rubber)	TS-7-WR	TS-201107	-	-		EXTENSION ROD BAFFLE		TE02030601-03-06-DAD
PISTON ROD & EXTENSION ROD								
ROD CLAMP	PISTON ROD STUD	PISTON NUT	THREADED TYPE PISTON ROD	CLAMP TYPE PISTON ROD	SUB ROD	THREADED TYPE EXTENSION ROD		CLAMP TYPE EXTENSION ROD
TMFB6-03-08	N/A	TM-NUT	N/A	TM-2145	N/A	N/A		WF130-103-030
FLUID END MODULE								
FLUID END MODULE STUDED				MODULE SEAL SET		STUDS & NUTS SET		
TS-6316-0357-00				TMFB6-SEALKIT		TMFB6-STUDSET		

TSC does not warrant or represent that any of such information is accurate, or that any products listed are compatible with each other. Any deviations from the OEM products should be verified as to compatibility.

TSC Manufacturing and Supply LLC, 13788 West Road, Suite 100, Houston, Texas 77041, USA  
 Tel: +1 832 456 3900 Fax: +1 832 456 3998 E-mail: sales@t-s-c.com

**FLUID END EXPENDABLES**

**TSC**

**WF1600L**

**7 x 11**

	LINERS	ZIRCONIA LINERS	LINER GASKETS	PISTONS				PISTON RUBBERS
SIZE	PART NUMBER	PART NUMBER	PART NUMBER	URETHANE BONDED	RUBBER BONDED	N'DURALL BONDED	REPLACEABLE RUBBER	PART NUMBER
4"	TS-0197-40HPA	TS-07496400A	G-692 *	LLU-40-K15	LL-40-K15	HPW-40-K15	I-40-K15	TM-40-KR
4 1/2"	TS-0197-44HPA	TS-07496450A	G-692 *	LLU-44-B15	LL-44-B15	HPW-44-B15	I-44-B15	TM-44-BR
5"	TS-0197-50HPA	TS-07496500A	G-692 *	LLU-50-B15	LL-50-B15	HPW-50-B15	I-50-B15	TM-50-BR
5 1/2"	TS-0197-54HPA	TS-07496550A	G-692 *	LLU-54-B15	LL-54-B15	HPW-54-B15	I-54-B15	TM-54-BR
5 3/4"	TS-0197-56HPA	TS-07496575A	G-692 *	LLU-56-B15	LL-56-B15	HPW-56-B15	I-56-B15	TM-56-BR
6"	TS-0197-60HPA	TS-07496600A	G-692 *	LLU-60-B15	LL-60-B15	HPW-60-B15	I-60-B15	TM-60-BR
6 1/4"	TS-0197-62HPA	TS-07496625A	G-692 *	LLU-62-L15	LL-62-L15	HPW-62-L15	I-62-L15	TM-62-LR
6 1/2"	TS-0197-64HPA	TS-07496650A	G-692 *	LLU-64-L15	LL-64-L15	HPW-64-L15	I-64-L15	TM-64-LR
6 3/4"	TS-0197-66HPA	TS-07496675A	G-692 *	LLU-66-L15	LL-66-L15	HPW-66-L15	I-66-L15	TM-66-LR
7"	TS-0197-70HPA	TS-07496700A	G-692 *	LLU-70-L15	LL-70-L15	HPW-70-L15	I-70-L15	TM-70-LR
VALVES, SEATS, SPRINGS						GASKETS		
	4 WEB DESIGN	3 WEB DESIGN	FULL OPEN (1)	FULL OPEN (2)				PART NUMBER
VALVE	TS-7-EEF	TS-202482	TS-0985M	TS-7-V1	VALVE COVER GASKET			G-798 *
SEAT	TS-7-DDB1	TS-202039	TS-1370M	TS-7-S1	CYLINDER HEAD GASKET			G-798 *
SPRING	TS-5710-115	-	-	TS-5710-115L	WEAR PLATE GASKET			G-758 *
INSERT (Urethane)	TS-7-WI	TS-201106	TS-7-MI	TS-7-FI	EXTENSION ROD SEAL			-
INSERT (Rubber)	TS-7-WR	TS-201107	-	-	EXTENSION ROD BAFFLE			TS-720-8503
PISTON ROD & EXTENSION ROD								
ROD CLAMP	PISTON ROD STUD	PISTON NUT	THREADED TYPE PISTON ROD	CLAMP TYPE PISTON ROD	SUB ROD	THREADED TYPE EXTENSION ROD		CLAMP TYPE EXTENSION ROD
TMP11-03-08	N/A	TM-NUT	N/A	TM-200	N/A	N/A		TE02030503-03-05-DAD
FLUID END MODULE								
FLUID END MODULE STUDDED				MODULE SEAL SET		STUDS & NUTS SET		
TS-202PZL029B				TMPZ11-SEALKIT		TMPZ11-STUDSET		

TSC does not warrant or represent that any of such information is accurate, or that any products listed are compatible with each other. Any deviations from the OEM products should be verified as to compatibility.

TSC Manufacturing and Supply LLC, 13788 West Road, Suite 100, Houston, Texas 77041, USA  
 Tel: +1 832 456 3900 Fax: +1 832 456 3998 E-mail: sales@t-s-c.com



**FLUID END EXPENDABLES**

**TSC**

**WF1600LH (7500 PSI)**

**7 x 11**

	LINERS	ZIRCONIA LINERS	LINER GASKETS	PISTONS				PISTON RUBBERS
SIZE	PART NUMBER	PART NUMBER	PART NUMBER	URETHANE BONDED	RUBBER BONDED	N'DURALL BONDED	REPLACEABLE RUBBER	PART NUMBER
4 1/2"	TS-1197-44HP	TS-07466400	G-756	LLU-44-B15	LL-44-B15	HPW-44-B15	I-44-B15	TM-44-BR
5"	TS-1197-50HP	TS-07466450	G-756	LLU-50-B15	LL-50-B15	HPW-50-B15	I-50-B15	TM-50-BR
5 1/2"	TS-1197-54HP	TS-07466500	G-756	LLU-54-B15	LL-54-B15	HPW-54-B15	I-54-B15	TM-54-BR
5 3/4"	TS-1197-56HP	TS-07466550	G-756	LLU-56-B15	LL-56-B15	HPW-56-B15	I-56-B15	TM-56-BR
6"	TS-1197-60HP	TS-07466575	G-756	LLU-60-B15	LL-60-B15	HPW-60-B15	I-60-B15	TM-60-BR
6 1/4"	TS-1197-62HP	TS-07466600	G-757	LLU-62-L15	LL-62-L15	HPW-62-L15	I-62-L15	TM-62-LR
6 1/2"	TS-1197-64HP	TS-07466625	G-757	LLU-64-L15	LL-64-L15	HPW-64-L15	I-64-L15	TM-64-LR
6 3/4"	TS-1197-66HP	TS-07466650	G-757	LLU-66-L15	LL-66-L15	HPW-66-L15	I-66-L15	TM-66-LR
7"	TS-1197-70HP	TS-07466675		LLU-70-L15	LL-70-L15	HPW-70-L15	I-70-L15	TM-70-LR
<b>VALVES, SEATS, SPRINGS</b>						<b>TS-07466700</b>		
	4 WEB DESIGN		3 WEB DESIGN	FULL OPEN (1)	FULL OPEN (2)			PART NUMBER
VALVE	TS-6-EH		-	TS-1560995	TS-6-V1		<b>VALVE COVER GASKET</b>	TS-309PZL316
SEAT	TS-6-ADDB6		-	TS-1561380	TS-6-S6		<b>CYLINDER HEAD GASKET</b>	TS-309PZL316
SPRING	TS-5710-115		-	-	TS-5710-115		<b>WEAR PLATE GASKET</b>	TS-316PZL316
INSERT (Urethane)	TS-6-WI		-	TS-6-MI	TS-6-FI		<b>EXTENSION ROD SEAL</b>	TS-2011872
INSERT (Rubber)	TS-6-WR		-	-	TS-6-FR		<b>EXTENSION ROD BAFFLE</b>	TS-PZ840
<b>PISTON ROD &amp; EXTENSION ROD</b>								
ROD CLAMP	2-PIECE PISTON ROD STUD	PISTON NUT	2-PIECE THREADED TYPE PISTON ROD	CLAMP TYPE PISTON ROD	2-PIECE SUB ROD		THREADED TYPE EXTENSION ROD	CLAMP TYPE EXTENSION ROD
TMPZ11-03-08	TS-PP1005294	TM-NUT	TS-PP1005290	TM-200	TS-PP1005292		-	TMPZ11-01-06
<b>FLUID END MODULE</b>								
<b>FLUID END MODULE STUDDED</b>				<b>MODULE SEAL SET</b>		<b>STUDS &amp; NUTS SET</b>		
TS-300PZL2039OE				TMPZ11HP-SEALKIT		TMPZ11HP-STUDSSET		

TSC does not warrant or represent that any of such information is accurate, or that any products listed are compatible with each other. Any deviations from the OEM products should be verified as to compatibility.

TSC Manufacturing and Supply LLC, 13788 West Road, Suite 100, Houston, Texas 77041, USA  
 Tel: +1 832 456 3900 Fax: +1 832 456 3998 E-mail: sales@t-s-c.com

## FLUID END EXPENDABLES

TSC

WF1600BH (7500 PSI)

7-1/2 x 12

	LINERS	ZIRCONIA LINERS	LINER GASKETS	PISTONS				PISTON RUBBERS
SIZE	PART NUMBER	PART NUMBER	PART NUMBER	URETHANE BONDED	RUBBER BONDED	N'DURALL BONDED	REPLACEABLE RUBBER	PART NUMBER
4"	TS-0259-40HP	TS-07466400	-	LLU-40-K15	LL-40-K15	HPW-40-K15	I-40-K15	TM-40-KR
4 1/2"	TS-0259-44HP	TS-07466450	G-265 *	LLU-44-B15	LL-44-B15	HPW-44-B15	I-44-B15	TM-44-BR
5"	TS-0259-50HP	TS-07466500	G-265 *	LLU-50-B15	LL-50-B15	HPW-50-B15	I-50-B15	TM-50-BR
5 1/2"	TS-0259-54HP	TS-07466550	G-263 *	LLU-54-B15	LL-54-B15	HPW-54-B15	I-54-B15	TM-54-BR
5 3/4"	TS-0259-56HP	TS-07466575	-	LLU-56-B15	LL-56-B15	HPW-56-B15	I-56-B15	TM-56-BR
6"	TS-0259-60HP	TS-07466600	G-261 *	LLU-60-B15	LL-60-B15	HPW-60-B15	I-60-B15	TM-60-BR
6 1/4"	TS-0259-62HP	TS-07466625	G-283 *	LLU-62-L15	LL-62-L15	HPW-62-L15	I-62-L15	TM-62-LR
6 1/2"	TS-0259-64HP	TS-07466650	G-284 *	LLU-64-L15	LL-64-L15	HPW-64-L15	I-64-L15	TM-64-LR
6 3/4"	TS-0259-66HP	TS-07466675	G-287 *	LLU-66-L15	LL-66-L15	HPW-66-L15	I-66-L15	TM-66-LR
7"	TS-0259-70HP	TS-07466700	G-285 *	LLU-70-L15	LL-70-L15	HPW-70-L15	I-70-L15	TM-70-LR
VALVES, SEATS, SPRINGS						GASKETS		
	4 WEB DESIGN	3 WEB DESIGN	FULL OPEN (1)	FULL OPEN (2)				PART NUMBER
VALVE	TS-7-EEF	-	TS-0985M	TS-7-V1	VALVE COVER GASKET			TS-SWP129
SEAT	TS-7-DDB12	-	TS-1440M	TS-7-S12	CYLINDER HEAD GASKET			-
SPRING	TS-5710-115	-	-	TS-5710-115L	WEAR PLATE GASKET			TS-1290344
INSERT (Urethane)	TS-7-WI	-	TS-7-MI	TS-7-FI	EXTENSION ROD SEAL			TE02030601-03-11
INSERT (Rubber)	TS-7-WR	-	-	-	EXTENSION ROD BAFFLE			TE02030601-03-06-DAD
PISTON ROD & EXTENSION ROD								
ROD CLAMP	PISTON ROD STUD	PISTON NUT	THREADED TYPE PISTON ROD	CLAMP TYPE PISTON ROD	SUB ROD	THREADED TYPE EXTENSION ROD		CLAMP TYPE EXTENSION ROD
TM12P-03-08	N/A	TM-NUT	N/A	TM-258-A	TM-258-B	N/A		WF130-103-030(B)
FLUID END MODULE								
SUCTION MODULE STUDDER		DISCHARGE MODULE STUDDER		MODULE SEAL SET		STUDS & NUTS SET		
TS-80704001		TS-80704000		TM12PHPM-SEALKIT		TM12PHPM-STUDSETD TM12PHPM-STUDSETS		

TSC does not warrant or represent that any of such information is accurate, or that any products listed are compatible with each other.  
Any deviations from the OEM products should be verified as to compatibility.

TSC Manufacturing and Supply LLC, 13788 West Road, Suite 100, Houston, Texas 77041, USA  
Tel: +1 832 456 3900 Fax: +1 832 456 3998 E-mail: sales@t-s-c.com

## FLUID END EXPENDABLES

**TSC**

**WF2000 (7500 PSI)**

**7-1/2 x 12**

LINERS		ZIRCONIA LINERS	LINER GASKETS	PISTONS				PISTON RUBBERS
SIZE	PART NUMBER	PART NUMBER	PART NUMBER	URETHANE BONDED	RUBBER BONDED	N'DURALL BONDED	REPLACEABLE RUBBER	PART NUMBER
4"	TS-0259-40HP	TS-07466400	-	LLU-40-K15	LL-40-K15	HPW-40-K15	I-40-K15	TM-40-KR
4 1/2"	TS-0259-44HP	TS-07466450	G-265 *	LLU-44-B15	LL-44-B15	HPW-44-B15	I-44-B15	TM-44-BR
5"	TS-0259-50HP	TS-07466500	G-265 *	LLU-50-B15	LL-50-B15	HPW-50-B15	I-50-B15	TM-50-BR
5 1/2"	TS-0259-54HP	TS-07466550	G-263 *	LLU-54-B15	LL-54-B15	HPW-54-B15	I-54-B15	TM-54-BR
5 3/4"	TS-0259-56HP	TS-07466575	-	LLU-56-B15	LL-56-B15	HPW-56-B15	I-56-B15	TM-56-BR
6"	TS-0259-60HP	TS-07466600	G-261 *	LLU-60-B15	LL-60-B15	HPW-60-B15	I-60-B15	TM-60-BR
6 1/4"	TS-0259-62HP	TS-07466625	G-283 *	LLU-62-L15	LL-62-L15	HPW-62-L15	I-62-L15	TM-62-LR
6 1/2"	TS-0259-64HP	TS-07466650	G-284 *	LLU-64-L15	LL-64-L15	HPW-64-L15	I-64-L15	TM-64-LR
6 3/4"	TS-0259-66HP	TS-07466675	G-287 *	LLU-66-L15	LL-66-L15	HPW-66-L15	I-66-L15	TM-66-LR
7"	TS-0259-70HP	TS-07466700	G-285 *	LLU-70-L15	LL-70-L15	HPW-70-L15	I-70-L15	TM-70-LR
VALVES, SEATS, SPRINGS						GASKETS		
	4 WEB DESIGN	3 WEB DESIGN	FULL OPEN (1)	FULL OPEN (2)				PART NUMBER
VALVE	TS-7-EEF	-	TS-0985M	TS-7-V1	VALVE COVER GASKET			TS-SWP129
SEAT	TS-7-DDB12	-	TS-1440M	TS-7-S12	CYLINDER HEAD GASKET			-
SPRING	TS-5710-115	-	-	TS-5710-115L	WEAR PLATE GASKET			TS-1290344
INSERT (Urethane)	TS-7-WI	-	TS-7-MI	TS-7-FI	EXTENSION ROD SEAL			TE02030601-03-11
INSERT (Rubber)	TS-7-WR	-	-	-	EXTENSION ROD BAFFLE			TE02030601-03-06-DAD
PISTON ROD & EXTENSION ROD								
ROD CLAMP	PISTON ROD STUD	PISTON NUT	THREADED TYPE PISTON ROD	CLAMP TYPE PISTON ROD	SUB ROD	THREADED TYPE EXTENSION ROD		CLAMP TYPE EXTENSION ROD
TM12P-03-08	N/A	TM-NUT	N/A	TM-258-A	TM-258-B	N/A		TE02030601-03-05-DAD
FLUID END MODULE								
SUCTION MODULE STUDDER		DISCHARGE MODULE STUDDER		MODULE SEAL SET		STUDS & NUTS SET		
TS-80704001		TS-80704000		TM12PHPM-SEALKIT		TM12PHPM-STUDSETD TM12PHPM-STUDSETS		

TSC does not warrant or represent that any of such information is accurate, or that any products listed are compatible with each other. Any deviations from the OEM products should be verified as to compatibility.

TSC Manufacturing and Supply LLC, 13788 West Road, Suite 100, Houston, Texas 77041, USA  
Tel: +1 832 456 3900 Fax: +1 832 456 3998 E-mail: sales@t-s-c.com



**FLUID END EXPENDABLES**

**TSC**

**WF2200**

**9 x 14**

	LINERS	ZIRCONIA LINERS	LINER GASKETS	PISTONS				PISTON RUBBERS
SIZE	PART NUMBER	PART NUMBER	PART NUMBER	URETHANE BONDED	RUBBER BONDED	N'DURALL BONDED	REPLACEABLE RUBBER	PART NUMBER
5"	TS-0260-50HP	TS-07545500	G-265 *	LLU-50-B15	LL-50-B15	HPW-50-B15	I-50-B15	TM-50-BR
5 1/2"	TS-0260-54HP	TS-07545550	G-263 *	LLU-54-B15	LL-54-B15	HPW-54-B15	I-54-B15	TM-54-BR
5 3/4"	TS-0260-56HP		-	LLU-56-B15	LL-56-B15	HPW-56-B15	I-56-B15	TM-56-BR
6 "	TS-0260-60HP	TS-07545600	G-261 *	LLU-60-B15	LL-60-B15	HPW-60-B15	I-60-B15	TM-60-BR
6 1/4"	TS-0260-62HP	TS-07545625	G-283 *	LLU-62-L15	LL-62-L15	HPW-62-L15	I-62-L15	TM-62-LR
6 1/2"	TS-0260-64HP	TS-07545650	G-284 *	LLU-64-L15	LL-64-L15	HPW-64-L15	I-64-L15	TM-64-LR
6 3/4"	TS-0260-66HP	TS-07545675	G-287 *	LLU-66-L15	LL-66-L15	HPW-66-L15	I-66-L15	TM-66-LR
7"	TS-0260-70HP	TS-07545700	G-285 *	LLU-70-L15	LL-70-L15	HPW-70-L15	I-70-L15	TM-70-LR
7 1/4"	TS-0260-72HP	TS-07545725		LLU-72-L15	LL-72-L15	HPW-72-L15	I-72-L15	TM-72-LR
7 1/2"	TS-0260-74HP	TS-07545750		LLU-74-L15	LL-74-L15	HPW-74-L15	I-74-L15	TM-74-LR
VALVES, SEATS, SPRINGS						GASKETS		
	4 WEB DESIGN	3 WEB DESIGN	FULL OPEN (1)	FULL OPEN (2)		PART NUMBER		
VALVE	TS-U5B-23	-	TS-0965M	TS-8-V2	VALVE COVER GASKET	TS-1540163		
SEAT	TS-8-DDB7	-	TS-1410M	TS-8-S7	CYLINDER HEAD GASKET	-		
SPRING	-	-	-	TS-1560702	WEAR PLATE GASKET	TS-1295257		
INSERT (Urethane)	TS-8-WI	-	TS-8-MI	TS-8-FI	EXTENSION ROD SEAL	-		
INSERT (Rubber)	TS-8-WR	-	-	-	EXTENSION ROD BAFFLE	TS-129-2194		
PISTON ROD & EXTENSION ROD								
ROD CLAMP	PISTON ROD STUD	PISTON NUT	THREADED TYPE PISTON ROD	CLAMP TYPE PISTON ROD	SUB ROD	THREADED TYPE EXTENSION ROD	CLAMP TYPE EXTENSION ROD	
TS-1295085	N/A	TM-NUT	N/A	TM-1295147	TS-1295146	N/A	TS-1295083	
FLUID END MODULE								
SUCTION MODULE STUDD		DISCHARGE MODULE STUDD		MODULE SEAL SET		STUDS & NUTS SET		
TS-1295243		TS-1295240		TM14P-SEALKIT		TM14P-STUDSETD TM14P-STUDSETS		

TSC does not warrant or represent that any of such information is accurate, or that any products listed are compatible with each other. Any deviations from the OEM products should be verified as to compatibility.

TSC Manufacturing and Supply LLC, 13788 West Road, Suite 100, Houston, Texas 77041, USA  
Tel: +1 832 456 3900 Fax: +1 832 456 3998 E-mail: sales@t-s-c.com

TSC Manufacturing and Supply LLC, 13788 West Road, Suite 100, Houston, Texas 77041, USA  
Tel: +1 832 456 3900 Fax: +1 832 456 3998 E-mail: sales@t-s-c.com

## FLUID END EXPENDABLES

EMSCO		F-350				6-3/4 x 7	
	LINERS	LINER GASKETS	PISTONS				PISTON RUBBER
SIZE	PART NUMBER	PART NUMBER	URETHANE BONDED	RUBBER BONDED	N'DURALL BONDED	REPLACEABLE RUBBER	PART NUMBER
4"	TS-0146-40HP	G-281 *	LLU-40-K10	LL-40-K10	HPW-40-K10	I-40-K10	TM-40-KR
4 1/2"	TS-0146-44HP	G-281 *	LLU-44-B10	LL-44-B10	HPW-44-B10	I-44-B10	TM-44-BR
5"	TS-0146-50HP	G-281 *	LLU-50-B10	LL-50-B10	HPW-50-B10	I-50-B10	TM-50-BR
5 1/2"	TS-0146-54HP	G-281 *	LLU-54-B10	LL-54-B10	HPW-54-B10	I-54-B10	TM-54-BR
5 3/4"	TS-0146-56HP	G-281 *	LLU-56-B10	LL-56-B10	HPW-56-B10	I-56-B10	TM-56-BR
6"	TS-0146-60HP	G-281 *	LLU-60-B10	LL-60-B10	HPW-60-B10	I-60-B10	TM-60-BR
6 1/4"	TS-0146-62HP	G-281 *	LLU-62-L10	LL-62-L10	HPW-62-L10	I-62-L10	TM-62-LR
6 1/2"	TS-0146-64HP	G-281 *	LLU-64-L10	LL-64-L10	HPW-64-L10	I-64-L10	TM-64-LR
6 3/4"	TS-0146-66Cr	G-281 *	LLU-66-L10	LL-66-L10	HPW-66-L10	I-66-L10	TM-66-LR
VALVES, SEATS, SPRINGS					GASKETS		
	4 WEB DESIGN	3 WEB DESIGN	FULL OPEN (1)	FULL OPEN (2)		PART NUMBER	
VALVE	TS-5-M5B5	-	-	TS-5-V1	VALVE COVER GASKET	G-733 *	
SEAT	TS-5-DDB1	-	-	TS-5-S1	CYLINDER HEAD GASKET	G-281 *	
SPRING	TS-5710-111	-	-	TS-5710-111	WEAR PLATE GASKET	N/A	
INSERT (Urethane)	TS-5-WI	-	-	TS-5-FI	EXTENSION ROD SEAL	-	
INSERT (Rubber)	-	-	-	-	EXTENSION ROD BAFFLE	-	
PISTON ROD & EXTENSION ROD							
ROD CLAMP	PISTON ROD STUD	PISTON NUT	THREADED TYPE PISTON ROD	CLAMP TYPE PISTON ROD	SUB ROD	THREADED TYPE EXTENSION ROD	CLAMP TYPE EXTENSION ROD
TMF05-03-08	N/A	TM-NUT1	N/A	TM-147	N/A	N/A	TMF05-01-06
FLUID END MODULE							
FLUID END MODULE STUDED				MODULE SEAL SET		STUDS & NUTS SET	
TS-6318-0151-00				TMF05-SEALKIT		TMF05-STUDSET	

TSC does not warrant or represent that any of such information is accurate, or that any products listed are compatible with each other.  
Any deviations from the OEM products should be verified as to compatibility.

**FLUID END EXPENDABLES**

**EMSCO**

**F-500**

**6-3/4 x 7-1/2**

LINERS		LINER GASKETS	PISTONS				PISTON RUBBER
SIZE	PART NUMBER	PART NUMBER	URETHANE BONDED	RUBBER BONDED	N'DURALL BONDED	REPLACEABLE RUBBER	PART NUMBER
4"	TS-0146-40HP	G-281 *	LLU-40-K10	LL-40-K10	HPW-44-K10	I-40-K10	TM-40-KR
4 1/2"	TS-0146-44HP	G-281 *	LLU-44-B10	LL-44-B10	HPW-44-B10	I-44-B10	TM-44-BR
5"	TS-0146-50HP	G-281 *	LLU-50-B10	LL-50-B10	HPW-50-B10	I-50-B10	TM-50-BR
5 1/2"	TS-0146-54HP	G-281 *	LLU-54-B10	LL-54-B10	HPW-54-B10	I-54-B10	TM-54-BR
5 3/4"	TS-0146-56HP	G-281 *	LLU-56-B10	LL-56-B10	HPW-56-B10	I-56-B10	TM-56-BR
6"	TS-0146-60HP	G-281 *	LLU-60-B10	LL-60-B10	HPW-60-B10	I-60-B10	TM-60-BR
6 1/4"	TS-0146-62HP	G-281 *	LLU-62-L10	LL-62-L10	HPW-62-L10	I-62-L10	TM-62-LR
6 1/2"	TS-0146-64HP	G-281 *	LLU-64-L10	LL-64-L10	HPW-64-L10	I-64-L10	TM-64-LR
6 3/4"	TS-0146-66Cr	G-281 *	LLU-66-L10	LL-66-L10	HPW-66-L10	I-66-L10	TM-66-LR
VALVES, SEATS, SPRINGS					GASKETS		
	4 WEB DESIGN	3 WEB DESIGN	FULL OPEN (1)	FULL OPEN (2)			PART NUMBER
VALVE	TS-5-M5B5	-	-	TS-5-V1	VALVE COVER GASKET		G-733 *
SEAT	TS-5-DDB1	-	-	TS-5-S1	CYLINDER HEAD GASKET		G-281 *
SPRING	TS-5710-111	-	-	TS-5710-111	WEAR PLATE GASKET		N/A
INSERT (Urethane)	TS-5-WI	-	-	TS-5-FI	EXTENSION ROD SEAL		-
INSERT (Rubber)	-	-	-	-	EXTENSION ROD BAFFLE		-
PISTON ROD & EXTENSION ROD							
ROD CLAMP	PISTON ROD STUD	PISTON NUT	THREADED TYPE PISTON ROD	CLAMP TYPE PISTON ROD	SUB ROD	THREADED TYPE EXTENSION ROD	CLAMP TYPE EXTENSION ROD
TMF05-03-08	N/A	TM-NUT1	N/A	TM-146	N/A	N/A	TMF05-01-06
FLUID END MODULE							
FLUID END MODULE STUDED				MODULE SEAL SET		STUDS & NUTS SET	
TS-6318-0151-00				TMF05-SEALKIT		TMF05-STUDSET	

TSC does not warrant or represent that any of such information is accurate, or that any products listed are compatible with each other. Any deviations from the OEM products should be verified as to compatibility.

TSC Manufacturing and Supply LLC, 13788 West Road, Suite 100, Houston, Texas 77041, USA  
 Tel: +1 832 456 3900 Fax: +1 832 456 3998 E-mail: sales@t-s-c.com

**FLUID END EXPENDABLES**

**EMSCO**

**F-650**

**6-3/4 x 8**

LINERS		LINER GASKETS	PISTONS				PISTON RUBBER
SIZE	PART NUMBER	PART NUMBER	URETHANE BONDED	RUBBER BONDED	N'DURALL BONDED	REPLACEABLE RUBBER	PART NUMBER
4"	TS-0146-40HP	G-281 *	LLU-40-K15	LL-40-K15	HPW-40-K15	I-40-K15	TM-40-KR
4 1/2"	TS-0146-44HP	G-281 *	LLU-44-B15	LL-44-B15	HPW-44-B15	I-44-B15	TM-44-BR
5"	TS-0146-50HP	G-281 *	LLU-50-B15	LL-50-B15	HPW-50-B15	I-50-B15	TM-50-BR
5 1/2"	TS-0146-54HP	G-281 *	LLU-54-B15	LL-54-B15	HPW-54-B15	I-54-B15	TM-54-BR
5 3/4"	TS-0146-56HP	G-281 *	LLU-56-B15	LL-56-B15	HPW-56-B15	I-56-B15	TM-56-BR
6"	TS-0146-60HP	G-281 *	LLU-60-B15	LL-60-B15	HPW-60-B15	I-60-B15	TM-60-BR
6 1/4"	TS-0146-62HP	G-281 *	LLU-62-L15	LL-62-L15	HPW-62-L15	I-62-L15	TM-62-LR
6 1/2"	TS-0146-64HP	G-281 *	LLU-64-L15	LL-64-L15	HPW-64-L15	I-64-L15	TM-64-LR
6 3/4"	TS-0146-66Cr	G-281 *	LLU-66-L15	LL-66-L15	HPW-66-L15	I-66-L15	TM-66-LR
VALVES, SEATS, SPRINGS					GASKETS		
	4 WEB DESIGN	3 WEB DESIGN	FULL OPEN (1)	FULL OPEN (2)		PART NUMBER	
VALVE	TS-5-M5B5	-	-	TS-5-V1	VALVE COVER GASKET	G-733 *	
SEAT	TS-5-DDB1	-	-	TS-5-S1	CYLINDER HEAD GASKET	G-281 *	
SPRING	TS-5710-111	-	-	TS-5710-111	WEAR PLATE GASKET	N/A	
INSERT (Urethane)	TS-5-WI	-	-	TS-5-FI	EXTENSION ROD SEAL	-	
INSERT (Rubber)	-	-	-	-	EXTENSION ROD BAFFLE	-	
PISTON ROD & EXTENSION ROD							
ROD CLAMP	PISTON ROD STUD	PISTON NUT	THREADED TYPE PISTON ROD	CLAMP TYPE PISTON ROD	SUB ROD	THREADED TYPE EXTENSION ROD	CLAMP TYPE EXTENSION ROD
TMF65-03-08	N/A	TM-NUT	N/A	TM-151	N/A	N/A	TMF65-01-06
FLUID END MODULE							
FLUID END MODULE STUDED				MODULE SEAL SET		STUDS & NUTS SET	
TS-6318-0151-00				TMF05-SEALKIT		TMF05-STUDSET	

TSC does not warrant or represent that any of such information is accurate, or that any products listed are compatible with each other. Any deviations from the OEM products should be verified as to compatibility.



## FLUID END EXPENDABLES

**EMSCO**

**F-800**

**7 x 9**

LINERS		ZIRCONIA LINER	LINER GASKETS	PISTONS				PISTON RUBBER
SIZE	PART NUMBER	PART NUMBER	PART NUMBER	URETHANE BONDED	RUBBER BONDED	N'DURALL BONDED	REPLACEABLE RUBBER	PART NUMBER
4"	TS-0148-40HP	TS-07495400	G-282 *	LLU-40-K15	LL-40-K15	HPW-40-K15	I-40-K15	TM-40-KR
4 1/2"	TS-0148-44HP	TS-07495450	G-282 *	LLU-44-B15	LL-44-B15	HPW-44-B15	I-44-B15	TM-44-BR
5"	TS-0148-50HP	TS-07495500	G-282 *	LLU-50-B15	LL-50-B15	HPW-50-B15	I-50-B15	TM-50-BR
5 1/2"	TS-0148-54HP	TS-07495550	G-282 *	LLU-54-B15	LL-54-B15	HPW-54-B15	I-54-B15	TM-54-BR
5 3/4"	TS-0148-56HP	TS-07499575	G-282 *	LLU-56-B15	LL-56-B15	HPW-56-B15	I-56-B15	TM-56-BR
6"	TS-0148-60HP	TS-07495600	G-282 *	LLU-60-B15	LL-60-B15	HPW-60-B15	I-60-B15	TM-60-BR
6 1/4"	TS-0148-62HP	TS-07495625	G-282 *	LLU-62-L15	LL-62-L15	HPW-62-L15	I-62-L15	TM-62-LR
6 1/2"	TS-0148-64HP	TS-07495650	G-282 *	LLU-64-L15	LL-64-L15	HPW-64-L15	I-64-L15	TM-64-LR
6 3/4"	TS-0148-66HP	TS-07495675	G-282 *	LLU-66-L15	LL-66-L15	HPW-66-L15	I-66-L15	TM-66-LR
7"	TS-0148-70Cr		G-282 *	LLU-70-L15	LL-70-L15	HPW-70-L15	I-70-L15	TM-70-LR
VALVES, SEATS, SPRINGS						GASKETS		
	4 WEB DESIGN	3 WEB DESIGN	FULL OPEN (1)	FULL OPEN (2)				PART NUMBER
VALVE	TS-6-EH	-	TS-0995M	TS-6-V1	VALVE COVER GASKET			G-740 *
SEAT	TS-6-ADDB6	-	TS-1380M	TS-6-S6	CYLINDER HEAD GASKET			G-282 *
SPRING	TS-5710-115	-	TS-0701M	TS-5710-115	WEAR PLATE GASKET			N/A
INSERT (Urethane)	TS-6-WI	-	TS-6-MI	TS-6-FI	EXTENSION ROD SEAL			TS-6305-0071-00
INSERT (Rubber)	TS-6-WR	-	-	TS-6-FR	EXTENSION ROD BAFFLE			TS-6320-0028-00
PISTON ROD & EXTENSION ROD								
ROD CLAMP	PISTON ROD STUD	PISTON NUT	THREADED TYPE PISTON ROD	CLAMP TYPE PISTON ROD	SUB ROD	THREADED TYPE EXTENSION ROD	CLAMP TYPE EXTENSION ROD	
TMF08-03-08	N/A	TM-NUT	N/A	TM-150	N/A	N/A	TMF08-01-06	
FLUID END MODULE								
FLUID END MODULE STUDED				MODULE SEAL SET		STUDS & NUTS SET		
TS-6999-0086-02				TMF10-SEALKIT		TMF10-STUDSET		

TSC does not warrant or represent that any of such information is accurate, or that any products listed are compatible with each other. Any deviations from the OEM products should be verified as to compatibility.

TSC Manufacturing and Supply LLC, 13788 West Road, Suite 100, Houston, Texas 77041, USA  
 Tel: +1 832 456 3900 Fax: +1 832 456 3998 E-mail: sales@t-s-c.com



**FLUID END EXPENDABLES**

**EMSCO**

**F-1000**

**7 x 10**

LINERS		ZIRCONIA LINERS	LINER GASKETS	PISTONS				PISTON RUBBER
SIZE	PART NUMBER	PART NUMBER	PART NUMBER	URETHANE BONDED	RUBBER BONDED	N'DURALL BONDED	REPLACEABLE RUBBER	PART NUMBER
4"	TS-0148-40HP	TS-07495400	G-282 *	LLU-40-K15	LL-40-K15	HPW-40-K15	I-40-K15	TM-40-KR
4 1/2"	TS-0148-44HP	TS-07495450	G-282 *	LLU-44-B15	LL-44-B15	HPW-44-B15	I-44-B15	TM-44-BR
5"	TS-0148-50HP	TS-07495500	G-282 *	LLU-50-B15	LL-50-B15	HPW-50-B15	I-50-B15	TM-50-BR
5 1/2"	TS-0148-54HP	TS-07495550	G-282 *	LLU-54-B15	LL-54-B15	HPW-54-B15	I-54-B15	TM-54-BR
5 3/4"	TS-0148-56HP	TS-07499575	G-282 *	LLU-56-B15	LL-56-B15	HPW-56-B15	I-56-B15	TM-56-BR
6"	TS-0148-60HP	TS-07495600	G-282 *	LLU-60-B15	LL-60-B15	HPW-60-B15	I-60-B15	TM-60-BR
6 1/4"	TS-0148-62HP	TS-07495625	G-282 *	LLU-62-L15	LL-62-L15	HPW-62-L15	I-62-L15	TM-62-LR
6 1/2"	TS-0148-64HP	TS-07495650	G-282 *	LLU-64-L15	LL-64-L15	HPW-64-L15	I-64-L15	TM-64-LR
6 3/4"	TS-0148-66HP	TS-07495675	G-282 *	LLU-66-L15	LL-66-L15	HPW-66-L15	I-66-L15	TM-66-LR
7"	TS-0148-70Cr		G-282 *	LLU-70-L15	LL-70-L15	HPW-70-L15	I-70-L15	TM-70-LR
VALVES, SEATS, SPRINGS						GASKETS		
VALVE	4 WEB DESIGN	3 WEB DESIGN	FULL OPEN (1)	FULL OPEN (2)	VALVE COVER GASKET		PART NUMBER	
	TS-6-EH	-	TS-0995M	TS-6-V1			G-740 *	
SEAT	TS-6-ADDB6	-	TS-1380M	TS-6-S6	CYLINDER HEAD GASKET		G-282 *	
SPRING	TS-5710-115	-	TS-0701M	TS-5710-115	WEAR PLATE GASKET		N/A	
INSERT (Urethane)	TS-6-WI	-	TS-6-MI	TS-6-FI	EXTENSION ROD SEAL		TS-7602-2132-75	
INSERT (Rubber)	-	-	-	-	EXTENSION ROD BAFFLE		TS-6319-0070-00	
PISTON ROD & EXTENSION ROD								
ROD CLAMP	PISTON ROD STUD	PISTON NUT	THREADED TYPE PISTON ROD	CLAMP TYPE PISTON ROD	SUB ROD	THREADED TYPE EXTENSION ROD	CLAMP TYPE EXTENSION ROD	
TMF10-03-08	N/A	TM-NUT	N/A	TM-148	N/A	N/A	TMF10-01-06	
FLUID END MODULE								
FLUID END MODULE STUDDER				MODULE SEAL SET		STUDS & NUTS SET		
TS-6999-0086-02				TMF10-SEALKIT		TMF10-STUDSET		

TSC does not warrant or represent that any of such information is accurate, or that any products listed are compatible with each other. Any deviations from the OEM products should be verified as to compatibility.

TSC Manufacturing and Supply LLC, 13788 West Road, Suite 100, Houston, Texas 77041, USA  
 Tel: +1 832 456 3900 Fax: +1 832 456 3998 E-mail: sales@t-s-c.com

**FLUID END EXPENDABLES**

**EMSCO**

**FB-1300**

**7 x 12**

	LINERS		ZIRCONIA LINERS	LINER GASKETS	PISTONS				PISTON RUBBER
SIZE	PART NUMBER	PART NUMBER	PART NUMBER	URETHANE BONDED	RUBBER BONDED	N'DURALL BONDED	REPLACEABLE RUBBER	PART NUMBER	
4"	TS-2145-40HP	TS-07499400	G-800 *	LLU-40-K15	LL-40-K15	HPW-40-K15	I-40-K15	TM-40-KR	
4 1/2"	TS-2145-44HP	TS-07499450	G-800 *	LLU-44-B15	LL-44-B15	HPW-44-B15	I-44-B15	TM-44-BR	
5"	TS-2145-50HP	TS-07499500	G-800 *	LLU-50-B15	LL-50-B15	HPW-50-B15	I-50-B15	TM-50-BR	
5 1/2"	TS-2145-54HP	TS-07499550	G-800 *	LLU-54-B15	LL-54-B15	HPW-54-B15	I-54-B15	TM-54-BR	
5 3/4"	TS-2145-56HP	TS-07499575	G-800 *	LLU-56-B15	LL-56-B15	HPW-56-B15	I-56-B15	TM-56-BR	
6"	TS-2145-60HP	TS-07499600	G-800 *	LLU-60-B15	LL-60-B15	HPW-60-B15	I-60-B15	TM-60-BR	
6 1/4"	TS-2145-62HP	TS-07499625	G-800 *	LLU-62-L15	LL-62-L15	HPW-62-L15	I-62-L15	TM-62-LR	
6 1/2"	TS-2145-64HP	TS-07499650	G-800 *	LLU-64-L15	LL-64-L15	HPW-64-L15	I-64-L15	TM-64-LR	
6 3/4"	TS-2145-66HP	TS-07499675	G-800 *	LLU-66-L15	LL-66-L15	HPW-66-L15	I-66-L15	TM-66-LR	
7"	TS-2145-70HP	TS-07499700	G-800 *	LLU-70-L15	LL-70-L15	HPW-70-L15	I-70-L15	TM-70-LR	
VALVES, SEATS, SPRINGS						GASKETS			
	4 WEB DESIGN	3 WEB DESIGN	FULL OPEN (1)	FULL OPEN (2)			PART NUMBER		
VALVE	TS-7-EEF	TS-202482	TS-0985M	TS-7-V1	VALVE COVER GASKET		G-741 *		
SEAT	TS-7-DDB1	TS-202039	TS-1370M	TS-7-S1	CYLINDER HEAD GASKET		G-801 *		
SPRING	TS-5710-115	-	TS-0702M	TS-5710-115L	WEAR PLATE GASKET		G-800 *		
INSERT (Urethane)	TS-7-WI	TS-201106	TS-7-MI	TS-7-FI	EXTENSION ROD SEAL		TS-7602-2132-76		
INSERT (Rubber)	TS-7-WR	TS-201107	-	-	EXTENSION ROD BAFFLE		TS-6316-0093-00		
PISTON ROD & EXTENSION ROD									
ROD CLAMP	PISTON ROD STUD	PISTON NUT	THREADED TYPE PISTON ROD	CLAMP TYPE PISTON ROD	SUB ROD	THREADED TYPE EXTENSION ROD	CLAMP TYPE EXTENSION ROD		
TMFB6-03-08	N/A	TM-NUT	N/A	TM-2145	N/A	N/A	TMFB6-01-06		
FLUID END MODULE									
FLUID END MODULE STUDDED			MODULE SEAL SET			STUDS & NUTS SET			
TS-6316-0357-00			TMFB6-SEALKIT			TMFB6-STUDSET			

TSC does not warrant or represent that any of such information is accurate, or that any products listed are compatible with each other. Any deviations from the OEM products should be verified as to compatibility.

TSC Manufacturing and Supply LLC, 13788 West Road, Suite 100, Houston, Texas 77041, USA  
 Tel: +1 832 456 3900 Fax: +1 832 456 3998 E-mail: sales@t-s-c.com

**FLUID END EXPENDABLES**

**EMSCO**

**FB-1600**

**7 x 12**

	LINERS	ZIRCONIA LINERS	LINER GASKETS	PISTONS				PISTON RUBBER
SIZE	PART NUMBER	PART NUMBER	PART NUMBER	URETHANE BONDED	RUBBER BONDED	N'DURALL BONDED	REPLACEABLE RUBBER	PART NUMBER
4"	TS-2145-40HP	TS-07499400	G-800 *	LLU-40-K15	LL-40-K15	HPW-40-K15	I-40-K15	TM-40-KR
4 1/2"	TS-2145-44HP	TS-07499450	G-800 *	LLU-44-B15	LL-44-B15	HPW-44-B15	I-44-B15	TM-44-BR
5"	TS-2145-50HP	TS-07499500	G-800 *	LLU-50-B15	LL-50-B15	HPW-50-B15	I-50-B15	TM-50-BR
5 1/2"	TS-2145-54HP	TS-07499550	G-800 *	LLU-54-B15	LL-54-B15	HPW-54-B15	I-54-B15	TM-54-BR
5 3/4"	TS-2145-56HP	TS-07499575	G-800 *	LLU-56-B15	LL-56-B15	HPW-56-B15	I-56-B15	TM-56-BR
6"	TS-2145-60HP	TS-07499600	G-800 *	LLU-60-B15	LL-60-B15	HPW-60-B15	I-60-B15	TM-60-BR
6 1/4"	TS-2145-62HP	TS-07499625	G-800 *	LLU-62-L15	LL-62-L15	HPW-62-L15	I-62-L15	TM-62-LR
6 1/2"	TS-2145-64HP	TS-07499650	G-800 *	LLU-64-L15	LL-64-L15	HPW-64-L15	I-64-L15	TM-64-LR
6 3/4"	TS-2145-66HP	TS-07499675	G-800 *	LLU-66-L15	LL-66-L15	HPW-66-L15	I-66-L15	TM-66-LR
7"	TS-2145-70HP	TS-07499700	G-800 *	LLU-70-L15	LL-70-L15	HPW-70-L15	I-70-L15	TM-70-LR
VALVES, SEATS, SPRINGS						GASKETS		
	4 WEB DESIGN	3 WEB DESIGN	FULL OPEN (1)	FULL OPEN (2)		PART NUMBER		
VALVE	TS-7-EEF	TS-202482	TS-0985M	TS-7-V1	VALVE COVER GASKET	G-741 *		
SEAT	TS-7-DDB1	TS-202039	TS-1370M	TS-7-S1	CYLINDER HEAD GASKET	G-801 *		
SPRING	TS-5710-115	-	TS-0702M	TS-5710-115L	WEAR PLATE GASKET	G-800 *		
INSERT (Urethane)	TS-7-WI	TS-201106	TS-7-MI	TS-7-FI	EXTENSION ROD SEAL	TS-7602-2132-76		
INSERT (Rubber)	TS-7-WR	TS-201107	-	-	EXTENSION ROD BAFFLE	TS-6316-0093-00		
PISTON ROD & EXTENSION ROD								
ROD CLAMP	PISTON ROD STUD	PISTON NUT	THREADED TYPE PISTON ROD	CLAMP TYPE PISTON ROD	SUB ROD	THREADED TYPE EXTENSION ROD	CLAMP TYPE EXTENSION ROD	
TMFB6-03-08	N/A	TM-NUT	N/A	TM-2145	N/A	N/A	TMFB6-01-06	
FLUID END MODULE								
FLUID END MODULE STUDD				MODULE SEAL SET		STUDS & NUTS SET		
TS-6316-0357-00				TMFB6-SEALKIT		TMFB6-STUDSET		

TSC does not warrant or represent that any of such information is accurate, or that any products listed are compatible with each other. Any deviations from the OEM products should be verified as to compatibility.

TSC Manufacturing and Supply LLC, 13788 West Road, Suite 100, Houston, Texas 77041, USA  
 Tel: +1 832 456 3900 Fax: +1 832 456 3998 E-mail: sales@t-s-c.com

## FLUID END EXPENDABLES

**EMSCO**

**FC-1600**

**7 x 12**

SIZE	LINERS	ZIRCONIA LINERS	LINER GASKETS	PISTONS				PISTON RUBBER
	PART NUMBER	PART NUMBER	PART NUMBER	URETHANE BONDED	RUBBER BONDED	N'DURALL BONDED	REPLACEABLE RUBBER	PART NUMBER
4"	TS-2145-40HP	TS-07499400	G-800 *	LLU-40-K15	LL-40-K15	HPW-40-K15	I-40-K15	TM-40-KR
4 1/2"	TS-2145-44HP	TS-07499450	G-800 *	LLU-44-B15	LL-44-B15	HPW-44-B15	I-44-B15	TM-44-BR
5"	TS-2145-50HP	TS-07499500	G-800 *	LLU-50-B15	LL-50-B15	HPW-50-B15	I-50-B15	TM-50-BR
5 1/2"	TS-2145-54HP	TS-07499550	G-800 *	LLU-54-B15	LL-54-B15	HPW-54-B15	I-54-B15	TM-54-BR
5 3/4"	TS-2145-56HP	TS-07499575	G-800 *	LLU-56-B15	LL-56-B15	HPW-56-B15	I-56-B15	TM-56-BR
6"	TS-2145-60HP	TS-07499600	G-800 *	LLU-60-B15	LL-60-B15	HPW-60-B15	I-60-B15	TM-60-BR
6 1/4"	TS-2145-62HP	TS-07499625	G-800 *	LLU-62-L15	LL-62-L15	HPW-62-L15	I-62-L15	TM-62-LR
6 1/2"	TS-2145-64HP	TS-07499650	G-800 *	LLU-64-L15	LL-64-L15	HPW-64-L15	I-64-L15	TM-64-LR
6 3/4"	TS-2145-66HP	TS-07499675	G-800 *	LLU-66-L15	LL-66-L15	HPW-66-L15	I-66-L15	TM-66-LR
7"	TS-2145-70HP	TS-07499700	G-800 *	LLU-70-L15	LL-70-L15	HPW-70-L15	I-70-L15	TM-70-LR
VALVES, SEATS, SPRINGS						GASKETS		
	4 WEB DESIGN	3 WEB DESIGN	FULL OPEN (1)	FULL OPEN (2)		PART NUMBER		
VALVE	TS-7-EEF	TS-202482	TS-0985M	TS-7-V1	VALVE COVER GASKET	G-741 *		
SEAT	TS-7-DDB1	TS-202039	TS-1370M	TS-7-S1	WEAR PLATE GASKET	TS-6316-0565-00		
SPRING	TS-5710-115	-	TS-0702M	TS-5710-115L	EXTENSION ROD SEAL	TS-7602-2132-76		
INSERT (Urethane)	TS-7-WI	TS-201106	TS-7-MI	TS-7-FI	EXTENSION ROD BAFFLE	TS-6316-0093-00		
INSERT (Rubber)	TS-7-WR	TS-201107	-	-	-	-		
PISTON ROD & EXTENSION ROD								
ROD CLAMP	PISTON ROD STUD	PISTON NUT	THREADED TYPE PISTON ROD	CLAMP TYPE PISTON ROD	SUB ROD	THREADED TYPE EXTENSION ROD	CLAMP TYPE EXTENSION ROD	
TMFB6-03-08	N/A	TM-NUT	N/A	TM-2145	N/A	N/A	TMFB6-01-06	
FLUID END MODULE								
SUCTION MODULE STUDDER		DISCHARGE MODULE STUDDER		MODULE SEAL SET		STUDS & NUTS SET		
TS-6316-0611-00		TS-6316-0610-01		TMFC16-SEALKIT		TMFC16-STUDDSETS TMFC16-STUDDSETD		

TSC does not warrant or represent that any of such information is accurate, or that any products listed are compatible with each other.  
Any deviations from the OEM products should be verified as to compatibility.

TSC Manufacturing and Supply LLC, 13788 West Road, Suite 100, Houston, Texas 77041, USA  
Tel: +1 832 456 3900 Fax: +1 832 456 3998 E-mail: sales@t-s-c.com

**FLUID END EXPENDABLES**

**EMSCO**

**FC-2200**

**8 x 15**

	LINERS		ZIRCONIA LINERS	LINER GASKETS	PISTONS				PISTON RUBBER
SIZE	PART NUMBER	PART NUMBER	PART NUMBER	URETHANE BONDED	RUBBER BONDED	N'DURALL BONDED	REPLACEABLE RUBBER	PART NUMBER	
5"	TS-2200-50HP	TS-07551500	G-882 *	LLU-50-B15	LL-50-B15	HPW-50-B15	I-50-B15	TM-50-BR	
5 1/2"	TS-2200-54HP	TS-07551550	G-882 *	LLU-54-B15	LL-54-B15	HPW-54-B15	I-54-B15	TM-54-BR	
6 "	TS-2200-60HP	TS-07551600	G-882 *	LLU-60-B15	LL-60-B15	HPW-60-B15	I-60-B15	TM-60-BR	
6 1/4"	TS-2200-62HP	TS-07551625	G-882 *	LLU-62-L15	LL-62-L15	HPW-62-L15	I-62-L15	TM-62-LR	
6 1/2"	TS-2200-64HP	TS-07551650	G-882 *	LLU-64-L15	LL-64-L15	HPW-64-L15	I-64-L15	TM-64-LR	
7"	TS-2200-70HP	TS-07551700	G-882 *	LLU-70-L15	LL-70-L15	HPW-70-L15	I-70-L15	TM-70-LR	
7 1/2"	TS-2200-74HP	TS-07551750	G-882 *	LLU-74-L15	LL-74-L15	HPW-74-L15	I-74-L15	TM-74-LR	
8"	TS-2200-80HP	TS-07551800	G-882 *	LLU-80-L15	LL-80-L15	HPW-80-L15	I-80-L15	TM-80-LR	
VALVES, SEATS, SPRINGS						GASKETS			
	4 WEB DESIGN	3 WEB DESIGN	FULL OPEN (1)	FULL OPEN (2)			PART NUMBER		
VALVE	TS-U5B-LP	-	TS-0965M	TS-8-V1	VALVE COVER GASKET		TS-6323-0125-00		
SEAT	TS-8-DDB2	-	TS-1360M	TS-8-S1	WEAR PLATE GASKET		TS-6323-0127-00		
SPRING	TS-5710-110	-	-	TS-5710-115L	EXTENSION ROD SEAL		TS-7602-2160-09		
INSERT (Urethane)	TS-8-WI	-	TS-8-MI	TS-8-FI	EXTENSION ROD BAFFLE		TS-6323-0129-00		
INSERT (Rubber)	TS-8-WR	-	-	-			-		
PISTON ROD & EXTENSION ROD									
ROD CLAMP	PISTON ROD STUD	PISTON NUT	THREADED TYPE PISTON ROD	CLAMP TYPE PISTON ROD	SUB ROD	THREADED TYPE EXTENSION ROD	CLAMP TYPE EXTENSION ROD		
TS-6323-0058-20	N/A	TM-15NUT	N/A	TS-6323-0117-20	N/A	N/A	TS-6323-0059-10		
FLUID END MODULE									
SUCTION MODULE STUDD		DISCHARGE MODULE STUDD		MODULE SEAL SET		STUDS & NUTS SET			
TS-6323-0109-00		TS-6323-0108-00		TMFC22-SEALKIT		TMFC22-STUDSETS TMFC22-STUDSETD			

TSC does not warrant or represent that any of such information is accurate, or that any products listed are compatible with each other. Any deviations from the OEM products should be verified as to compatibility.

TSC Manufacturing and Supply LLC, 13788 West Road, Suite 100, Houston, Texas 77041, USA  
Tel: +1 832 456 3900 Fax: +1 832 456 3998 E-mail: sales@t-s-c.com

**FLUID END EXPENDABLES**

**EWCO**

**W-440-LP**

**4-1/2 x 6**

LINERS		LINER GASKETS	PISTONS				PISTON RUBBER
SIZE	PART NUMBER	PART NUMBER	URETHANE BONDED	RUBBER BONDED	N'DURALL BONDED	REPLACEABLE RUBBER	PART NUMBER
3-1/2"	TS-4350-34HP	G-829RF-2	LLU-34-K10	LL-34-K10	HPW-34-K10	I-34-K10	TM-34-KR
4"	TS-4350-40HP	G-829RF-2	LLU-40-B10	LL-40-B10	HPW-40-B10	I-40-B10	TM-40-BR
4-1/2"	TS-4350-44HP	G-829RF-2	LLU-44-B10	LL-44-B10	HPW-44-B10	I-44-B10	TM-44-BR
<b>VALVES, SEATS, SPRINGS</b>					<b>GASKETS</b>		
	<b>4 WEB DESIGN</b>	<b>3 WEB DESIGN</b>	<b>FULL OPEN (1)</b>	<b>FULL OPEN (2)</b>			<b>PART NUMBER</b>
<b>VALVE</b>				TS-4-V7	<b>VALVE COVER</b>		G-826R
<b>SEAT</b>				TS-4-S5	<b>CYLINDER HEAD</b>		G-830RF
<b>SPRING</b>				TS-5710-38	<b>EXTENSION ROD SEAL</b>		
<b>INSERT (Urethane)</b>				TS-4-FIA	<b>EXTENSION ROD BAFFLE</b>		
<b>INSERT (Rubber)</b>							
<b>PISTON ROD &amp; EXTENSION ROD</b>							
<b>ROD CLAMP</b>	<b>PISTON ROD STUD</b>	<b>PISTON NUT</b>	<b>THREADED TYPE PISTON ROD</b>	<b>CLAMP TYPE PISTON ROD</b>	<b>SUB ROD</b>	<b>THREADED TYPE EXTENSION ROD</b>	<b>CLAMP TYPE EXTENSION ROD</b>
		TM-NUT1		TM-440			
<b>FLUID END MODULE</b>							
<b>SUCTION MODULE STUDD</b>		<b>DISCHARGE MODULE STUDD</b>		<b>MODULE SEAL SET</b>		<b>STUDS &amp; NUTS SET</b>	

TSC does not warrant or represent that any of such information is accurate, or that any products listed are compatible with each other. Any deviations from the OEM products should be verified as to compatibility.



**FLUID END EXPENDABLES**

**EWCO**

**W-446**

**6 x 6**

	LINERS		LINER GASKETS		PISTONS			PISTON RUBBER
SIZE	PART NUMBER	PART NUMBER	URETHANE BONDED	RUBBER BONDED	N'DURALL BONDED	REPLACEABLE RUBBER	PART NUMBER	
3-1/2"	TS-5203-34HP	G-829RF	LLU-34-K15	LL-34-K15	HPW-34-K15	I-34-K15	TM-34-KR	
4"	TS-5203-40HP	G-829RF	LLU-40-B15	LL-40-B15	HPW-40-B15	I-40-B15	TM-40-BR	
4-1/2"	TS-5203-44HP	G-829RF	LLU-44-B15	LL-44-B15	HPW-44-B15	I-44-B15	TM-44-BR	
5"	TS-5203-50HP	G-829RF	LLU-50-B15	LL-50-B15	HPW-50-B15	I-50-B15	TM-50-BR	
5-1/2"	TS-5203-54HP	G-829RF	LLU-54-B15	LL-54-B15	HPW-54-B15	I-54-B15	TM-54-BR	
6"	TS-5203-60HP	G-829RF	LLU-60-B15	LL-60-B15	HPW-60-B15	I-60-B15	TM-60-BR	
<b>VALVES, SEATS, SPRINGS</b>					<b>GASKETS</b>			
	<b>4 WEB DESIGN</b>	<b>3 WEB DESIGN</b>	<b>FULL OPEN (1)</b>	<b>FULL OPEN (2)</b>		<b>PART NUMBER</b>		
<b>VALVE</b>				TS-4-V7	<b>VALVE COVER</b>	G-826R		
<b>SEAT</b>				TS-4-S5	<b>CYLINDER HEAD</b>	G-830RF		
<b>SPRING</b>				TS-5710-38	<b>EXTENSION ROD SEAL</b>			
<b>INSERT (Urethane)</b>				TS-4-FIA	<b>EXTENSION ROD BAFFLE</b>			
<b>INSERT (Rubber)</b>								
<b>PISTON ROD &amp; EXTENSION ROD</b>								
<b>ROD CLAMP</b>	<b>PISTON ROD STUD</b>	<b>PISTON NUT</b>	<b>THREADED TYPE PISTON ROD</b>	<b>CLAMP TYPE PISTON ROD</b>	<b>SUB ROD</b>	<b>THREADED TYPE EXTENSION ROD</b>	<b>CLAMP TYPE EXTENSION ROD</b>	
		TM-NUT		TM-446				
<b>FLUID END MODULE</b>								
<b>SUCTION MODULE STUDDER</b>		<b>DISCHARGE MODULE STUDDER</b>		<b>MODULE SEAL SET</b>		<b>STUDS &amp; NUTS SET</b>		

TSC does not warrant or represent that any of such information is accurate, or that any products listed are compatible with each other. Any deviations from the OEM products should be verified as to compatibility.

TSC Manufacturing and Supply LLC, 13788 West Road, Suite 100, Houston, Texas 77041, USA  
 Tel: +1 832 456 3900 Fax: +1 832 456 3998 E-mail: sales@t-s-c.com



## FLUID END EXPENDABLES

**EWECO**

**E-447**

**6 x 7**

LINERS		LINER GASKETS		PISTONS			PISTON RUBBER
SIZE	PART NUMBER	PART NUMBER	URETHANE BONDED	RUBBER BONDED	N'DURALL BONDED	REPLACEABLE RUBBER	PART NUMBER
4"	TS-E447-40HP	G-6316 *	LLU-40-B15	LL-40-B15	HPW-40-B15	I-40-B15	TM-40-BR
4-1/2"	TS-E447-44HP	G-6316 *	LLU-44-B15	LL-44-B15	HPW-44-B15	I-44-B15	TM-44-BR
5"	TS-E447-50HP	G-6316 *	LLU-50-B15	LL-50-B15	HPW-50-B15	I-50-B15	TM-50-BR
5-1/2"	TS-E447-54HP	G-6316 *	LLU-54-B15	LL-54-B15	HPW-54-B15	I-54-B15	TM-54-BR
6"	TS-E447-60HP	G-6316 *	LLU-60-B15	LL-60-B15	HPW-60-B15	I-60-B15	TM-60-BR
6-1/2"	TS-E447-64HP	G-6316 *	LLU-64-K15	LL-64-K15	HPW-64-K15	I-64-K15	TM-64-KR
<b>VALVES, SEATS, SPRINGS</b>					<b>GASKETS</b>		
	<b>4 WEB DESIGN</b>	<b>3 WEB DESIGN</b>	<b>FULL OPEN (1)</b>	<b>FULL OPEN (2)</b>			<b>PART NUMBER</b>
<b>VALVE</b>				TS-5-V1	<b>VALVE COVER</b>		G-826 *
<b>SEAT</b>				TS-5-S1	<b>CYLINDER HEAD</b>		G-830 *
<b>SPRING</b>				TS-5710-111	<b>EXTENSION ROD SEAL</b>		
<b>INSERT (Urethane)</b>				TS-5-FI	<b>EXTENSION ROD BAFFLE</b>		
<b>INSERT (Rubber)</b>							
<b>PISTON ROD &amp; EXTENSION ROD</b>							
<b>ROD CLAMP</b>	<b>PISTON ROD STUD</b>	<b>PISTON NUT</b>	<b>THREADED TYPE PISTON ROD</b>	<b>CLAMP TYPE PISTON ROD</b>	<b>SUB ROD</b>	<b>THREADED TYPE EXTENSION ROD</b>	<b>CLAMP TYPE EXTENSION ROD</b>
		TM-NUT					
<b>FLUID END MODULE</b>							
<b>SUCTION MODULE STUDDER</b>		<b>DISCHARGE MODULE STUDDER</b>		<b>MODULE SEAL SET</b>		<b>STUDS &amp; NUTS SET</b>	

TSC does not warrant or represent that any of such information is accurate, or that any products listed are compatible with each other. Any deviations from the OEM products should be verified as to compatibility.

TSC Manufacturing and Supply LLC, 13788 West Road, Suite 100, Houston, Texas 77041, USA  
 Tel: +1 832 456 3900 Fax: +1 832 456 3998 E-mail: sales@t-s-c.com

## FLUID END EXPENDABLES

**GARDNER DENVER**
**TEE-5**
**4-1/2 × 4-7/8**

	LINERS		LINER GASKETS	PISTONS				PISTON RUBBER
SIZE	PART NUMBER	PART NUMBER	URETHANE BONDED	RUBBER BONDED	N'DURALL BONDED	REPLACEABLE RUBBER	PART NUMBER	
3"	TS-1190-30HP	G-691 *	-	-	-	I-30-A10	TM-30-AR	
3-1/2"	TS-1190-34HP	G-691 *	-	-	-	I-34-K10	TM-34-KR	
4"	TS-1190-40HP	G-691 *	LLU-40-K10	LL-40-K10	HPW-40-K10	I-40-K10	TM-40-KR	
4-1/2"	TS-1190-44Cr	G-691 *	LLU-44-B10	LL-44-B10	HPW-44-B10	I-44-B10	TM-44-BR	
VALVES, SEATS, SPRINGS					GASKETS			
	4 WEB DESIGN	3 WEB DESIGN	FULL OPEN (1)	FULL OPEN (2)			PART NUMBER	
VALVE	-	-	-	TS-2-V3	VALVE COVER GASKET		G-799 *	
SEAT	-	-	-	TS-2-S9	CYLINDER HEAD GASKET		-	
SPRING	-	-	-	TS-5710-03	WEAR PLATE GASKET		-	
INSERT (Urethane)	-	-	-	TS-2-FIA	EXTENSION ROD SEAL		TS-60DD99	
CAGE	-	-	-	TS-2-C1	EXTENSION ROD BAFFLE		-	
PISTON ROD & EXTENSION ROD								
ROD CLAMP	PISTON ROD STUD	PISTON NUT	THREADED TYPE PISTON ROD	CLAMP TYPE PISTON ROD	SUB ROD	THREADED TYPE EXTENSION ROD	CLAMP TYPE EXTENSION ROD	
TMTEE-03-08	-	TM-NUT1	-	TM-TEE5	-	-	TMTEE-01-C6	
FLUID END MODULE								
FLUID END MODULE STUDDED			MODULE SEAL SET		STUDS & NUTS SET			
-			-		-			

TSC does not warrant or represent that any of such information is accurate, or that any products listed are compatible with each other.  
Any deviations from the OEM products should be verified as to compatibility.

## FLUID END EXPENDABLES

**GARDNER DENVER**

**PAH**

**5 x 8**

LINERS		LINER GASKETS		PISTONS			PISTON RUBBER
SIZE	PART NUMBER	PART NUMBER	URETHANE BONDED	RUBBER BONDED	N'DURALL BONDED	REPLACEABLE RUBBER	PART NUMBER
3-1/2"	TS-0189-34HP	G-266 *	-	-	-	I-34-K15	TM-34-KR
4"	TS-0189-40HP	G-266 *	LLU-40-K15	LL-40-K15	HPW-40-K15	I-40-K15	TM-40-KR
4-1/2"	TS-0189-44Cr	G-266 *	LLU-44-B15	LL-44-B15	HPW-44-B15	I-44-B15	TM-44-BR
<b>BIG OD</b>							
4-1/2"	TS-0193-44HP	G-266 *	LLU-44-B15	LL-44-B15	HPW-44-B15	I-44-B15	TM-44-BR
5"	TS-0193-50Cr	G-266 *	LLU-50-B15	LL-50-B15	HPW-50-B15	I-50-B15	TM-50-BR
VALVES, SEATS, SPRINGS					GASKETS		
	4 WEB DESIGN	3 WEB DESIGN	FULL OPEN (1)	FULL OPEN (2)		PART NUMBER	
VALVE	-	TS-PJ-482A	-	TS-4-V1	VALVE COVER GASKET	G-799 *	
SEAT	-	TS-PJ-451	-	TS-4-S5	CYLINDER HEAD GASKET	G-799 *	
SPRING	-	TS-5710-33	-	TS-5710-33	WEAR PLATE GASKET	N/A	
INSERT (Urethane)	-	TS-PJ-452	-	TS-4-FI	EXTENSION ROD SEAL	TS-2011872-2	
INSERT (Rubber)	-	-	-	-	EXTENSION ROD BAFFLE	TS-5FXK840	
PISTON ROD & EXTENSION ROD							
ROD CLAMP	PISTON ROD STUD	PISTON NUT	THREADED TYPE PISTON ROD	CLAMP TYPE PISTON ROD	SUB ROD	THREADED TYPE EXTENSION ROD	CLAMP TYPE EXTENSION ROD
TMPZ9-03-08	N/A	TM-NUT	N/A	TM-193	N/A	N/A	TMPZ8-01-06
FLUID END MODULE							
FLUID END MODULE STUDDED			MODULE SEAL SET		STUDS & NUTS SET		
TS-200PJH029B			TMPAH-SEALKIT		TMPAH-STUDSET		

TSC does not warrant or represent that any of such information is accurate, or that any products listed are compatible with each other. Any deviations from the OEM products should be verified as to compatibility.

TSC Manufacturing and Supply LLC, 13788 West Road, Suite 100, Houston, Texas 77041, USA  
 Tel: +1 832 456 3900 Fax: +1 832 456 3998 E-mail: sales@t-s-c.com

**FLUID END EXPENDABLES**

GARDNER DENVER			PZ-7				7 x 7	
	LINERS	ZIRCONIA LINERS	LINER GASKETS	PISTONS				PISTON RUBBER
SIZE	PART NUMBER	PART NUMBER	PART NUMBER	URETHANE BONDED	RUBBER BONDED	N'DURALL BONDED	REPLACEABLE RUBBER	PART NUMBER
4"	TS-1192-40HP	TS-07493091	G-692 *	LLU-40-K15	LL-40-K15	HPW-40-K15	I-40-K15	TM-40-KR
4 1/2"	TS-1192-44HP	TS-07493089	G-692 *	LLU-44-B15	LL-44-B15	HPW-44-B15	I-44-B15	TM-44-BR
5"	TS-1192-50HP	TS-07493087	G-692 *	LLU-50-B15	LL-50-B15	HPW-50-B15	I-50-B15	TM-50-BR
5 1/2"	TS-1192-54HP	TS-07493085	G-692 *	LLU-54-B15	LL-54-B15	HPW-54-B15	I-54-B15	TM-54-BR
5 3/4"	TS-1192-56HP	TS-07493084	G-692 *	LLU-56-B15	LL-56-B15	HPW-56-B15	I-56-B15	TM-56-BR
6"	TS-1192-60HP	TS-07493083	G-692 *	LLU-60-B15	LL-60-B15	HPW-60-B15	I-60-B15	TM-60-BR
6 1/4"	TS-1192-62HP	TS-07493082	G-692 *	LLU-62-L15	LL-62-L15	HPW-62-L15	I-62-L15	TM-62-LR
6 1/2"	TS-1192-64HP	TS-07493081	G-692 *	LLU-64-L15	LL-64-L15	HPW-64-L15	I-64-L15	TM-64-LR
6 3/4"	TS-1192-66HP	TS-07493080	G-692 *	LLU-66-L15	LL-66-L15	HPW-66-L15	I-66-L15	TM-66-LR
7"	TS-1192-70Cr		G-692 *	LLU-70-L15	LL-70-L15	HPW-70-L15	I-70-L15	TM-70-LR
VALVES, SEATS, SPRINGS						GASKETS		
	4 WEB DESIGN	3 WEB DESIGN	FULL OPEN (1)	FULL OPEN (2)		PART NUMBER		
VALVE	TS-7-EEF	TS-202482	TS-0985M	TS-7-V1	VALVE COVER GASKET	G-749 *		
SEAT	TS-7-DDB1	TS-202039	TS-1370M	TS-7-S1	CYLINDER HEAD GASKET	G-749 *		
SPRING	TS-5710-115	TS-78H44	TS-0702M	TS-5710-115L	WEAR PLATE GASKET	G-758*		
INSERT (Urethane)	TS-7-WI	TS-201106	TS-7-MI	TS-7-FI	EXTENSION ROD SEAL	TS-2011872-2		
INSERT (Rubber)	TS-7-WR	TS-201107	-	-	EXTENSION ROD BAFFLE	TS-2FXK840		
PISTON ROD & EXTENSION ROD								
ROD CLAMP	PISTON ROD STUD	PISTON NUT	THREADED TYPE PISTON ROD	CLAMP TYPE PISTON ROD	SUB ROD	THREADED TYPE EXTENSION ROD	CLAMP TYPE EXTENSION ROD	
TMPZ9-03-08	N/A	TM-NUT	TM-196	TM-192	N/A	TMPZ7-01-06T	TMPZ7-01-06	
FLUID END MODULE								
FLUID END MODULE STUDDER				MODULE SEAL SET		STUDS & NUTS SET		
TS-205PZL029D				TMPZ9-SEALKIT		TMPZ9-STUDSET		

TSC does not warrant or represent that any of such information is accurate, or that any products listed are compatible with each other. Any deviations from the OEM products should be verified as to compatibility.

TSC Manufacturing and Supply LLC, 13788 West Road, Suite 100, Houston, Texas 77041, USA  
 Tel: +1 832 456 3900 Fax: +1 832 456 3998 E-mail: sales@t-s-c.com

**FLUID END EXPENDABLES**

**GARDNER DENVER**

**PZ-8**

**7 x 8**

LINERS		ZIRCONIA LINERS	LINER GASKETS	PISTONS				PISTON RUBBER
SIZE	PART NUMBER	PART NUMBER	PART NUMBER	URETHANE BONDED	RUBBER BONDED	N'DURALL BONDED	REPLACEABLE RUBBER	PART NUMBER
4"	TS-1191-40HP	TS-07493400	G-692 *	LLU-40-K15	LL-40-K15	HPW-40-K15	I-40-K15	TM-40-KR
4 1/2"	TS-1191-44HP	TS-07493450	G-692 *	LLU-44-B15	LL-44-B15	HPW-44-B15	I-44-B15	TM-44-BR
5"	TS-1191-50HP	TS-07493500	G-692 *	LLU-50-B15	LL-50-B15	HPW-50-B15	I-50-B15	TM-50-BR
5 1/2"	TS-1191-54HP	TS-07493550	G-692 *	LLU-54-B15	LL-54-B15	HPW-54-B15	I-54-B15	TM-54-BR
5 3/4"	TS-1191-56HP	TS-07493575	G-692 *	LLU-56-B15	LL-56-B15	HPW-56-B15	I-56-B15	TM-56-BR
6"	TS-1191-60HP	TS-07493600	G-692 *	LLU-60-B15	LL-60-B15	HPW-60-B15	I-60-B15	TM-60-BR
6 1/4"	TS-1191-62HP	TS-07493625	G-692 *	LLU-62-L15	LL-62-L15	HPW-62-L15	I-62-L15	TM-62-LR
6 1/2"	TS-1191-64HP	TS-07493650	G-692 *	LLU-64-L15	LL-64-L15	HPW-64-L15	I-64-L15	TM-64-LR
6 3/4"	TS-1191-66HP	TS-07493675	G-692 *	LLU-66-L15	LL-66-L15	HPW-66-L15	I-66-L15	TM-66-LR
7"	TS-1191-70Cr		G-692 *	LLU-70-L15	LL-70-L15	HPW-70-L15	I-70-L15	TM-70-LR
VALVES, SEATS, SPRINGS						GASKETS		
	4 WEB DESIGN	3 WEB DESIGN	FULL OPEN (1)	FULL OPEN (2)		PART NUMBER		
VALVE	TS-7-EEF	TS-202PZL482A	TS-0985M	TS-7-V1	VALVE COVER GASKET	G-749 *		
SEAT	TS-7-DDB1	TS-202PZL039	TS-1370M	TS-7-S1	CYLINDER HEAD GASKET	G-749 *		
SPRING	TS-5710-115	TS-78H44	TS-0702M	TS-5710-115L	WEAR PLATE GASKET	G-758*		
INSERT (Urethane)	TS-7-WI	TS-201PZL106	TS-7-MI	TS-7-FI	EXTENSION ROD SEAL	TS-2011872-2		
INSERT (Rubber)	TS-7-WR	TS-201107	-	-	EXTENSION ROD BAFFLE	TS-PZ840		
PISTON ROD & EXTENSION ROD								
ROD CLAMP	PISTON ROD STUD	PISTON NUT	THREADED TYPE PISTON ROD	CLAMP TYPE PISTON ROD	SUB ROD	THREADED TYPE EXTENSION ROD	CLAMP TYPE EXTENSION ROD	
TMPZ9-03-08	N/A	TM-NUT	TM-202	TM-191	N/A	TMPZ7-01-06T	TMPZ8-01-06	
FLUID END MODULE								
FLUID END MODULE STUDED			MODULE SEAL SET		STUDS & NUTS SET			
TS-205PZL029D			TMPZ9-SEALKIT		TMPZ9-STUDSET			

TSC does not warrant or represent that any of such information is accurate, or that any products listed are compatible with each other. Any deviations from the OEM products should be verified as to compatibility.

TSC Manufacturing and Supply LLC, 13788 West Road, Suite 100, Houston, Texas 77041, USA  
 Tel: +1 832 456 3900 Fax: +1 832 456 3998 E-mail: sales@t-s-c.com

**FLUID END EXPENDABLES**

**GARDNER DENVER**

**PZ-9**

**7 x 9**

	LINERS		ZIRCONIA LINERS	LINER GASKETS	PISTONS				PISTON RUBBER
SIZE	PART NUMBER	PART NUMBER	PART NUMBER	URETHANE BONDED	RUBBER BONDED	N'DURALL BONDED	REPLACEABLE RUBBER	PART NUMBER	
4"	TS-1191-40HP	TS-07493400	G-692 *	LLU-40-K15	LL-40-K15	HPW-40-K15	I-40-K15	TM-40-KR	
4 1/2"	TS-1191-44HP	TS-07493450	G-692 *	LLU-44-B15	LL-44-B15	HPW-44-B15	I-44-B15	TM-44-BR	
5"	TS-1191-50HP	TS-07493500	G-692 *	LLU-50-B15	LL-50-B15	HPW-50-B15	I-50-B15	TM-50-BR	
5 1/2"	TS-1191-54HP	TS-07493550	G-692 *	LLU-54-B15	LL-54-B15	HPW-54-B15	I-54-B15	TM-54-BR	
5 3/4"	TS-1191-56HP	TS-07493575	G-692 *	LLU-56-B15	LL-56-B15	HPW-56-B15	I-56-B15	TM-56-BR	
6"	TS-1191-60HP	TS-07493600	G-692 *	LLU-60-B15	LL-60-B15	HPW-60-B15	I-60-B15	TM-60-BR	
6 1/4"	TS-1191-62HP	TS-07493625	G-692 *	LLU-62-L15	LL-62-L15	HPW-62-L15	I-62-L15	TM-62-LR	
6 1/2"	TS-1191-64HP	TS-07493650	G-692 *	LLU-64-L15	LL-64-L15	HPW-64-L15	I-64-L15	TM-64-LR	
6 3/4"	TS-1191-66HP	TS-07493675	G-692 *	LLU-66-L15	LL-66-L15	HPW-66-L15	I-66-L15	TM-66-LR	
7"	TS-1191-70Cr		G-692 *	LLU-70-L15	LL-70-L15	HPW-70-L15	I-70-L15	TM-70-LR	
VALVES, SEATS, SPRINGS						GASKETS			
	4 WEB DESIGN	3 WEB DESIGN	FULL OPEN (1)	FULL OPEN (2)			PART NUMBER		
VALVE	TS-7-EEF	TS-202PZL482A	TS-0985M	TS-7-V1	VALVE COVER GASKET		G-749 *		
SEAT	TS-7-DDB1	TS-202PZL039	TS-1370M	TS-7-S1	CYLINDER HEAD GASKET		G-749 *		
SPRING	TS-5710-115	TS-78H44	TS-0702M	TS-5710-115L	WEAR PLATE GASKET		G-758 *		
INSERT (Urethane)	TS-7-WI	TS-201PZL106	TS-7-MI	TS-7-FI	EXTENSION ROD SEAL		TS-2011872-2		
INSERT (Rubber)	TS-7-WR	TS-201107	-	-	EXTENSION ROD BAFFLE		TS-PZ840		
PISTON ROD & EXTENSION ROD									
ROD CLAMP	PISTON ROD STUD	PISTON NUT	THREADED TYPE PISTON ROD	CLAMP TYPE PISTON ROD	SUB ROD	THREADED TYPE EXTENSION ROD	CLAMP TYPE EXTENSION ROD		
TMPZ9-03-08	N/A	TM-NUT	TM-202	TM-191	N/A	TMPZ9-01-06T	TMPZ9-01-06		
FLUID END MODULE									
FLUID END MODULE STUDED				MODULE SEAL SET		STUDS & NUTS SET			
TS-205PZL029D				TMPZ9-SEALKIT		TMPZ9-STUDSET			

TSC does not warrant or represent that any of such information is accurate, or that any products listed are compatible with each other. Any deviations from the OEM products should be verified as to compatibility.

TSC Manufacturing and Supply LLC, 13788 West Road, Suite 100, Houston, Texas 77041, USA  
 Tel: +1 832 456 3900 Fax: +1 832 456 3998 E-mail: sales@t-s-c.com

## FLUID END EXPENDABLES

**GARDNER DENVER**

**PZ-10**

**7 x 10**

	LINERS	ZIRCONIA LINERS	LINER GASKETS	PISTONS				PISTON RUBBER
SIZE	PART NUMBER	PART NUMBER	PART NUMBER	URETHANE BONDED	RUBBER BONDED	N'DURALL BONDED	REPLACEABLE RUBBER	PART NUMBER
4"	TS-0197-40HP	TS-07496400	G-692 *	LLU-40-K15	LL-40-K15	HPW-40-K15	I-40-K15	TM-40-KR
4 1/2"	TS-0197-44HP	TS-07496450	G-692 *	LLU-44-B15	LL-44-B15	HPW-44-B15	I-44-B15	TM-44-BR
5"	TS-0197-50HP	TS-07496500	G-692 *	LLU-50-B15	LL-50-B15	HPW-50-B15	I-50-B15	TM-50-BR
5 1/2"	TS-0197-54HP	TS-07496550	G-692 *	LLU-54-B15	LL-54-B15	HPW-54-B15	I-54-B15	TM-54-BR
5 3/4"	TS-0197-56HP	TS-07496575	G-692 *	LLU-56-B15	LL-56-B15	HPW-56-B15	I-56-B15	TM-56-BR
6"	TS-0197-60HP	TS-07496600	G-692 *	LLU-60-B15	LL-60-B15	HPW-60-B15	I-60-B15	TM-60-BR
6 1/4"	TS-0197-62HP	TS-07496625	G-692 *	LLU-62-L15	LL-62-L15	HPW-62-L15	I-62-L15	TM-62-LR
6 1/2"	TS-0197-64HP	TS-07496650	G-692 *	LLU-64-L15	LL-64-L15	HPW-64-L15	I-64-L15	TM-64-LR
6 3/4"	TS-0197-66HP	TS-07496675	G-692 *	LLU-66-L15	LL-66-L15	HPW-66-L15	I-66-L15	TM-66-LR
7"	TS-0197-70HP	TS-07496700	G-692 *	LLU-70-L15	LL-70-L15	HPW-70-L15	I-70-L15	TM-70-LR
VALVES, SEATS, SPRINGS						GASKETS		
	4 WEB DESIGN	3 WEB DESIGN	FULL OPEN (1)	FULL OPEN (2)		PART NUMBER		
VALVE	TS-7-EEF	TS-202PZL482A	TS-0985M	TS-7-V1	VALVE COVER GASKET	G-798 *		
SEAT	TS-7-DDB1	TS-202PZL039	TS-1370M	TS-7-S1	CYLINDER HEAD GASKET	G-798 *		
SPRING	TS-5710-115	TS-78H44	TS-0702M	TS-5710-115L	WEAR PLATE GASKET	G-758 *		
INSERT (Urethane)	TS-7-WI	TS-201PZL106	TS-7-MI	TS-7-FI	EXTENSION ROD SEAL	TS-2011872-2		
INSERT (Rubber)	TS-7-WR	TS-201107	-	-	EXTENSION ROD BAFFLE	TS-PZ840		
PISTON ROD & EXTENSION ROD								
ROD CLAMP	PISTON ROD STUD	PISTON NUT	THREADED TYPE PISTON ROD	CLAMP TYPE PISTON ROD	SUB ROD	THREADED TYPE EXTENSION ROD	CLAMP TYPE EXTENSION ROD	
TMPZ11-03-08	N/A	TM-NUT	TM-201	TM-200	N/A	TMPZ9-01-06T	TMPZ11-01-06	
FLUID END MODULE								
FLUID END MODULE STUDED				MODULE SEAL SET		STUDS & NUTS SET		
TS-202PZL029B				TMPZ11-SEALKIT		TMPZ11-STUDSET		

TSC does not warrant or represent that any of such information is accurate, or that any products listed are compatible with each other. Any deviations from the OEM products should be verified as to compatibility.

TSC Manufacturing and Supply LLC, 13788 West Road, Suite 100, Houston, Texas 77041, USA  
Tel: +1 832 456 3900 Fax: +1 832 456 3998 E-mail: sales@t-s-c.com

**FLUID END EXPENDABLES**

**GARDNER DENVER**

**PZ-11**

**7 x 11**

	LINERS	ZIRCONIA LINERS	LINER GASKETS	PISTONS				PISTON RUBBER
SIZE	PART NUMBER	PART NUMBER	PART NUMBER	URETHANE BONDED	RUBBER BONDED	N'DURALL BONDED	REPLACEABLE RUBBER	PART NUMBER
4"	TS-0197-40HP	TS-07496400	G-692 *	LLU-40-K15	LL-40-K15	HPW-40-K15	I-40-K15	TM-40-KR
4 1/2"	TS-0197-44HP	TS-07496450	G-692 *	LLU-44-B15	LL-44-B15	HPW-44-B15	I-44-B15	TM-44-BR
5"	TS-0197-50HP	TS-07496500	G-692 *	LLU-50-B15	LL-50-B15	HPW-50-B15	I-50-B15	TM-50-BR
5 1/2"	TS-0197-54HP	TS-07496550	G-692 *	LLU-54-B15	LL-54-B15	HPW-54-B15	I-54-B15	TM-54-BR
5 3/4"	TS-0197-56HP	TS-07496575	G-692 *	LLU-56-B15	LL-56-B15	HPW-56-B15	I-56-B15	TM-56-BR
6"	TS-0197-60HP	TS-07496600	G-692 *	LLU-60-B15	LL-60-B15	HPW-60-B15	I-60-B15	TM-60-BR
6 1/4"	TS-0197-62HP	TS-07496625	G-692 *	LLU-62-L15	LL-62-L15	HPW-62-L15	I-62-L15	TM-62-LR
6 1/2"	TS-0197-64HP	TS-07496650	G-692 *	LLU-64-L15	LL-64-L15	HPW-64-L15	I-64-L15	TM-64-LR
6 3/4"	TS-0197-66HP	TS-07496675	G-692 *	LLU-66-L15	LL-66-L15	HPW-66-L15	I-66-L15	TM-66-LR
7"	TS-0197-70HP	TS-07496700	G-692 *	LLU-70-L15	LL-70-L15	HPW-70-L15	I-70-L15	TM-70-LR
VALVES, SEATS, SPRINGS						GASKETS		
	4 WEB DESIGN	3 WEB DESIGN	FULL OPEN (1)	FULL OPEN (2)			PART NUMBER	
VALVE	TS-7-EEF	TS-202PZL482	TS-0985M	TS-7-V1	VALVE COVER GASKET		G-798 *	
SEAT	TS-7-DDB1	TS-202PZL039	TS-1370M	TS-7-S1	CYLINDER HEAD GASKET		G-798 *	
SPRING	TS-5710-115	TS-78H44	TS-0702M	TS-5710-115L	WEAR PLATE GASKET		G-758 *	
INSERT (Urethane)	TS-7-WI	TS-201PZL106	TS-7-MI	TS-7-FI	EXTENSION ROD SEAL		TS-2011872-2	
INSERT (Rubber)	TS-7-WR	TS-201107	-	-	EXTENSION ROD BAFFLE		TS-PZ840	
PISTON ROD & EXTENSION ROD								
ROD CLAMP	PISTON ROD STUD	PISTON NUT	THREADED TYPE PISTON ROD	CLAMP TYPE PISTON ROD	SUB ROD	THREADED TYPE EXTENSION ROD	CLAMP TYPE EXTENSION ROD	
TMPZ11-03-08	N/A	TM-NUT	TM-201	TM-200	N/A	TMPZ9-01-06T	TMPZ11-01-06	
FLUID END MODULE								
FLUID END MODULE STUDDED				MODULE SEAL SET		STUDS & NUTS SET		
TS-202PZL029B				TMPZ11-SEALKIT		TMPZ11-STUDSET		

TSC does not warrant or represent that any of such information is accurate, or that any products listed are compatible with each other. Any deviations from the OEM products should be verified as to compatibility.

TSC Manufacturing and Supply LLC, 13788 West Road, Suite 100, Houston, Texas 77041, USA  
 Tel: +1 832 456 3900 Fax: +1 832 456 3998 E-mail: sales@t-s-c.com



**FLUID END EXPENDABLES**

**GARDNER DENVER**

**PZ-11 HP(PZL) (7500 PSI)**

**7 x 11**

	LINERS		ZIRCONIA LINERS	LINER GASKETS	PISTONS				PISTON RUBBER
SIZE	PART NUMBER	PART NUMBER	PART NUMBER	URETHANE BONDED	RUBBER BONDED	N'DURALL BONDED	REPLACEABLE RUBBER	PART NUMBER	
4 1/2"	TS-1197-44HP	TS-07561450	G-756 *	LLU-44-B15	LL-44-B15	HPW-44-B15	I-44-B15	TM-44-BR	
5"	TS-1197-50HP	TS-07561500	G-756 *	LLU-50-B15	LL-50-B15	HPW-50-B15	I-50-B15	TM-50-BR	
5 1/2"	TS-1197-54HP	TS-07561550	G-756 *	LLU-54-B15	LL-54-B15	HPW-54-B15	I-54-B15	TM-54-BR	
5 3/4"	TS-1197-56HP	TS-07561575	G-756 *	LLU-56-B15	LL-56-B15	HPW-56-B15	I-56-B15	TM-56-BR	
6"	TS-1197-60HP	TS-07561600	G-756 *	LLU-60-B15	LL-60-B15	HPW-60-B15	I-60-B15	TM-60-BR	
6 1/4"	TS-1197-62HP	TS-07561625	G-757 *	LLU-62-L15	LL-62-L15	HPW-62-L15	I-62-L15	TM-62-LR	
6 1/2"	TS-1197-64HP	TS-07561650	G-757 *	LLU-64-L15	LL-64-L15	HPW-64-L15	I-64-L15	TM-64-LR	
6 3/4"	TS-1197-66HP	TS-07561675	G-757 *	LLU-66-L15	LL-66-L15	HPW-66-L15	I-66-L15	TM-66-LR	
7"	TS-1197-70HP	TS-07561700	G-757 *	LLU-70-L15	LL-70-L15	HPW-70-L15	I-70-L15	TM-70-LR	
VALVES, SEATS, SPRINGS						GASKETS			
	4 WEB DESIGN	3 WEB DESIGN	FULL OPEN (1)	FULL OPEN (2)		PART NUMBER			
VALVE	TS-6-EH	-	TS-0995M	TS-6-V1	VALVE COVER GASKET	TS-309PZL316			
SEAT	TS-6-ADDB6	-	TS-1380M	TS-6-S6	CYLINDER HEAD GASKET	-			
SPRING	TS-5710-115	-	-	TS-5710-115	WEAR PLATE GASKET	TS-303PZL316			
INSERT (Urethane)	TS-6-WI	-	TS-6-MI	TS-6-FI	EXTENSION ROD SEAL	TS-2011872-2			
INSERT (Rubber)	TS-6-WR	-	-	TS-6-FR	EXTENSION ROD BAFFLE	TS-PZ840			
PISTON ROD & EXTENSION ROD									
ROD CLAMP	PISTON ROD STUD	PISTON NUT	TWO-PIECE PISTON ROD FRONT	CLAMP TYPE PISTON ROD	TWO-PIECE PISTON ROD BACK	THREADED TYPE EXTENSION ROD	CLAMP TYPE EXTENSION ROD		
TMP11-03-08	TS-PP1005294	TM-NUT	TS-PP1005290	TM-200	TS-PP1005292	-	TMPZ11-01-06		
FLUID END MODULE									
FLUID END MODULE STUDED				MODULE SEAL SET		STUDS & NUTS SET			
TS-300PZL2039				TMPZ11HP-SEALKIT		TMPZ11HP-STUDSET			

TSC does not warrant or represent that any of such information is accurate, or that any products listed are compatible with each other. Any deviations from the OEM products should be verified as to compatibility.

TSC Manufacturing and Supply LLC, 13788 West Road, Suite 100, Houston, Texas 77041, USA  
 Tel: +1 832 456 3900 Fax: +1 832 456 3998 E-mail: sales@t-s-c.com



## FLUID END EXPENDABLES

GARDNER DENVER

PXL

7 x 12

	LINERS	ZIRCONIA LINERS	LINER GASKETS	PISTONS				PISTON RUBBER
SIZE	PART NUMBER	PART NUMBER	PART NUMBER	URETHANE BONDED	RUBBER BONDED	N'DURALL BONDED	REPLACEABLE RUBBER	PART NUMBER
4"	TS-1197-40HP		G-756 *	LLU-40-K15	LL-40-K15	HPW-40-K15	I-40-K15	TM-40-KR
4 1/2"	TS-1197-44HP	TS-07561450	G-756 *	LLU-44-B15	LL-44-B15	HPW-44-B15	I-44-B15	TM-44-BR
5"	TS-1197-50HP	TS-07561500	G-756 *	LLU-50-B15	LL-50-B15	HPW-50-B15	I-50-B15	TM-50-BR
5 1/2"	TS-1197-54HP	TS-07561550	G-756 *	LLU-54-B15	LL-54-B15	HPW-54-B15	I-54-B15	TM-54-BR
5 3/4"	TS-1197-56HP	TS-07561575	G-756 *	LLU-56-B15	LL-56-B15	HPW-56-B15	I-56-B15	TM-56-BR
6"	TS-1197-60HP	TS-07561600	G-757 *	LLU-60-B15	LL-60-B15	HPW-60-B15	I-60-B15	TM-60-BR
6 1/4"	TS-1197-62HP	TS-07561625	G-757 *	LLU-62-L15	LL-62-L15	HPW-62-L15	I-62-L15	TM-62-LR
6 1/2"	TS-1197-64HP	TS-07561650	G-757 *	LLU-64-L15	LL-64-L15	HPW-64-L15	I-64-L15	TM-64-LR
VALVES, SEATS, SPRINGS						GASKETS		
	4 WEB DESIGN	3 WEB DESIGN	FULL OPEN (1)	FULL OPEN (2)		PART NUMBER		
VALVE	TS-6-EH	-	TS-0995M	TS-6-V1	VALVE COVER GASKET	TS-309PZL316		
SEAT	TS-6-ADDB6	-	TS-1380M	TS-6-S6	CYLINDER HEAD GASKET	TS-309PZL316		
SPRING	TS-5710-115	-	-	TS-5710-115	WEAR PLATE GASKET	TS-309PZL316		
INSERT (Urethane)	TS-6-WI	-	TS-6-MI	TS-6-FI	EXTENSION ROD SEAL	TS-2011872-2		
INSERT (Rubber)	TS-6-WR	-	-	TS-6-FR	EXTENSION ROD BAFFLE	TS-PZ840		
PISTON ROD & EXTENSION ROD								
ROD CLAMP	PISTON ROD STUD	PISTON NUT	TWO-PIECE PISTON ROD FRONT	CLAMP TYPE PISTON ROD	TWO-PIECE PISTON ROD BACK	THREADED TYPE EXTENSION ROD	CLAMP TYPE EXTENSION ROD	
TMPZ11-03-08	TS-PP1005294	TM-NUT	TS-PP1005290	TM-200	TS-PP1005292	-	TMPZ11-01-06	
FLUID END MODULE								
FLUID END MODULE STUDED				MODULE SEAL SET		STUDS & NUTS SET		
-				-		-		

TSC does not warrant or represent that any of such information is accurate, or that any products listed are compatible with each other. Any deviations from the OEM products should be verified as to compatibility.

## FLUID END EXPENDABLES

**IDECO**

**T-500**

**7 x 8**

LINERS		LINER GASKETS	PISTONS				PISTON RUBBERS
SIZE	PART NUMBER	PART NUMBER	URETHANE BONDED	RUBBER BONDED	N'DURALL BONDED	REPLACEABLE RUBBER	PART NUMBER
4"	TS-0234-40HP	G-783 *	LLU-40-K15	LL-40-K15	HPW-40-K15	I-40-K15	TM-40-KR
4 1/2"	TS-0234-44HP	G-783 *	LLU-44-B15	LL-44-B15	HPW-44-B15	I-44-B15	TM-44-BR
5"	TS-0234-50HP	G-783 *	LLU-50-B15	LL-50-B15	HPW-50-B15	I-50-B15	TM-50-BR
5 1/2"	TS-0234-54HP	G-783 *	LLU-54-B15	LL-54-B15	HPW-54-B15	I-54-B15	TM-54-BR
5 3/4"	TS-0234-56HP	G-783 *	LLU-56-B15	LL-56-B15	HPW-56-B15	I-56-B15	TM-56-BR
6"	TS-0234-60HP	G-783 *	LLU-60-B15	LL-60-B15	HPW-60-B15	I-60-B15	TM-60-BR
6 1/4"	TS-0234-62HP	G-783 *	LLU-62-L15	LL-62-L15	HPW-62-L15	I-62-L15	TM-62-LR
6 1/2"	TS-0234-64HP	G-783 *	LLU-64-L15	LL-64-L15	HPW-64-L15	I-64-L15	TM-64-LR
6 3/4"	TS-0234-66HP	G-783 *	LLU-66-L15	LL-66-L15	HPW-66-L15	I-66-L15	TM-66-LR
7"	TS-0234-70HP	G-783 *	LLU-70-L15	LL-70-L15	HPW-70-L15	I-70-L15	TM-70-LR
VALVES, SEATS, SPRINGS					GASKETS		
	4 WEB DESIGN	3 WEB DESIGN	FULL OPEN (1)	FULL OPEN (2)		PART NUMBER	
VALVE	TS-6-EH	-	TS-0995M	TS-6-V1	VALVE COVER GASKET	G-783 *	
SEAT	TS-6-ADDB6	-	TS-1380M	TS-6-S6	CYLINDER HEAD GASKET	G-783 *	
SPRING	TS-5710-115	-	TS-0701M	TS-5710-115	WEAR PLATE GASKET	N/A	
INSERT (Urethane)	TS-6-WI	-	TS-6-MI	TS-6-FI	EXTENSION ROD SEAL	TS-IP-806	
INSERT (Rubber)	TS-6-WR	-	-	TS-6-FR	EXTENSION ROD BAFFLE	-	
PISTON ROD & EXTENSION ROD							
ROD CLAMP	PISTON ROD STUD	PISTON NUT	THREADED TYPE PISTON ROD	CLAMP TYPE PISTON ROD	SUB ROD	THREADED TYPE EXTENSION ROD	CLAMP TYPE EXTENSION ROD
TMT05-03-08	N/A	TM-NUT	N/A	TM-237	N/A	N/A	TMT05-01-06
FLUID END MODULE							
FLUID END MODULE STUDDED			MODULE SEAL SET		STUDS & NUTS SET		
TS-551-458			TMT10-SEALKIT		TMT10-STUDSET		

TSC does not warrant or represent that any of such information is accurate, or that any products listed are compatible with each other.  
Any deviations from the OEM products should be verified as to compatibility.

TSC Manufacturing and Supply LLC, 13788 West Road, Suite 100, Houston, Texas 77041, USA  
Tel: +1 832 456 3900 Fax: +1 832 456 3998 E-mail: sales@t-s-c.com

**FLUID END EXPENDABLES**

**IDECO**

**T-800**

**7 x 9**

	LINERS	ZIRCONIA LINERS	LINER GASKETS	PISTONS				PISTON RUBBERS
SIZE	PART NUMBER	PART NUMBER	PART NUMBER	URETHANE BONDED	RUBBER BONDED	N'DURALL BONDED	REPLACEABLE RUBBER	PART NUMBER
4"	TS-0230-40HP	TS-07502400	G-783 *	LLU-40-K15	LL-40-K15	HPW-40-K15	I-40-K15	TM-40-KR
4 1/2"	TS-0230-44HP	TS-07502450	G-783 *	LLU-44-B15	LL-44-B15	HPW-44-B15	I-44-B15	TM-44-BR
5"	TS-0230-50HP	TS-07502500	G-783 *	LLU-50-B15	LL-50-B15	HPW-50-B15	I-50-B15	TM-50-BR
5 1/2"	TS-0230-54HP	TS-07502550	G-783 *	LLU-54-B15	LL-54-B15	HPW-54-B15	I-54-B15	TM-54-BR
5 3/4"	TS-0230-56HP	TS-07502575	G-783 *	LLU-56-B15	LL-56-B15	HPW-56-B15	I-56-B15	TM-56-BR
6"	TS-0230-60HP	TS-07502600	G-783 *	LLU-60-B15	LL-60-B15	HPW-60-B15	I-60-B15	TM-60-BR
6 1/4"	TS-0230-62HP	TS-07502625	G-783 *	LLU-62-L15	LL-62-L15	HPW-62-L15	I-62-L15	TM-62-LR
6 1/2"	TS-0230-64HP	TS-07502650	G-783 *	LLU-64-L15	LL-64-L15	HPW-64-L15	I-64-L15	TM-64-LR
6 3/4"	TS-0230-66HP	TS-07502675	G-783 *	LLU-66-L15	LL-66-L15	HPW-66-L15	I-66-L15	TM-66-LR
7"	TS-0230-70HP	TS-07502700	G-783 *	LLU-70-L15	LL-70-L15	HPW-70-L15	I-70-L15	TM-70-LR
VALVES, SEATS, SPRINGS						GASKETS		
	4 WEB DESIGN	3 WEB DESIGN	FULL OPEN (1)	FULL OPEN (2)		PART NUMBER		
VALVE	TS-6-EH	-	TS-0995M	TS-6-V1	VALVE COVER GASKET	G-783 *		
SEAT	TS-6-ADDB6	-	TS-1380M	TS-6-S6	CYLINDER HEAD GASKET	G-783 *		
SPRING	TS-5710-115	-	TS-0701M	TS-5710-115	WEAR PLATE GASKET	G-292 *		
INSERT (Urethane)	TS-6-WI	-	TS-6-MI	TS-6-FI	EXTENSION ROD SEAL	TS-IP-805		
INSERT (Rubber)	TS-6-WR	-	-	TS-6-FR	EXTENSION ROD BAFFLE	TS-551-406-09		
PISTON ROD & EXTENSION ROD								
ROD CLAMP	PISTON ROD STUD	PISTON NUT	THREADED TYPE PISTON ROD	CLAMP TYPE PISTON ROD	SUB ROD	THREADED TYPE EXTENSION ROD	CLAMP TYPE EXTENSION ROD	
TMT10-03-08	-	TM-NUT	-	TM-230	N/A	-	TMT08-01-06	
FLUID END MODULE								
FLUID END MODULE STUDDED				MODULE SEAL SET		STUDS & NUTS SET		
TS-551-458				TMT10-SEALKIT		TMT10-STUDSET		

TSC does not warrant or represent that any of such information is accurate, or that any products listed are compatible with each other. Any deviations from the OEM products should be verified as to compatibility.

TSC Manufacturing and Supply LLC, 13788 West Road, Suite 100, Houston, Texas 77041, USA  
 Tel: +1 832 456 3900 Fax: +1 832 456 3998 E-mail: sales@t-s-c.com

## FLUID END EXPENDABLES

**IDECO**

**T-1000**

**7 x 10**

	LINERS	ZIRCONIA LINERS	LINER GASKETS	PISTONS				PISTON RUBBERS
SIZE	PART NUMBER	PART NUMBER	PART NUMBER	URETHANE BONDED	RUBBER BONDED	N'DURALL BONDED	REPLACEABLE RUBBER	PART NUMBER
4"	TS-0230-40HP	TS-07502400	G-783 *	LLU-40-K15	LL-40-K15	HPW-40-K15	I-40-K15	TM-40-KR
4 1/2"	TS-0230-44HP	TS-07502450	G-783 *	LLU-44-B15	LL-44-B15	HPW-44-B15	I-44-B15	TM-44-BR
5"	TS-0230-50HP	TS-07502500	G-783 *	LLU-50-B15	LL-50-B15	HPW-50-B15	I-50-B15	TM-50-BR
5 1/2"	TS-0230-54HP	TS-07502550	G-783 *	LLU-54-B15	LL-54-B15	HPW-54-B15	I-54-B15	TM-54-BR
5 3/4"	TS-0230-56HP	TS-07502575	G-783 *	LLU-56-B15	LL-56-B15	HPW-56-B15	I-56-B15	TM-56-BR
6"	TS-0230-60HP	TS-07502600	G-783 *	LLU-60-B15	LL-60-B15	HPW-60-B15	I-60-B15	TM-60-BR
6 1/4"	TS-0230-62HP	TS-07502625	G-783 *	LLU-62-L15	LL-62-L15	HPW-62-L15	I-62-L15	TM-62-LR
6 1/2"	TS-0230-64HP	TS-07502650	G-783 *	LLU-64-L15	LL-64-L15	HPW-64-L15	I-64-L15	TM-64-LR
6 3/4"	TS-0230-66HP	TS-07502675	G-783 *	LLU-66-L15	LL-66-L15	HPW-66-L15	I-66-L15	TM-66-LR
7"	TS-0230-70HP	TS-07502700	G-783 *	LLU-70-L15	LL-70-L15	HPW-70-L15	I-70-L15	TM-70-LR
VALVES, SEATS, SPRINGS						GASKETS		
	4 WEB DESIGN	3 WEB DESIGN	FULL OPEN (1)	FULL OPEN (2)		PART NUMBER		
VALVE	TS-6-EH	-	TS-0995M	TS-6-V1	VALVE COVER GASKET	G-783 *		
SEAT	TS-6-ADDB6	-	TS-1380M	TS-6-S6	CYLINDER HEAD GASKET	G-783 *		
SPRING	TS-5710-115	-	TS-0701M	TS-5710-115	WEAR PLATE GASKET	G-292 *		
INSERT (Urethane)	TS-6-WI	-	TS-6-MI	TS-6-FI	EXTENSION ROD SEAL	TS-IP-805		
INSERT (Rubber)	TS-6-WR	-	-	TS-6-FR	EXTENSION ROD BAFFLE	TS-551-406-09		
PISTON ROD & EXTENSION ROD								
ROD CLAMP	PISTON ROD STUD	PISTON NUT	THREADED TYPE PISTON ROD	CLAMP TYPE PISTON ROD	SUB ROD	THREADED TYPE EXTENSION ROD	CLAMP TYPE EXTENSION ROD	
TMT10-03-08	N/A	TM-NUT	N/A	TM-230	N/A	N/A	TMT10-01-06	
FLUID END MODULE								
FLUID END MODULE STUDDED				MODULE SEAL SET		STUDS & NUTS SET		
TS-551-458				TMT10-SEALKIT		TMT10-STUDSET		

TSC does not warrant or represent that any of such information is accurate, or that any products listed are compatible with each other.  
Any deviations from the OEM products should be verified as to compatibility.

TSC Manufacturing and Supply LLC, 13788 West Road, Suite 100, Houston, Texas 77041, USA  
Tel: +1 832 456 3900 Fax: +1 832 456 3998 E-mail: sales@t-s-c.com

## FLUID END EXPENDABLES

IDECO

T-1300

7-1/2 x 12

	LINERS	ZIRCONIA LINERS	LINER GASKETS	PISTONS				PISTON RUBBERS
SIZE	PART NUMBER	PART NUMBER	PART NUMBER	URETHANE BONDED	RUBBER BONDED	N'DURALL BONDED	REPLACEABLE RUBBER	PART NUMBER
4"	TS-0233-40HP	TS-07507400	G-782 *	LLU-40-K15	LL-40-K15	HPW-40-K15	I-40-K15	TM-40-KR
4 1/2"	TS-0233-44HP	TS-07507450	G-782 *	LLU-44-B15	LL-44-B15	HPW-44-B15	I-44-B15	TM-44-BR
5"	TS-0233-50HP	TS-07507500	G-782 *	LLU-50-B15	LL-50-B15	HPW-50-B15	I-50-B15	TM-50-BR
5 1/2"	TS-0233-54HP	TS-07507550	G-782 *	LLU-54-B15	LL-54-B15	HPW-54-B15	I-54-B15	TM-54-BR
5 3/4"	TS-0233-56HP	TS-07507575	G-782 *	LLU-56-B15	LL-56-B15	HPW-56-B15	I-56-B15	TM-56-BR
6"	TS-0233-60HP	TS-07507600	G-782 *	LLU-60-B15	LL-60-B15	HPW-60-B15	I-60-B15	TM-60-BR
6 1/4"	TS-0233-62HP	TS-07507625	G-782 *	LLU-62-L15	LL-62-L15	HPW-62-L15	I-62-L15	TM-62-LR
6 1/2"	TS-0233-64HP	TS-07507650	G-782 *	LLU-64-L15	LL-64-L15	HPW-64-L15	I-64-L15	TM-64-LR
6 3/4"	TS-0233-66HP	TS-07507675	G-782 *	LLU-66-L15	LL-66-L15	HPW-66-L15	I-66-L15	TM-66-LR
7"	TS-0233-70HP	TS-07507700	G-782 *	LLU-70-L15	LL-70-L15	HPW-70-L15	I-70-L15	TM-70-LR
7-1/4"	TS-0233-72HP	TS-07507725	G-782 *	LLU-72-L15	LL-72-L15	HPW-72-L15	I-72-L15	TM-72-LR
7-1/2"	TS-0233-74HP	TS-07507750	G-782 *	LLU-74-L15	LL-74-L15	HPW-74-L15	I-74-L15	TM-74-LR
VALVES, SEATS, SPRINGS						GASKETS		
	4 WEB DESIGN	3 WEB DESIGN	FULL OPEN (1)	FULL OPEN (2)		PART NUMBER		
VALVE	TS-7-EEF	TS-202482	TS-0985M	TS-7-V1	VALVE COVER GASKET	G-782 *		
SEAT	TS-7-DDB1	TS-202039	TS-1370M	TS-7-S1	CYLINDER HEAD GASKET	G-782 *		
SPRING	TS-5710-115	-	TS-0702M	TS-5710-115L	WEAR PLATE GASKET	TS-2930-10 *		
INSERT (Urethane)	TS-7-WI	TS-201106	TS-7-MI	TS-7-FI	EXTENSION ROD SEAL	TS-IP-804		
INSERT (Rubber)	TS-7-WR	TS-201107	-	-	EXTENSION ROD BAFFLE	TS-450-06-12		
PISTON ROD & EXTENSION ROD								
ROD CLAMP	PISTON ROD STUD	PISTON NUT	THREADED TYPE PISTON ROD	CLAMP TYPE PISTON ROD	SUB ROD	THREADED TYPE EXTENSION ROD	CLAMP TYPE EXTENSION ROD	
TMT16-03-08	N/A	TM-NUT	N/A	TM-233	N/A	N/A	TMT16-01-06	
FLUID END MODULE								
FLUID END MODULE STUDDED				MODULE SEAL SET		STUDS & NUTS SET		
TS-551-122-01				TMT16-SEALKIT		TMT16-STUDSET		

TSC does not warrant or represent that any of such information is accurate, or that any products listed are compatible with each other. Any deviations from the OEM products should be verified as to compatibility.

TSC Manufacturing and Supply LLC, 13788 West Road, Suite 100, Houston, Texas 77041, USA  
 Tel: +1 832 456 3900 Fax: +1 832 456 3998 E-mail: sales@t-s-c.com

## FLUID END EXPENDABLES

**IDECO**

**T-1600**

**7-1/2 x 12**

	LINERS	ZIRCONIA LINERS	LINER GASKETS	PISTONS				PISTON RUBBERS
SIZE	PART NUMBER	PART NUMBER	PART NUMBER	URETHANE BONDED	RUBBER BONDED	N'DURALL BONDED	REPLACEABLE RUBBER	PART NUMBER
4"	TS-0233-40HP	TS-07507400	G-782 *	LLU-40-K15	LL-40-K15	HPW-40-K15	I-40-K15	TM-40-KR
4 1/2"	TS-0233-44HP	TS-07507450	G-782 *	LLU-44-B15	LL-44-B15	HPW-44-B15	I-44-B15	TM-44-BR
5"	TS-0233-50HP	TS-07507500	G-782 *	LLU-50-B15	LL-50-B15	HPW-50-B15	I-50-B15	TM-50-BR
5 1/2"	TS-0233-54HP	TS-07507550	G-782 *	LLU-54-B15	LL-54-B15	HPW-54-B15	I-54-B15	TM-54-BR
5 3/4"	TS-0233-56HP	TS-07507575	G-782 *	LLU-56-B15	LL-56-B15	HPW-56-B15	I-56-B15	TM-56-BR
6"	TS-0233-60HP	TS-07507600	G-782 *	LLU-60-B15	LL-60-B15	HPW-60-B15	I-60-B15	TM-60-BR
6 1/4"	TS-0233-62HP	TS-07507625	G-782 *	LLU-62-L15	LL-62-L15	HPW-62-L15	I-62-L15	TM-62-LR
6 1/2"	TS-0233-64HP	TS-07507650	G-782 *	LLU-64-L15	LL-64-L15	HPW-64-L15	I-64-L15	TM-64-LR
6 3/4"	TS-0233-66HP	TS-07507675	G-782 *	LLU-66-L15	LL-66-L15	HPW-66-L15	I-66-L15	TM-66-LR
7"	TS-0233-70HP	TS-07507700	G-782 *	LLU-70-L15	LL-70-L15	HPW-70-L15	I-70-L15	TM-70-LR
7-1/4"	TS-0233-72HP	TS-07507725	G-782 *	LLU-72-L15	LL-72-L15	HPW-72-L15	I-72-L15	TM-72-LR
7-1/2"	TS-0233-74HP	TS-07507750	G-782 *	LLU-74-L15	LL-74-L15	HPW-74-L15	I-74-L15	TM-74-LR
VALVES, SEATS, SPRINGS						GASKETS		
	4 WEB DESIGN	3 WEB DESIGN	FULL OPEN (1)	FULL OPEN (2)			PART NUMBER	
VALVE	TS-7-EEF	TS-202482	TS-0985M	TS-7-V1	VALVE COVER GASKET		G-782 *	
SEAT	TS-7-DDB1	TS-202039	TS-1370M	TS-7-S1	CYLINDER HEAD GASKET		G-782 *	
SPRING	TS-5710-115	-	TS-0702M	TS-5710-115L	WEAR PLATE GASKET		TS-2930-10 *	
INSERT (Urethane)	TS-7-WI	TS-201106	TS-7-MI	TS-7-FI	EXTENSION ROD SEAL		TS-IP-804	
INSERT (Rubber)	TS-7-WR	TS-201107	-	-	EXTENSION ROD BAFFLE		TS-450-06-12	
PISTON ROD & EXTENSION ROD								
ROD CLAMP	PISTON ROD STUD	PISTON NUT	THREADED TYPE PISTON ROD	CLAMP TYPE PISTON ROD	SUB ROD	THREADED TYPE EXTENSION ROD	CLAMP TYPE EXTENSION ROD	
TMT16-03-08	N/A	TM-NUT	N/A	TM-233	N/A	N/A	TMT16-01-06	
FLUID END MODULE								
FLUID END MODULE STUDDED				MODULE SEAL SET		STUDS & NUTS SET		
TS-551-122-01				TMT16-SEALKIT		TMT16-STUDSET		

TSC does not warrant or represent that any of such information is accurate, or that any products listed are compatible with each other. Any deviations from the OEM products should be verified as to compatibility.

TSC Manufacturing and Supply LLC, 13788 West Road, Suite 100, Houston, Texas 77041, USA  
 Tel: +1 832 456 3900 Fax: +1 832 456 3998 E-mail: sales@t-s-c.com

## FLUID END EXPENDABLES

**NATIONAL**
**JWS-165**
**4-1/2 x 5**

	LINERS		LINER GASKETS		PISTONS			PISTON RUBBERS
SIZE	PART NUMBER	PART NUMBER	URETHANE BONDED	RUBBER BONDED	N'DURALL BONDED	REPLACEABLE RUBBER	PART NUMBER	
3-1/2"	TS-0240-34HP	G-925C	LLU-34-K10	LL-34-K10	-	I-34-K10.	TM-34-KR	
4"	TS-0240-40HP	G-925C	LLU-40-K10	LL-40-K10	-	I-40-K10	TM-40-KR	
4-1/2"	TS-0240-44Cr	G-925C	LLU-44-B10	LL-44-B10	HPW-44-B10	I-44-B10	TM-44-BR	
VALVES, SEATS, SPRINGS					GASKETS			
	4 WEB DESIGN	3 WEB DESIGN	FULL OPEN (1)	FULL OPEN (2)			PART NUMBER	
VALVE	-	-	TS-1575M	TS-4-V7	VALVE COVER GASKET		G-1718265	
SUCTION SEAT	-	-	TS-1571M	TS-4-S17	CYLINDER HEAD GASKET		-	
DISCHARGE SEAT	-	-	TS-1572M	TS-4-S18				
SUCTION SPRING	-	-	TS-1712211	TS-19000-6	WEAR PLATE GASKET		-	
DISCHARGE SPRING	-	-	TS-1712206	TS-5710-118				
INSERT (Urethane)	-	-	TS-0697M	TS-4-FIA	EXTENSION ROD SEAL		-	
INSERT (Rubber)	-	-	TS-1577M	-	EXTENSION ROD BAFFLE		-	
PISTON ROD & EXTENSION ROD								
ROD CLAMP	PISTON ROD STUD	PISTON NUT	THREADED TYPE PISTON ROD	CLAMP TYPE PISTON ROD	SUB ROD	THREADED TYPE EXTENSION ROD	CLAMP TYPE EXTENSION ROD	
TM165-03-08	N/A	TM-NUT1	N/A	TM-165-A	TM-165-B	N/A	TM-165-C	
FLUID END MODULE								
SUCTION MODULE STUDED		DISCHARGE MODULE STUDED		MODULE SEAL SET		STUDS & NUTS SET		
-		-		-		-		

TSC does not warrant or represent that any of such information is accurate, or that any products listed are compatible with each other.  
Any deviations from the OEM products should be verified as to compatibility.



## FLUID END EXPENDABLES

**NATIONAL**

**JWS-340**

**4-1/2 x 5**

LINERS		LINER GASKETS		PISTONS				PISTON RUBBERS
SIZE	PART NUMBER	PART NUMBER	URETHANE BONDED	RUBBER BONDED	N'DURALL BONDED	REPLACEABLE RUBBER	PART NUMBER	
3-1/2"	TS-0240-34HP	G-925C	LLU-34-K10	LL-34-K10	HPW-34-K10	I-34-K10	TM-34-KR	
4"	TS-0240-40HP	G-925C	LLU-40-K10	LL-40-K10	HPW-40-K10	I-40-K10	TM-40-KR	
4-1/2"	TS-0240-44Cr	G-925C	LLU-44-B10	LL-44-B10	HPW-44-B10	I-44-B10	TM-44-BR	
PLUNGER	STUFFING BOX	ADJUSTING NUT	GLAND	ADAPTER	LUBE RING	WASHER	PACKING	
2-3/4"	TS-1717829-1	TS-1717740-2	TS-1717762-2	TS-1717762-2	TS-1717772-2	TS-1717792-2	TS-6400035	
3	TS-17179011	TS-1717902	TS-1712090	-	TS-1717331-2	TS-1717321-2	TS-6423002	
3-1/2"	TS-1717835-1	TS-1717741-2	TS-1717765-2	TS-1717785-2	TS-1717775-2	TS-1717795-2	TS-6400038	
4"	TS-1717837-1	TS-1717743-2	TS-1717787-2	TS-1717767-2	TS-1717777-2	TS-1717797-2	TS-6400040	
VALVES, SEATS, SPRINGS					GASKETS			
	4 WEB DESIGN	3 WEB DESIGN	FULL OPEN (1)	FULL OPEN (2)		PART NUMBER		
VALVE	-	-	TS-1575M	TS-4-V7	VALVE COVER GASKET	G-1718265		
SEAT SUCTION	-	-	TS-1571M	TS-4-S17	CYLINDER HEAD GASKET	-		
SEAT DISCHARGE	-	-	TS-1572M	TS-4-S18	WEAR PLATE GASKET	-		
SUCTION SPRING	-	-	TS-1712211	TS-19000-6	EXTENSION ROD SEAL	-		
DISCHARGE SPRING	-	-	TS-1712206	TS-5710-118				
INSERT (Urethane)	-	-	TS-1577M	TS-4-FIA	EXTENSION ROD BAFFLE	TS-1717016		
INSERT (Rubber)	-	-	-	-		-		
PISTON ROD & EXTENSION ROD								
ROD CLAMP	PISTON ROD STUD	PISTON NUT	THREADED TYPE PISTON ROD	CLAMP TYPE PISTON ROD	SUB ROD	THREADED TYPE EXTENSION ROD	CLAMP TYPE EXTENSION ROD	
TM165-03-08	N/A	TM-NUT1	N/A	TM-165-A	TM-165-B	N/A	TM-165C	
FLUID END MODULE								
FLUID END MODULE				MODULE SEAL SET		STUDS & NUTS SET		
TS-171719612				TMJWS34-SEALKIT		TMJWS34-STUDSET		

TSC does not warrant or represent that any of such information is accurate, or that any products listed are compatible with each other. Any deviations from the OEM products should be verified as to compatibility.

TSC Manufacturing and Supply LLC, 13788 West Road, Suite 100, Houston, Texas 77041, USA  
 Tel: +1 832 456 3900 Fax: +1 832 456 3998 E-mail: sales@t-s-c.com



## FLUID END EXPENDABLES

**NATIONAL**
**JWS-400**
**6 x 8-1/2**

	LINERS		LINER GASKETS	PISTONS			PISTON RUBBERS
SIZE	PART NUMBER	PART NUMBER	URETHANE BONDED	RUBBER BONDED	N'DURALL BONDED	REPLACEABLE RUBBER	PART NUMBER
4"	TS-4701-40HP	G-272	LLU-40-K15	LL-40-K15	HPW-40-K15	I-40-K15	TM-40-KR
4 1/2"	TS-4701-44HP	G-274	LLU-44-B15	LL-44-B15	HPW-44-B15	I-44-B15	TM-44-BR
5"	TS-4701-50HP	G-276	LLU-50-B15	LL-50-B15	HPW-50-B15	I-50-B15	TM-50-BR
5 1/2"	TS-4701-54HP	G-278	LLU-54-B15	LL-54-B15	HPW-54-B15	I-54-B15	TM-54-BR
5 3/4"	TS-4701-56HP	-	LLU-56-B15	LL-56-B15	HPW-56-B15	I-56-B15	TM-56-BR
6"	TS-4701-60HP	G-280	LLU-60-B15	LL-60-B15	HPW-60-B15	I-60-B15	TM-60-BR
VALVES, SEATS, SPRINGS					GASKETS		
	4 WEB DESIGN	3 WEB DESIGN	FULL OPEN (1)	FULL OPEN (2)		PART NUMBER	
VALVE	-	-	-	-	VALVE COVER GASKET	-	
SEAT	-	-	-	-	CYLINDER HEAD GASKET	-	
SPRING	-	-	-	-	WEAR PLATE GASKET	-	
INSERT (Urethane)	-	-	-	-	EXTENSION ROD SEAL	-	
INSERT (Rubber)	-	-	-	-	EXTENSION ROD BAFFLE	-	
PISTON ROD & EXTENSION ROD							
ROD CLAMP	PISTON ROD STUD	PISTON NUT	THREADED TYPE PISTON ROD	CLAMP TYPE PISTON ROD	SUB ROD	THREADED TYPE EXTENSION ROD	CLAMP TYPE EXTENSION ROD
TM400-03-08	TM-NUT	-	-	TM-400-A	TM-400-B	-	TM-400-C
FLUID END MODULE							
SUCTION MODULE STUDD		DISCHARGE MODULE STUDD		MODULE SEAL SET		STUDS & NUTS SET	
-		-		-		-	

TSC does not warrant or represent that any of such information is accurate, or that any products listed are compatible with each other.  
Any deviations from the OEM products should be verified as to compatibility.

**FLUID END EXPENDABLES**

**NATIONAL**

**7-P-50**

**6-1/4 x 7**

LINERS		LINER GASKETS	PISTONS				PISTON RUBBERS
SIZE	PART NUMBER	PART NUMBER	URETHANE BONDED	RUBBER BONDED	N'DURALL BONDED	REPLACEABLE RUBBER	PART NUMBER
4"	TS-0257-40HP	G-272 *	LLU-40-K15	LL-40-K15	HPW-40-K15	I-40-K15	TM-40-KR
4 1/2"	TS-0257-44HP	G-274 *	LLU-44-B15	LL-44-B15	HPW-44-B15	I-44-B15	TM-44-BR
5"	TS-0257-50HP	G-276 *	LLU-50-B15	LL-50-B15	HPW-50-B15	I-50-B15	TM-50-BR
5 1/2"	TS-0257-54HP	G-278 *	LLU-54-B15	LL-54-B15	HPW-54-B15	I-54-B15	TM-54-BR
5 3/4"	TS-0257-56HP	-	LLU-56-B15	LL-56-B15	HPW-56-B15	I-56-B15	TM-56-BR
6"	TS-0257-60HP	G-280 *	LLU-60-B15	LL-60-B15	HPW-60-B15	I-60-B15	TM-60-BR
6 1/4"	TS-0257-62HP	G-268 *	LLU-62-L15	LL-62-L15	HPW-62-L15	I-62-L15	TM-62-LR
VALVES, SEATS, SPRINGS					GASKETS		
	4 WEB DESIGN	3 WEB DESIGN	FULL OPEN (1)	FULL OPEN (2)		PART NUMBER	
VALVE	TS-5-M5B5	-	-	TS-5-V1	VALVE COVER GASKET	G-788 *	
SEAT	TS-5-DDB3	-	-	TS-5-S3	CYLINDER HEAD GASKET	-	
SPRING	TS-5710-115	-	-	TS-5710-115	WEAR PLATE GASKET	TS-1294192	
INSERT (Urethane)	TS-5-WI	-	-	TS-5-FI	EXTENSION ROD SEAL	TS-720-9100	
INSERT (Rubber)	-	-	-	-	EXTENSION ROD BAFFLE	-	
PISTON ROD & EXTENSION ROD							
ROD CLAMP	PISTON ROD STUD	PISTON NUT	THREADED TYPE PISTON ROD	CLAMP TYPE PISTON ROD	SUB ROD	THREADED TYPE EXTENSION ROD	CLAMP TYPE EXTENSION ROD
TM07P-03-08	N/A	TM-NUT	N/A	TM-257-A	TM-257-B	N/A	TM07P-01-06
FLUID END MODULE							
SUCTION MODULE STUDED		DISCHARGE MODULE STUDED		MODULE SEAL SET		STUDS & NUTS SET	
TS-1294156		TS-1294151		-		-	

TSC does not warrant or represent that any of such information is accurate, or that any products listed are compatible with each other. Any deviations from the OEM products should be verified as to compatibility.

TSC Manufacturing and Supply LLC, 13788 West Road, Suite 100, Houston, Texas 77041, USA  
 Tel: +1 832 456 3900 Fax: +1 832 456 3998 E-mail: sales@t-s-c.com

## FLUID END EXPENDABLES

NATIONAL

8-P-80

6-1/2 x 8-1/2

	LINERS	ZIRCONIA LINERS	LINER GASKETS	PISTONS				PISTON RUBBERS
SIZE	PART NUMBER	PART NUMBER	PART NUMBER	URETHANE BONDED	RUBBER BONDED	N'DURALL BONDED	REPLACEABLE RUBBER	PART NUMBER
4"	TS-0256-40HP	TS-07464400	G-272 *	LLU-40-K15	LL-40-K15	HPW-40-K15	I-40-K15	TM-40-KR
4 1/2"	TS-0256-44HP	TS-07464450	G-274 *	LLU-44-B15	LL-44-B15	HPW-44-B15	I-44-B15	TM-44-BR
5"	TS-0256-50HP	TS-07464500	G-276 *	LLU-50-B15	LL-50-B15	HPW-50-B15	I-50-B15	TM-50-BR
5 1/2"	TS-0256-54HP	TS-07464550	G-278 *	LLU-54-B15	LL-54-B15	HPW-54-B15	I-54-B15	TM-54-BR
5 3/4"	TS-0256-56HP	TS-07464575	-	LLU-56-B15	LL-56-B15	HPW-56-B15	I-56-B15	TM-56-BR
6"	TS-0256-60HP	TS-07464600	G-280 *	LLU-60-B15	LL-60-B15	HPW-60-B15	I-60-B15	TM-60-BR
6 1/4"	TS-0256-62HP	TS-07464625	G-268 *	LLU-62-L15	LL-62-L15	HPW-62-L15	I-62-L15	TM-62-LR
6 1/2"	TS-0256-64HP	TS-07464650	-	LLU-64-L15	LL-64-L15	HPW-64-L15	I-64-L15	TM-64-LR
VALVES, SEATS, SPRINGS						GASKETS		
	4 WEB DESIGN	3 WEB DESIGN	FULL OPEN (1)	FULL OPEN (2)		PART NUMBER		
VALVE	TS-6-EH	-	TS-0995M	TS-6-V1	VALVE COVER GASKET	G-768 *		
SEAT	TS-6-ADDB4	-	TS-1450M	TS-6-S4	CYLINDER HEAD GASKET	-		
SPRING	TS-5710-115	-	TS-0701M	TS-5710-115	WEAR PLATE GASKET	TS-1290344		
INSERT (Urethane)	TS-6-WI	-	TS-6-MI	TS-6-FI	EXTENSION ROD SEAL	TS-1291182		
INSERT (Rubber)	TS-6-WR	-	-	TS-6-FR	EXTENSION ROD BAFFLE	TS-1291194		
PISTON ROD & EXTENSION ROD								
ROD CLAMP	PISTON ROD STUD	PISTON NUT	THREADED TYPE PISTON ROD	CLAMP TYPE PISTON ROD	SUB ROD	THREADED TYPE EXTENSION ROD	CLAMP TYPE EXTENSION ROD	
TM08P-03-08	N/A	TM-NUT	N/A	TM-259-A	TM-259-B	N/A	TM08P-01-06	
FLUID END MODULE								
SUCTION MODULE STUDDER	DISCHARGE MODULE STUDDER	MODULE SEAL SET			STUDS & NUTS SET			
TS-1290338	TS-1291280	TM08P-SEALKIT			TM08P-STUDSETD TM08P-STUDSETS			

TSC does not warrant or represent that any of such information is accurate, or that any products listed are compatible with each other. Any deviations from the OEM products should be verified as to compatibility.

TSC Manufacturing and Supply LLC, 13788 West Road, Suite 100, Houston, Texas 77041, USA  
Tel: +1 832 456 3900 Fax: +1 832 456 3998 E-mail: sales@t-s-c.com

## FLUID END EXPENDABLES

**NATIONAL**

**9-P-100**

**6-3/4 x 9**

LINERS		ZIRCONIA LINERS	LINER GASKETS	PISTONS				PISTON RUBBERS
SIZE	PART NUMBER	PART NUMBER	PART NUMBER	URETHANE BONDED	RUBBER BONDED	N'DURALL BONDED	REPLACEABLE RUBBER	PART NUMBER
4"	TS-0255-40HP	TS-07465400	G-274 *	LLU-40-K15	LL-40-K15	HPW-40-K15	I-40-K15	TM-40-KR
4 1/2"	TS-0255-44HP	TS-07465450	G-274 *	LLU-44-B15	LL-44-B15	HPW-44-B15	I-44-B15	TM-44-BR
5"	TS-0255-50HP	TS-07465500	G-265 *	LLU-50-B15	LL-50-B15	HPW-50-B15	I-50-B15	TM-50-BR
5 1/2"	TS-0255-54HP	TS-07465550	G-263 *	LLU-54-B15	LL-54-B15	HPW-54-B15	I-54-B15	TM-54-BR
5 3/4"	TS-0255-56HP	TS-07465575	-	LLU-56-B15	LL-56-B15	HPW-56-B15	I-56-B15	TM-56-BR
6"	TS-0255-60HP	TS-07465600	G-261 *	LLU-60-B15	LL-60-B15	HPW-60-B15	I-60-B15	TM-60-BR
6 1/4"	TS-0255-62HP	TS-07465625	G-283 *	LLU-62-L15	LL-62-L15	HPW-62-L15	I-62-L15	TM-62-LR
6 1/2"	TS-0255-64HP	TS-07465650	G-768 *	LLU-64-L15	LL-64-L15	HPW-64-L15	I-64-L15	TM-64-LR
6 3/4"	TS-0255-66HP	TS-07465675	-	LLU-66-L15	LL-66-L15	HPW-66-L15	I-66-L15	TM-66-LR
VALVES, SEATS, SPRINGS						GASKETS		
	4 WEB DESIGN	3 WEB DESIGN	FULL OPEN (1)	FULL OPEN (2)			PART NUMBER	
VALVE	TS-6-EH	-	TS-0995M	TS-6-V1	VALVE COVER GASKET		G-768 *	
SEAT	TS-6-ADDB4	-	TS-1450M	TS-6-S4	CYLINDER HEAD GASKET		-	
SPRING	TS-5710-115	-	TS-0701M	TS-5710-115	WEAR PLATE GASKET		TS-1290344	
INSERT (Urethane)	TS-6-WI	-	TS-6-MI	TS-6-FI	EXTENSION ROD SEAL		TS-1293182	
INSERT (Rubber)	TS-6-WR	-	-	TS-6-FR	EXTENSION ROD BAFFLE		TS-1293194	
PISTON ROD & EXTENSION ROD								
ROD CLAMP	PISTON ROD STUD	PISTON NUT	THREADED TYPE PISTON ROD	CLAMP TYPE PISTON ROD	SUB ROD	THREADED TYPE EXTENSION ROD	CLAMP TYPE EXTENSION ROD	
TM09P-03-08	N/A	TM-NUT	N/A	TM-260-A	TM-260-B	N/A	TM09P-01-06	
FLUID END MODULE								
SUCTION MODULE STUDED		DISCHARGE MODULE STUDED		MODULE SEAL SET		STUDS & NUTS SET		
TS-1290338		TS-1293240		TM09P-SEALKIT		TM09P-STUDSETD TM09P-STUDSETS		

TSC does not warrant or represent that any of such information is accurate, or that any products listed are compatible with each other. Any deviations from the OEM products should be verified as to compatibility.

TSC Manufacturing and Supply LLC, 13788 West Road, Suite 100, Houston, Texas 77041, USA  
Tel: +1 832 456 3900 Fax: +1 832 456 3998 E-mail: sales@t-s-c.com



**FLUID END EXPENDABLES**

**NATIONAL**

**10-P-130**

**6-3/4 x 10**

	LINERS	ZIRCONIA LINERS	LINER GASKETS	PISTONS				PISTON RUBBERS
SIZE	PART NUMBER	PART NUMBER	PART NUMBER	URETHANE BONDED	RUBBER BONDED	N'DURALL BONDED	REPLACEABLE RUBBER	PART NUMBER
4"	TS-0255-40HP	TS-07465400	G-274 *	LLU-40-K15	LL-40-K15	HPW-40-K15	I-40-K15	TM-40-KR
4 1/2"	TS-0255-44HP	TS-07465450	G-274 *	LLU-44-B15	LL-44-B15	HPW-44-B15	I-44-B15	TM-44-BR
5"	TS-0255-50HP	TS-07465500	G-265 *	LLU-50-B15	LL-50-B15	HPW-50-B15	I-50-B15	TM-50-BR
5 1/2"	TS-0255-54HP	TS-07465550	G-263 *	LLU-54-B15	LL-54-B15	HPW-54-B15	I-54-B15	TM-54-BR
5 3/4"	TS-0255-56HP	TS-07465575	-	LLU-56-B15	LL-56-B15	HPW-56-B15	I-56-B15	TM-56-BR
6"	TS-0255-60HP	TS-07465600	G-261 *	LLU-60-B15	LL-60-B15	HPW-60-B15	I-60-B15	TM-60-BR
6 1/4"	TS-0255-62HP	TS-07465625	G-283 *	LLU-62-L15	LL-62-L15	HPW-62-L15	I-62-L15	TM-62-LR
6 1/2"	TS-0255-64HP	TS-07465650	G-768 *	LLU-64-L15	LL-64-L15	HPW-64-L15	I-64-L15	TM-64-LR
6 3/4"	TS-0255-66HP	TS-07465675	-	LLU-66-L15	LL-66-L15	HPW-66-L15	I-66-L15	TM-66-LR
VALVES, SEATS, SPRINGS						GASKETS		
	4 WEB DESIGN	3 WEB DESIGN	FULL OPEN (1)	FULL OPEN (2)		PART NUMBER		
VALVE	TS-6-EH	-	TS-0995M	TS-6-V1	VALVE COVER GASKET	G-768 *		
SEAT	TS-6-ADDB4	-	TS-1450M	TS-6-S4	CYLINDER HEAD GASKET	-		
SPRING	TS-5710-115	-	TS-0701M	TS-5710-115	WEAR PLATE GASKET	TS-1290344		
INSERT (Urethane)	TS-6-WI	-	TS-6-MI	TS-6-FI	EXTENSION ROD SEAL	TS-1283089		
INSERT (Rubber)	TS-6-WR	-	-	TS-6-FR	EXTENSION ROD BAFFLE	TS-1290194		
PISTON ROD & EXTENSION ROD								
ROD CLAMP	PISTON ROD STUD	PISTON NUT	THREADED TYPE PISTON ROD	CLAMP TYPE PISTON ROD	SUB ROD	THREADED TYPE EXTENSION ROD	CLAMP TYPE EXTENSION ROD	
TM10P-03-08	N/A	TM-NUT	N/A	TM-256-A	TM-256-B	N/A	TM10P-01-06	
FLUID END MODULE								
SUCTION MODULE STUDDER		DISCHARGE MODULE STUDDER		MODULE SEAL SET		STUDS & NUTS SET		
TS-1290338		TS-1290335		TM10P-SEALKIT		TM10P-STUDSETD TM10P-STUDSETS		

TSC does not warrant or represent that any of such information is accurate, or that any products listed are compatible with each other. Any deviations from the OEM products should be verified as to compatibility.

TSC Manufacturing and Supply LLC, 13788 West Road, Suite 100, Houston, Texas 77041, USA  
Tel: +1 832 456 3900 Fax: +1 832 456 3998 E-mail: sales@t-s-c.com

**FLUID END EXPENDABLES**

**NATIONAL**

**12-P-160**

**7-1/2 x 12**

	LINERS	ZIRCONIA LINERS	LINER GASKETS	PISTONS				PISTON RUBBERS
SIZE	PART NUMBER	PART NUMBER	PART NUMBER	URETHANE BONDED	RUBBER BONDED	N'DURALL BONDED	REPLACEABLE RUBBER	PART NUMBER
4"	TS-0259-40HP	TS-07466400	G-265 *	LLU-40-K15	LL-40-K15	HPW-40-K15	I-40-K15	TM-40-KR
4 1/2"	TS-0259-44HP	TS-07466450	G-265 *	LLU-44-B15	LL-44-B15	HPW-44-B15	I-44-B15	TM-44-BR
5"	TS-0259-50HP	TS-07466500	G-265 *	LLU-50-B15	LL-50-B15	HPW-50-B15	I-50-B15	TM-50-BR
5 1/2"	TS-0259-54HP	TS-07466550	G-263 *	LLU-54-B15	LL-54-B15	HPW-54-B15	I-54-B15	TM-54-BR
5 3/4"	TS-0259-56HP	TS-07466575	-	LLU-56-B15	LL-56-B15	HPW-56-B15	I-56-B15	TM-56-BR
6"	TS-0259-60HP	TS-07466600	G-261 *	LLU-60-B15	LL-60-B15	HPW-60-B15	I-60-B15	TM-60-BR
6 1/4"	TS-0259-62HP	TS-07466625	G-283 *	LLU-62-L15	LL-62-L15	HPW-62-L15	I-62-L15	TM-62-LR
6 1/2"	TS-0259-64HP	TS-07466650	G-284 *	LLU-64-L15	LL-64-L15	HPW-64-L15	I-64-L15	TM-64-LR
6 3/4"	TS-0259-66HP	TS-07466675	G-287 *	LLU-66-L15	LL-66-L15	HPW-66-L15	I-66-L15	TM-66-LR
7"	TS-0259-70HP	TS-07466700	G-285 *	LLU-70-L15	LL-70-L15	HPW-70-L15	I-70-L15	TM-70-LR
VALVES, SEATS, SPRINGS						GASKETS		
	4 WEB DESIGN	3 WEB DESIGN	FULL OPEN (1)	FULL OPEN (2)		PART NUMBER		
VALVE	TS-7-EEF	-	TS-0985M	TS-7-V1	VALVE COVER GASKET	G-787 *		
SEAT	TS-7-DDB12	-	TS-1440M	TS-7-S12	CYLINDER HEAD GASKET	-		
SPRING	TS-5710-115	-	TS-0702M	TS-5710-115L	WEAR PLATE GASKET	TS-1292257		
INSERT (Urethane)	TS-7-WI	-	TS-7-MI	TS-7-FI	EXTENSION ROD SEAL	TS-1292182		
INSERT (Rubber)	TS-7-WR	-	-	-	EXTENSION ROD BAFFLE	TS-1292194		
PISTON ROD & EXTENSION ROD								
ROD CLAMP	PISTON ROD STUD	PISTON NUT	THREADED TYPE PISTON ROD	CLAMP TYPE PISTON ROD	SUB ROD	THREADED TYPE EXTENSION ROD	CLAMP TYPE EXTENSION ROD	
TM12P-03-08	N/A	TM-NUT	N/A	TM-258-A	TM-258-B	N/A	TM12P-01-06	
FLUID END MODULE								
SUCTION MODULE STUDDER		DISCHARGE MODULE STUDDER		MODULE SEAL SET		STUDS & NUTS SET		
TS-1292243		TS-1292240		TM12P-SEALKIT		TM12P-STUDSETD TM12P-STUDSETS		

TSC does not warrant or represent that any of such information is accurate, or that any products listed are compatible with each other. Any deviations from the OEM products should be verified as to compatibility.

TSC Manufacturing and Supply LLC, 13788 West Road, Suite 100, Houston, Texas 77041, USA  
Tel: +1 832 456 3900 Fax: +1 832 456 3998 E-mail: sales@t-s-c.com

## FLUID END EXPENDABLES

**NATIONAL**
**12-P-160 FAST CHANGE**
**7-1/2 x 12**

	LINERS		ZIRCONIA LINERS	LINER GASKETS	PISTONS				PISTON RUBBERS
SIZE	PART NUMBER	PART NUMBER	PART NUMBER	URETHANE BONDED	RUBBER BONDED	N'DURALL BONDED	REPLACEABLE RUBBER	PART NUMBER	
4"	TS-0259-40HP	TS-07466400	G-265 *	LLU-40-K15	LL-40-K15	HPW-40-K15	I-40-K15	TM-40-KR	
4 1/2"	TS-0259-44HP	TS-07466450	G-265 *	LLU-44-B15	LL-44-B15	HPW-44-B15	I-44-B15	TM-44-BR	
5"	TS-0259-50HP	TS-07466500	G-265 *	LLU-50-B15	LL-50-B15	HPW-50-B15	I-50-B15	TM-50-BR	
5 1/2"	TS-0259-54HP	TS-07466550	G-263 *	LLU-54-B15	LL-54-B15	HPW-54-B15	I-54-B15	TM-54-BR	
5 3/4"	TS-0259-56HP	TS-07466575	-	LLU-56-B15	LL-56-B15	HPW-56-B15	I-56-B15	TM-56-BR	
6"	TS-0259-60HP	TS-07466600	G-261 *	LLU-60-B15	LL-60-B15	HPW-60-B15	I-60-B15	TM-60-BR	
6 1/4"	TS-0259-62HP	TS-07466625	G-283 *	LLU-62-L15	LL-62-L15	HPW-62-L15	I-62-L15	TM-62-LR	
6 1/2"	TS-0259-64HP	TS-07466650	G-284 *	LLU-64-L15	LL-64-L15	HPW-64-L15	I-64-L15	TM-64-LR	
6 3/4"	TS-0259-66HP	TS-07466675	G-287 *	LLU-66-L15	LL-66-L15	HPW-66-L15	I-66-L15	TM-66-LR	
7"	TS-0259-70HP	TS-07466700	G-285 *	LLU-70-L15	LL-70-L15	HPW-70-L15	I-70-L15	TM-70-LR	
VALVES, SEATS, SPRINGS						GASKETS			
	4 WEB DESIGN	3 WEB DESIGN	FULL OPEN (1)	FULL OPEN (2)		PART NUMBER			
VALVE	TS-7-EEF	-	TS-0985M	TS-7-V1	VALVE COVER GASKET	G-787 *			
SEAT	TS-7-DDB12	-	TS-1440M	TS-7-S12	CYLINDER HEAD GASKET	-			
SPRING	TS-5710-115	-	TS-0702M	TS-5710-115L	WEAR PLATE GASKET	TS-1292257			
INSERT (Urethane)	TS-7-WI	-	TS-7-MI	TS-7-FI	EXTENSION ROD SEAL	TS-1292182			
INSERT (Rubber)	TS-7-WR	-	-	-	EXTENSION ROD BAFFLE	TS-1292194			
PISTON ROD & EXTENSION ROD									
ROD CLAMP	PISTON ROD STUD	PISTON NUT	THREADED TYPE PISTON ROD	CLAMP TYPE PISTON ROD	SUB ROD	THREADED TYPE EXTENSION ROD	CLAMP TYPE EXTENSION ROD		
TM12P-03-08	N/A	TM-NUT	N/A	TM-258-A	TM-258-B	N/A	TM12P-01-06		
FLUID END MODULE									
SUCTION MODULE STUDDED		DISCHARGE MODULE STUDDED		MODULE SEAL SET		STUDS & NUTS SET			
TS-1292362		TS-1292361		TM12P-SEALKIT		TM12PQ-STUDSETD TM12PQ-STUDSETS			

TSC does not warrant or represent that any of such information is accurate, or that any products listed are compatible with each other.  
Any deviations from the OEM products should be verified as to compatibility.

TSC Manufacturing and Supply LLC, 13788 West Road, Suite 100, Houston, Texas 77041, USA  
Tel: +1 832 456 3900 Fax: +1 832 456 3998 E-mail: sales@t-s-c.com



## FLUID END EXPENDABLES

**NATIONAL**

**12-P-160 (7500 PSI)**

**7-1/2 x 12**

LINERS		ZIRCONIA LINERS	LINER GASKETS	PISTONS				PISTON RUBBERS
SIZE	PART NUMBER	PART NUMBER	PART NUMBER	URETHANE BONDED	RUBBER BONDED	N'DURALL BONDED	REPLACEABLE RUBBER	PART NUMBER
4"	TS-0259-40HP	TS-07466400	G-265 *	LLU-40-K15	LL-40-K15	HPW-40-K15	I-40-K15	TM-40-KR
4 1/2"	TS-0259-44HP	TS-07466450	G-265 *	LLU-44-B15	LL-44-B15	HPW-44-B15	I-44-B15	TM-44-BR
5"	TS-0259-50HP	TS-07466500	G-265 *	LLU-50-B15	LL-50-B15	HPW-50-B15	I-50-B15	TM-50-BR
5 1/2"	TS-0259-54HP	TS-07466550	G-263 *	LLU-54-B15	LL-54-B15	HPW-54-B15	I-54-B15	TM-54-BR
5 3/4"	TS-0259-56HP	TS-07466575	-	LLU-56-B15	LL-56-B15	HPW-56-B15	I-56-B15	TM-56-BR
6"	TS-0259-60HP	TS-07466600	G-261 *	LLU-60-B15	LL-60-B15	HPW-60-B15	I-60-B15	TM-60-BR
6 1/4"	TS-0259-62HP	TS-07466625	G-283 *	LLU-62-L15	LL-62-L15	HPW-62-L15	I-62-L15	TM-62-LR
6 1/2"	TS-0259-64HP	TS-07466650	G-284 *	LLU-64-L15	LL-64-L15	HPW-64-L15	I-64-L15	TM-64-LR
6 3/4"	TS-0259-66HP	TS-07466675	G-287 *	LLU-66-L15	LL-66-L15	HPW-66-L15	I-66-L15	TM-66-LR
7"	TS-0259-70HP	TS-07466700	G-285 *	LLU-70-L15	LL-70-L15	HPW-70-L15	I-70-L15	TM-70-LR
VALVES, SEATS, SPRINGS						GASKETS		
	4 WEB DESIGN	3 WEB DESIGN	FULL OPEN (1)	FULL OPEN (2)		PART NUMBER		
VALVE	TS-7-EEF	-	TS-0985M	TS-7-V1	VALVE COVER GASKET	TS-SWP129		
SEAT	TS-7-DDB12	-	TS-1440M	TS-7-S12	CYLINDER HEAD GASKET	-		
SPRING	TS-5710-115	-	TS-0702M-	TS-5710-115L	WEAR PLATE GASKET	TS-1290344		
INSERT (Urethane)	TS-7-WI	-	TS-7-MI	TS-7-FI	EXTENSION ROD SEAL	TS-1292182		
INSERT (Rubber)	TS-7-WR	-	-	-	EXTENSION ROD BAFFLE	TS-1292194		
PISTON ROD & EXTENSION ROD								
ROD CLAMP	PISTON ROD STUD	PISTON NUT	THREADED TYPE PISTON ROD	CLAMP TYPE PISTON ROD	SUB ROD	THREADED TYPE EXTENSION ROD	CLAMP TYPE EXTENSION ROD	
TM12P-03-08	N/A	TM-NUT	N/A	TM-258-A	TM-258-B	N/A	TM12P-01-06	
FLUID END MODULE								
SUCTION MODULE	DISCHARGE MODULE	MODULE SEAL SET		STUDS & NUTS SET				
TS-80704001	TS-80704000	TM12PHPM-SEALKIT		TM12PHPM-STUDSETD TM12PHPM-STUDSETS				

TSC does not warrant or represent that any of such information is accurate, or that any products listed are compatible with each other.  
Any deviations from the OEM products should be verified as to compatibility.

TSC Manufacturing and Supply LLC, 13788 West Road, Suite 100, Houston, Texas 77041, USA  
Tel: +1 832 456 3900 Fax: +1 832 456 3998 E-mail: sales@t-s-c.com

**FLUID END EXPENDABLES**

**NATIONAL**

**14-P-220**

**9 x 14**

	LINERS		ZIRCONIA LINERS	LINER GASKETS	PISTONS				PISTON RUBBERS
SIZE	PART NUMBER	PART NUMBER	PART NUMBER	URETHANE BONDED	RUBBER BONDED	N'DURALL BONDED	REPLACEABLE RUBBER	PART NUMBER	
5"	TS-0260-50HP	TS-07545500	G-265 *	LLU-50-B15	LL-50-B15	HPW-50-B15	I-50-B15	TM-50-BR	
5 1/2"	TS-0260-54HP	TS-07545550	G-263 *	LLU-54-B15	LL-54-B15	HPW-54-B15	I-54-B15	TM-54-BR	
5 3/4"	TS-0260-56HP		-	LLU-56-B15	LL-56-B15	HPW-56-B15	I-56-B15	TM-56-BR	
6 "	TS-0260-60HP	TS-07545600	G-261 *	LLU-60-B15	LL-60-B15	HPW-60-B15	I-60-B15	TM-60-BR	
6 1/4"	TS-0260-62HP	TS-07545625	G-283 *	LLU-62-L15	LL-62-L15	HPW-62-L15	I-62-L15	TM-62-LR	
6 1/2"	TS-0260-64HP	TS-07545650	G-284 *	LLU-64-L15	LL-64-L15	HPW-64-L15	I-64-L15	TM-64-LR	
6 3/4"	TS-0260-66HP	TS-07545675	G-287 *	LLU-66-L15	LL-66-L15	HPW-66-L15	I-66-L15	TM-66-LR	
7"	TS-0260-70HP	TS-07545700	G-285 *	LLU-70-L15	LL-70-L15	HPW-70-L15	I-70-L15	TM-70-LR	
7 1/4"	TS-0260-72HP	TS-07545725		LLU-72-L15	LL-72-L15	HPW-72-L15	I-72-L15	TM-72-LR	
7 1/2"	TS-0260-74HP	TS-07545750		LLU-74-L15	LL-74-L15	HPW-74-L15	I-74-L15	TM-74-LR	
VALVES, SEATS, SPRINGS						GASKETS			
	4 WEB DESIGN	3 WEB DESIGN	FULL OPEN (1)	FULL OPEN (2)		PART NUMBER			
VALVE	TS-U5B-23	-	TS-0965M	TS-8-V2	VALVE COVER GASKET	TS-1540163			
SEAT	TS-8-DDB7	-	TS-1410M	TS-8-S7	CYLINDER HEAD GASKET	-			
SPRING	-	-	-	TS-1560702	WEAR PLATE GASKET	TS-1295257			
INSERT (Urethane)	TS-8-WI	-	TS-8-MI	TS-8-FI	EXTENSION ROD SEAL	-			
INSERT (Rubber)	TS-8-WR	-	-	-	EXTENSION ROD BAFFLE	TS-1292194			
PISTON ROD & EXTENSION ROD									
ROD CLAMP	PISTON ROD STUD	PISTON NUT	THREADED TYPE PISTON ROD	CLAMP TYPE PISTON ROD	SUB ROD	THREADED TYPE EXTENSION ROD	CLAMP TYPE EXTENSION ROD		
TS-1295085	N/A	TM-NUT	N/A	TM-1295147	TS-1295146	N/A	TS-1295083		
FLUID END MODULE									
SUCTION MODULE STUDD		DISCHARGE MODULE STUDD		MODULE SEAL SET		STUDS & NUTS SET			
TS-1295243		TS-1295240		TM14P-SEALKIT		TM14P-STUDSETD TM14P-STUDSETS			

TSC does not warrant or represent that any of such information is accurate, or that any products listed are compatible with each other. Any deviations from the OEM products should be verified as to compatibility.

TSC Manufacturing and Supply LLC, 13788 West Road, Suite 100, Houston, Texas 77041, USA  
 Tel: +1 832 456 3900 Fax: +1 832 456 3998 E-mail: sales@t-s-c.com

**FLUID END EXPENDABLES**

**OILWELL**

**A-350-PT**

**7 x 8**

LINERS		LINER GASKETS	PISTONS				PISTON RUBBERS
SIZE	PART NUMBER	PART NUMBER	URETHANE BONDED	RUBBER BONDED	N'DURALL BONDED	REPLACEABLE RUBBER	PART NUMBER
4"	TS-0287-40HP	G-753 *	LLU-40-K15	LL-40-K15	HPW-40-K15	I-40-K15	TM-40-KR
4 1/2"	TS-0287-44HP	G-754 *	LLU-44-B15	LL-44-B15	HPW-44-B15	I-44-B15	TM-44-BR
5"	TS-0287-50HP	G-742 *	LLU-50-B15	LL-50-B15	HPW-50-B15	I-50-B15	TM-50-BR
5 1/2"	TS-0287-54HP	G-743 *	LLU-54-B15	LL-54-B15	HPW-54-B15	I-54-B15	TM-54-BR
5 3/4"	TS-0287-56HP	G-744 *	LLU-56-B15	LL-56-B15	HPW-56-B15	I-56-B15	TM-56-BR
6"	TS-0287-60HP	G-745 *	LLU-60-B15	LL-60-B15	HPW-60-B15	I-60-B15	TM-60-BR
6 1/4"	TS-0287-62HP	G-770 *	LLU-62-L15	LL-62-L15	HPW-62-L15	I-62-L15	TM-62-LR
6 1/2"	TS-0287-64HP	G-746 *	LLU-64-L15	LL-64-L15	HPW-64-L15	I-64-L15	TM-64-LR
7"	TS-0287-70HP	G-756 *	LLU-70-L15	LL-70-L15	HPW-70-L15	I-70-L15	TM-70-LR
VALVES, SEATS, SPRINGS					GASKETS		
	4 WEB DESIGN	3 WEB DESIGN	FULL OPEN (1)	FULL OPEN (2)		PART NUMBER	
VALVE	TS-6-EH	-	TS-0995M	TS-6-V1	VALVE COVER GASKET	G-732 *	
SEAT	TS-6-ADDB6	-	TS-1380M	TS-6-S6	CYLINDER HEAD GASKET	-	
SPRING	TS-5710-115	-	TS-0701M	TS-5710-115	WEAR PLATE GASKET	G-754 *	
INSERT (Urethane)	TS-6-WI	-	TS-6-MI	TS-6-FI	EXTENSION ROD SEAL	-	
INSERT (Rubber)	TS-6-WR	-	-	TS-6-FR	EXTENSION ROD BAFFLE	-	
PISTON ROD & EXTENSION ROD							
ROD CLAMP	PISTON ROD STUD	PISTON NUT	THREADED TYPE PISTON ROD	CLAMP TYPE PISTON ROD	SUB ROD	THREADED TYPE EXTENSION ROD	CLAMP TYPE EXTENSION ROD
TMA17-03-08	TM-283-D	TM-NUT	-	TM-283-C	TM-283-A	-	TMA35-01-06
FLUID END MODULE							
FLUID END MODULE STUDDED				MODULE SEAL SET		STUDS & NUTS SET	
-				-		-	

TSC does not warrant or represent that any of such information is accurate, or that any products listed are compatible with each other. Any deviations from the OEM products should be verified as to compatibility.

TSC Manufacturing and Supply LLC, 13788 West Road, Suite 100, Houston, Texas 77041, USA  
 Tel: +1 832 456 3900 Fax: +1 832 456 3998 E-mail: sales@t-s-c.com

## FLUID END EXPENDABLES

OILWELL

A-560-PT

7 x 8

	LINERS		LINER GASKETS	PISTONS			PISTON RUBBERS
SIZE	PART NUMBER	PART NUMBER	URETHANE BONDED	RUBBER BONDED	N'DURALL BONDED	REPLACEABLE RUBBER	PART NUMBER
4"	TS-0287-40HP	G-753 *	LLU-40-K15	LL-40-K15	HPW-40-K15	I-40-K15	TM-40-KR
4 1/2"	TS-0287-44HP	G-754 *	LLU-44-B15	LL-44-B15	HPW-44-B15	I-44-B15	TM-44-BR
5"	TS-0287-50HP	G-742 *	LLU-50-B15	LL-50-B15	HPW-50-B15	I-50-B15	TM-50-BR
5 1/2"	TS-0287-54HP	G-743 *	LLU-54-B15	LL-54-B15	HPW-54-B15	I-54-B15	TM-54-BR
5 3/4"	TS-0287-56HP	G-744 *	LLU-56-B15	LL-56-B15	HPW-56-B15	I-56-B15	TM-56-BR
6"	TS-0287-60HP	G-745 *	LLU-60-B15	LL-60-B15	HPW-60-B15	I-60-B15	TM-60-BR
6 1/4"	TS-0287-62HP	G-770 *	LLU-62-L15	LL-62-L15	HPW-62-L15	I-62-L15	TM-62-LR
6 1/2"	TS-0287-64HP	G-746 *	LLU-64-L15	LL-64-L15	HPW-64-L15	I-64-L15	TM-64-LR
7"	TS-0287-70HP	G-756 *	LLU-70-L15	LL-70-L15	HPW-70-L15	I-70-L15	TM-70-LR
VALVES, SEATS, SPRINGS					GASKETS		
	4 WEB DESIGN	3 WEB DESIGN	FULL OPEN (1)	FULL OPEN (2)		PART NUMBER	
VALVE	TS-6-EH	-	TS-0995M	TS-6-V1	VALVE COVER GASKET	G-732 *	
SEAT	TS-6-ADDB6	-	TS-1380M	TS-6-S6	CYLINDER HEAD GASKET	-	
SPRING	TS-5710-115	-	TS-0701M	TS-5710-115	WEAR PLATE GASKET	G-754 *	
INSERT (Urethane)	TS-6-WI	-	TS-6-MI	TS-6-FI	EXTENSION ROD SEAL	-	
INSERT (Rubber)	TS-6-WR	-	-	TS-6-FR	EXTENSION ROD BAFFLE	-	
PISTON ROD & EXTENSION ROD							
ROD CLAMP	PISTON ROD STUD	PISTON NUT	THREADED TYPE PISTON ROD	CLAMP TYPE PISTON ROD	SUB ROD	THREADED TYPE EXTENSION ROD	CLAMP TYPE EXTENSION ROD
TMA54-03-08	TM-283-D	TM-NUT	-	TM-283-C	TM-283-A	-	TMA56-01-06
FLUID END MODULE							
FLUID END MODULE STUDDED				MODULE SEAL SET		STUDS & NUTS SET	
-				-		-	

TSC does not warrant or represent that any of such information is accurate, or that any products listed are compatible with each other.  
Any deviations from the OEM products should be verified as to compatibility.

TSC Manufacturing and Supply LLC, 13788 West Road, Suite 100, Houston, Texas 77041, USA  
Tel: +1 832 456 3900 Fax: +1 832 456 3998 E-mail: sales@t-s-c.com

**FLUID END EXPENDABLES**

**OILWELL**

**A-600-PT**

**7 x 8**

LINERS		LINER GASKETS		PISTONS			PISTON RUBBER
SIZE	PART NUMBER	PART NUMBER	URETHANE BONDED	RUBBER BONDED	N'DURALL BONDED	REPLACEABLE RUBBER	PART NUMBER
4"	TS-0287-40HP	G-753 *	LLU-40-K15	LL-40-K15	HPW-40-K15	I-40-K15	TM-40-KR
4 1/2"	TS-0287-44HP	G-754 *	LLU-44-B15	LL-44-B15	HPW-44-B15	I-44-B15	TM-44-BR
5"	TS-0287-50HP	G-742 *	LLU-50-B15	LL-50-B15	HPW-50-B15	I-50-B15	TM-50-BR
5 1/2"	TS-0287-54HP	G-743 *	LLU-54-B15	LL-54-B15	HPW-54-B15	I-54-B15	TM-54-BR
5 3/4"	TS-0287-56HP	G-744 *	LLU-56-B15	LL-56-B15	HPW-56-B15	I-56-B15	TM-56-BR
6"	TS-0287-60HP	G-745 *	LLU-60-B15	LL-60-B15	HPW-60-B15	I-60-B15	TM-60-BR
6 1/4"	TS-0287-62HP	G-770 *	LLU-62-L15	LL-62-L15	HPW-62-L15	I-62-L15	TM-62-LR
6 1/2"	TS-0287-64HP	G-746 *	LLU-64-L15	LL-64-L15	HPW-64-L15	I-64-L15	TM-64-LR
7"	TS-0287-70HP	G-756 *	LLU-70-L15	LL-70-L15	HPW-70-L15	I-70-L15	TM-70-LR
VALVES, SEATS, SPRINGS					GASKETS		
	4 WEB DESIGN	3 WEB DESIGN	FULL OPEN (1)	FULL OPEN (2)		PART NUMBER	
VALVE	TS-6-EH	-	TS-0995M	TS-6-V1	VALVE COVER GASKET	G-732 *	
SEAT	TS-6-ADDB6	-	TS-1380M	TS-6-S6	CYLINDER HEAD GASKET	-	
SPRING	TS-5710-115	-	TS-0701M	TS-5710-115	WEAR PLATE GASKET	G-754 *	
INSERT (Urethane)	TS-6-WI	-	TS-6-MI	TS-6-FI	EXTENSION ROD SEAL	-	
INSERT (Rubber)	TS-6-WR	-	-	TS-6-FR	EXTENSION ROD BAFFLE	-	
PISTON ROD & EXTENSION ROD							
ROD CLAMP	PISTON ROD STUD	PISTON NUT	THREADED TYPE PISTON ROD	CLAMP TYPE PISTON ROD	SUB ROD	THREADED TYPE EXTENSION ROD	CLAMP TYPE EXTENSION ROD
TMA17-03-08	TM-283-D	TM-NUT	-	TM-283-C	TM-283-A	-	TMA35-01-06
FLUID END MODULE							
FLUID END MODULE STUDDED				MODULE SEAL SET		STUDS & NUTS SET	
-				-		-	

TSC does not warrant or represent that any of such information is accurate, or that any products listed are compatible with each other. Any deviations from the OEM products should be verified as to compatibility.

TSC Manufacturing and Supply LLC, 13788 West Road, Suite 100, Houston, Texas 77041, USA  
 Tel: +1 832 456 3900 Fax: +1 832 456 3998 E-mail: sales@t-s-c.com

## FLUID END EXPENDABLES

OILWELL

A-850-PT

7-1/2 x 9

SIZE	LINERS	LINER GASKETS	PISTONS				PISTON RUBBERS
	PART NUMBER	PART NUMBER	URETHANE BONDED	RUBBER BONDED	N'DURALL BONDED	REPLACEABLE RUBBER	PART NUMBER
4"	TS-0285-40HP	G-753 *	LLU-40-K15	LL-40-K15	HPW-40-K15	I-40-K15	TM-40-KR
4 1/2"	TS-0285-44HP	G-754 *	LLU-44-B15	LL-44-B15	HPW-44-B15	I-44-B15	TM-44-BR
5"	TS-0285-50HP	G-742 *	LLU-50-B15	LL-50-B15	HPW-50-B15	I-50-B15	TM-50-BR
5 1/2"	TS-0285-54HP	G-743 *	LLU-54-B15	LL-54-B15	HPW-54-B15	I-54-B15	TM-54-BR
5 3/4"	TS-0289-56HP	G-744 *	LLU-56-B15	LL-56-B15	HPW-56-B15	I-56-B15	TM-56-BR
6"	TS-0289-60HP	G-745 *	LLU-60-B15	LL-60-B15	HPW-60-B15	I-60-B15	TM-60-BR
6 1/4"	TS-0289-62HP	G-770 *	LLU-62-L15	LL-62-L15	HPW-62-L15	I-62-L15	TM-62-LR
6 1/2"	TS-0289-64HP	G-746 *	LLU-64-L15	LL-64-L15	HPW-64-L15	I-64-L15	TM-64-LR
6 3/4"	TS-0289-66HP	G-755 *	LLU-66-L15	LL-66-L15	HPW-66-L15	I-66-L15	TM-66-LR
7"	TS-0289-70HP	G-756 *	LLU-70-L15	LL-70-L15	HPW-70-L15	I-70-L15	TM-70-LR
7 1/4"	TS-0289-72Cr	G-757 *	LLU-72-L15	LL-72-L15	HPW-72-L15	I-72-L15	TM-72-LR
7 1/2"	TS-0289-74Cr	G-758 *	LLU-74-L15	LL-74-L15	HPW-74-L15	I-74-L15	TM-74-LR
VALVES, SEATS, SPRINGS					GASKETS		
	4 WEB DESIGN	3 WEB DESIGN	FULL OPEN (1)	FULL OPEN (2)		PART NUMBER	
VALVE	TS-7-EEF	TS-202482	TS-0985M	TS-7-V1	VALVE COVER GASKET	G-760 *	
SEAT	TS-7-DDB1	TS-202039	TS-1370M	TS-7-S1	CYLINDER HEAD GASKET	-	
SPRING	TS-5710-115	-	TS-0702M	TS-5710-115L	WEAR PLATE GASKET	G-742 *	
INSERT (Urethane)	TS-7-WI	TS-201106	TS-7-MI	TS-7-FI	EXTENSION ROD SEAL	TS-200-100-015	
INSERT (Rubber)	TS-7-WR	TS-201107	-	-	EXTENSION ROD BAFFLE	TS-204-0668	
PISTON ROD & EXTENSION ROD							
ROD CLAMP	PISTON ROD STUD	PISTON NUT	THREADED TYPE PISTON ROD	CLAMP TYPE PISTON ROD	SUB ROD	THREADED TYPE EXTENSION ROD	CLAMP TYPE EXTENSION ROD
TMA17-03-08	TM-283-D	TM-NUT	N/A	TM-283-C	TM-283-A	N/A	TMA17-01-06
FLUID END MODULE							
FLUID END MODULE STUDED				MODULE SEAL SET		STUDS & NUTS SET	
TS-10300181				TMA14-SEALKIT		TMA17-STUDSET	

TSC does not warrant or represent that any of such information is accurate, or that any products listed are compatible with each other.  
Any deviations from the OEM products should be verified as to compatibility.

TSC Manufacturing and Supply LLC, 13788 West Road, Suite 100, Houston, Texas 77041, USA  
Tel: +1 832 456 3900 Fax: +1 832 456 3998 E-mail: sales@t-s-c.com

**FLUID END EXPENDABLES**

**OILWELL**

**A-1100-PT**

**7-1/2 x 10**

LINERS		LINER GASKETS	PISTONS				PISTON RUBBERS
SIZE	PART NUMBER	PART NUMBER	URETHANE BONDED	RUBBER BONDED	N'DURALL BONDED	REPLACEABLE RUBBER	PART NUMBER
4"	TS-0289-40HP	G-753 *	LLU-40-K15	LL-40-K15	HPW-40-K15	I-40-K15	TM-40-KR
4 1/2"	TS-0289-44HP	G-754 *	LLU-44-B15	LL-44-B15	HPW-44-B15	I-44-B15	TM-44-BR
5"	TS-0289-50HP	G-742 *	LLU-50-B15	LL-50-B15	HPW-50-B15	I-50-B15	TM-50-BR
5 1/2"	TS-0289-54HP	G-743 *	LLU-54-B15	LL-54-B15	HPW-54-B15	I-54-B15	TM-54-BR
5 3/4"	TS-0289-56HP	G-744 *	LLU-56-B15	LL-56-B15	HPW-56-B15	I-56-B15	TM-56-BR
6"	TS-0289-60HP	G-745 *	LLU-60-B15	LL-60-B15	HPW-60-B15	I-60-B15	TM-60-BR
6 1/4"	TS-0289-62HP	G-770 *	LLU-62-L15	LL-62-L15	HPW-62-L15	I-62-L15	TM-62-LR
6 1/2"	TS-0289-64HP	G-746 *	LLU-64-L15	LL-64-L15	HPW-64-L15	I-64-L15	TM-64-LR
6 3/4"	TS-0289-66HP	G-755 *	LLU-66-L15	LL-66-L15	HPW-66-L15	I-66-L15	TM-66-LR
7"	TS-0289-70HP	G-756 *	LLU-70-L15	LL-70-L15	HPW-70-L15	I-70-L15	TM-70-LR
7 1/4"	TS-0289-72Cr	G-757 *	LLU-72-L15	LL-72-L15	HPW-72-L15	I-72-L15	TM-72-LR
7 1/2"	TS-0289-74Cr	G-758 *	LLU-74-L15	LL-74-L15	HPW-74-L15	I-74-L15	TM-74-LR
VALVES, SEATS, SPRINGS					GASKETS		
	4 WEB DESIGN	3 WEB DESIGN	FULL OPEN (1)	FULL OPEN (2)		PART NUMBER	
VALVE	TS-7-EEF	TS-202482	TS-0985M	TS-7-V1	VALVE COVER GASKET	G-760 *	
SEAT	TS-7-DDB1	TS-202039	TS-1370M	TS-7-S1	CYLINDER HEAD GASKET	-	
SPRING	TS-5710-115	-	TS-0702M	TS-5710-115L	WEAR PLATE GASKET	G-742 *	
INSERT (Urethane)	TS-7-WI	TS-201106	TS-7-MI	TS-7-FI	EXTENSION ROD SEAL	TS-20-100-015	
INSERT (Rubber)	TS-7-WR	TS-201107	-	-	EXTENSION ROD BAFFLE	TS-204-0668	
PISTON ROD & EXTENSION ROD							
ROD CLAMP	PISTON ROD STUD	PISTON NUT	THREADED TYPE PISTON ROD	CLAMP TYPE PISTON ROD	SUB ROD	THREADED TYPE EXTENSION ROD	CLAMP TYPE EXTENSION ROD
TMA17-03-08	TM-283-D	TM-NUT	N/A	TM-283-C	TM-283-A	N/A	TMA17-01-06
FLUID END MODULE							
FLUID END MODULE STUDDED			MODULE SEAL SET		STUDS & NUTS SET		
TS-10300181			TMA14-SEALKIT		TMA17-STUDSET		

TSC does not warrant or represent that any of such information is accurate, or that any products listed are compatible with each other. Any deviations from the OEM products should be verified as to compatibility.

TSC Manufacturing and Supply LLC, 13788 West Road, Suite 100, Houston, Texas 77041, USA  
 Tel: +1 832 456 3900 Fax: +1 832 456 3998 E-mail: sales@t-s-c.com

## FLUID END EXPENDABLES

OILWELL

A-1400-PT

7-1/2 x 10

	LINERS		ZIRCONIA LINERS	LINER GASKETS	PISTONS				PISTON RUBBERS
SIZE	PART NUMBER	PART NUMBER	PART NUMBER	URETHANE BONDED	RUBBER BONDED	N'DURALL BONDED	REPLACEABLE RUBBER	PART NUMBER	
4 1/2"	TS-0284-44HP	TS-07326450	G-754 *	LLU-44-B15	LL-44-B15	HPW-44-B15	I-44-B15	TM-44-BR	
5"	TS-0284-50HP	TS-07326500	G-742 *	LLU-50-B15	LL-50-B15	HPW-50-B15	I-50-B15	TM-50-BR	
5 1/2"	TS-0284-54HP	TS-07326550	G-743 *	LLU-54-B15	LL-54-B15	HPW-54-B15	I-54-B15	TM-54-BR	
5 3/4"	TS-0284-56HP	TS-07326575	G-744 *	LLU-56-B15	LL-56-B15	HPW-56-B15	I-56-B15	TM-56-BR	
6"	TS-0284-60HP	TS-07326600	G-745 *	LLU-60-B15	LL-60-B15	HPW-60-B15	I-60-B15	TM-60-BR	
6 1/4"	TS-0284-62HP	TS-07326625	G-770 *	LLU-62-L15	LL-62-L15	HPW-62-L15	I-62-L15	TM-62-LR	
6 1/2"	TS-0284-64HP	TS-07326650	G-746 *	LLU-64-L15	LL-64-L15	HPW-64-L15	I-64-L15	TM-64-LR	
6 3/4"	TS-0284-66HP	TS-07326675	G-755 *	LLU-66-L15	LL-66-L15	HPW-66-L15	I-66-L15	TM-66-LR	
7"	TS-0284-70HP	TS-07326700	G-756 *	LLU-70-L15	LL-70-L15	HPW-70-L15	I-70-L15	TM-70-LR	
7 1/4"	TS-0284-72Cr	TS-07326725	G-757 *	LLU-72-L15	LL-72-L15	HPW-72-L15	I-72-L15	TM-72-LR	
7 1/2"	TS-0284-74Cr	TS-07326750	G-758 *	LLU-74-L15	LL-74-L15	HPW-74-L15	I-74-L15	TM-74-LR	
VALVES, SEATS, SPRINGS						GASKETS			
	4 WEB DESIGN	3 WEB DESIGN	FULL OPEN (1)	FULL OPEN (2)		PART NUMBER			
VALVE	TS-7-EEF	TS-202482	TS-0985M	TS-7-V1	VALVE COVER GASKET	G-760 *			
SEAT	TS-7-DDB1	TS-202039	TS-1370M	TS-7-S1	CYLINDER HEAD GASKET	-			
SPRING	TS-5710-115	-	TS-0702M	TS-5710-115L	WEAR PLATE GASKET	G-742 *			
INSERT (Urethane)	TS-7-WI	TS-201106	TS-7-MI	TS-7-FI	EXTENSION ROD SEAL	TS-20-100-015			
INSERT (Rubber)	TS-7-WR	TS-201107	-	-	EXTENSION ROD BAFFLE	TS-204-0668			
PISTON ROD & EXTENSION ROD									
ROD CLAMP	PISTON ROD STUD	PISTON NUT	THREADED TYPE PISTON ROD	CLAMP TYPE PISTON ROD	SUB ROD	THREADED TYPE EXTENSION ROD	CLAMP TYPE EXTENSION ROD		
TMA17-03-08	TM-283D	TM-NUT	N/A	TM-283-C	TM-283-A	N/A	TMA17-01-06		
FLUID END MODULE									
FLUID END MODULE STUDDED				MODULE SEAL SET		STUDS & NUTS SET			
TS-10300181				TMA17-SEALKIT		TMA17-STUDSET			

TSC does not warrant or represent that any of such information is accurate, or that any products listed are compatible with each other.  
Any deviations from the OEM products should be verified as to compatibility.

TSC Manufacturing and Supply LLC, 13788 West Road, Suite 100, Houston, Texas 77041, USA  
Tel: +1 832 456 3900 Fax: +1 832 456 3998 E-mail: sales@t-s-c.com



**FLUID END EXPENDABLES**

**OILWELL**

**A-1700-PT**

**7-1/2 x 12**

	LINERS		ZIRCONIA LINERS	LINER GASKETS	PISTONS				PISTON RUBBERS
SIZE	PART NUMBER	PART NUMBER	PART NUMBER	URETHANE BONDED	RUBBER BONDED	N'DURALL BONDED	REPLACEABLE RUBBER	PART NUMBER	
4 1/2"	TS-0284-44HP	TS-07326450	G-754 *	LLU-44-B15	LL-44-B15	HPW-44-B15	I-44-B15	TM-44-BR	
5"	TS-0284-50HP	TS-07326500	G-742 *	LLU-50-B15	LL-50-B15	HPW-50-B15	I-50-B15	TM-50-BR	
5 1/2"	TS-0284-54HP	TS-07326550	G-743 *	LLU-54-B15	LL-54-B15	HPW-54-B15	I-54-B15	TM-54-BR	
5 3/4"	TS-0284-56HP	TS-07326575	G-744 *	LLU-56-B15	LL-56-B15	HPW-56-B15	I-56-B15	TM-56-BR	
6"	TS-0284-60HP	TS-07326600	G-745 *	LLU-60-B15	LL-60-B15	HPW-60-B15	I-60-B15	TM-60-BR	
6 1/4"	TS-0284-62HP	TS-07326625	G-770 *	LLU-62-L15	LL-62-L15	HPW-62-L15	I-62-L15	TM-62-LR	
6 1/2"	TS-0284-64HP	TS-07326650	G-746 *	LLU-64-L15	LL-64-L15	HPW-64-L15	I-64-L15	TM-64-LR	
6 3/4"	TS-0284-66HP	TS-07326675	G-755 *	LLU-66-L15	LL-66-L15	HPW-66-L15	I-66-L15	TM-66-LR	
7"	TS-0284-70HP	TS-07326700	G-756 *	LLU-70-L15	LL-70-L15	HPW-70-L15	I-70-L15	TM-70-LR	
7 1/4"	TS-0284-72Cr	TS-07326725	G-757 *	LLU-72-L15	LL-72-L15	HPW-72-L15	I-72-L15	TM-72-LR	
7 1/2"	TS-0284-74Cr	TS-07326750	G-758 *	LLU-74-L15	LL-74-L15	HPW-74-L15	I-74-L15	TM-74-LR	
VALVES, SEATS, SPRINGS						GASKETS			
	4 WEB DESIGN	3 WEB DESIGN	FULL OPEN (1)	FULL OPEN (2)		PART NUMBER			
VALVE	TS-7-EEF	TS-202482	TS-0985M	TS-7-V1	VALVE COVER GASKET	G-760 *			
SEAT	TS-7-DDB1	TS-202039	TS-1370M	TS-7-S1	CYLINDER HEAD GASKET	-			
SPRING	TS-5710-115	-	TS-0702M	TS-5710-115L	WEAR PLATE GASKET	G-742 *			
INSERT (Urethane)	TS-7-WI	TS-201106	TS-7-MI	TS-7-FI	EXTENSION ROD SEAL	TS-20-100-015			
INSERT (Rubber)	TS-7-WR	TS-201107	-	-	EXTENSION ROD BAFFLE	TS-204-0668			
PISTON ROD & EXTENSION ROD									
ROD CLAMP	PISTON ROD STUD	PISTON NUT	THREADED TYPE PISTON ROD	CLAMP TYPE PISTON ROD	SUB ROD	THREADED TYPE EXTENSION ROD	CLAMP TYPE EXTENSION ROD		
TMA17-03-08	TM-283D	TM-NUT	N/A	TM-283-C	TM-283-A	N/A	TMA17-01-06		
FLUID END MODULE									
FLUID END MODULE STUDDED				MODULE SEAL SET		STUDS & NUTS SET			
TS-10300181				TMA17-SEALKIT		TMA17-STUDSET			

TSC does not warrant or represent that any of such information is accurate, or that any products listed are compatible with each other. Any deviations from the OEM products should be verified as to compatibility.

TSC Manufacturing and Supply LLC, 13788 West Road, Suite 100, Houston, Texas 77041, USA  
 Tel: +1 832 456 3900 Fax: +1 832 456 3998 E-mail: sales@t-s-c.com

**FLUID END EXPENDABLES**

OPI

700 -DHL

7 x 8

	LINERS		LINER GASKETS	PISTONS			PISTON RUBBERS
SIZE	PART NUMBER	PART NUMBER	URETHANE BONDED	RUBBER BONDED	N'DURALL BONDED	REPLACEABLE RUBBER	PART NUMBER
4"	TS-0481-40HP	G-753	LLU-40-K15	LL-40-K15	HPW-40-K15	I-40-K15	TM-40-KR
4 1/2"	TS-0481-44HP	G-754	LLU-44-B15	LL-44-B15	HPW-44-B15	I-44-B15	TM-44-BR
5"	TS-0481-50HP	G-742	LLU-50-B15	LL-50-B15	HPW-50-B15	I-50-B15	TM-50-BR
5 1/2"	TS-0481-54HP	G-743	LLU-54-B15	LL-54-B15	HPW-54-B15	I-54-B15	TM-54-BR
5 3/4"	TS-0481-56HP	G-744	LLU-56-B15	LL-56-B15	HPW-56-B15	I-56-B15	TM-56-BR
6"	TS-0481-60HP	G-745	LLU-60-B15	LL-60-B15	HPW-60-B15	I-60-B15	TM-60-BR
6 1/4"	TS-0481-62HP	-	LLU-62-L15	LL-62-L15	HPW-62-L15	I-62-L15	TM-62-LR
6 1/2"	TS-0481-64HP	G-746	LLU-64-L15	LL-64-L15	HPW-64-L15	I-64-L15	TM-64-LR
6 3/4"	TS-0481-66HP	G-755	LLU-66-L15	LL-66-L15	HPW-66-L15	I-66-L15	TM-66-LR
7"	TS-0481-70HP	G-756	LLU-70-L15	LL-70-L15	HPW-70-L15	I-70-L15	TM-70-LR
VALVES, SEATS, SPRINGS					GASKETS		
	4 WEB DESIGN	3 WEB DESIGN	FULL OPEN (1)	FULL OPEN (2)		PART NUMBER	
VALVE	TS-6-EH	-	TS-0995M	TS-6-V1	VALVE COVER GASKET	G-745 *	
SEAT	TS-6-ADDB6	-	TS-1380M	TS-6-S6	CYLINDER HEAD GASKET	-	
SPRING	TS-5710-115	-	TS-0701M	TS-5710-115	WEAR PLATE GASKET	-	
INSERT (Urethane)	TS-6-WI	-	TS-6-MI	TS-6-FI	EXTENSION ROD SEAL	-	
INSERT (Rubber)	TS-6-WR	-	-	TS-6-FR	EXTENSION ROD BAFFLE	-	
PISTON ROD & EXTENSION ROD							
ROD CLAMP	PISTON ROD STUD	PISTON NUT	THREADED TYPE PISTON ROD	CLAMP TYPE PISTON ROD	SUB ROD	THREADED TYPE EXTENSION ROD	CLAMP TYPE EXTENSION ROD
-	-	-	-	-	-	-	-
FLUID END MODULE							
FLUID END MODULE STUDED				MODULE SEAL SET		STUDS & NUTS SET	
-				-		-	

TSC does not warrant or represent that any of such information is accurate, or that any products listed are compatible with each other. Any deviations from the OEM products should be verified as to compatibility.

TSC Manufacturing and Supply LLC, 13788 West Road, Suite 100, Houston, Texas 77041, USA  
 Tel: +1 832 456 3900 Fax: +1 832 456 3998 E-mail: sales@t-s-c.com

**FLUID END EXPENDABLES**

**BOMCO**

**F-500**

**6-3/4 x 7-1/2**

	LINERS	LINER GASKETS	PISTONS				PISTON RUBBERS
SIZE	PART NUMBER	PART NUMBER	URETHANE BONDED	RUBBER BONDED	N'DURALL BONDED	REPLACEABLE RUBBER	PART NUMBER
4"	TS-0146-40HP	G-281 *	LLU-40-K10	LL-40-K10	HPW-40-K10	I-40-K10	TM-40-KR
4 1/2"	TS-0146-44HP	G-281 *	LLU-44-B10	LL-44-B10	HPW-44-B10	I-44-B10	TM-44-BR
5"	TS-0146-50HP	G-281 *	LLU-50-B10	LL-50-B10	HPW-50-B10	I-50-B10	TM-50-BR
5 1/2"	TS-0146-54HP	G-281 *	LLU-54-B10	LL-54-B10	HPW-54-B10	I-54-B10	TM-54-BR
5 3/4"	TS-0146-56HP	G-281 *	LLU-56-B10	LL-56-B10	HPW-56-B10	I-56-B10	TM-56-BR
6"	TS-0146-60HP	G-281 *	LLU-60-B10	LL-60-B10	HPW-60-B10	I-60-B10	TM-60-BR
6 1/4"	TS-0146-62HP	G-281 *	LLU-62-L10	LL-62-L10	HPW-62-L10	I-62-L10	TM-62-LR
6 1/2"	TS-0146-64HP	G-281 *	LLU-64-L10	LL-64-L10	HPW-64-L10	I-64-L10	TM-64-LR
6 3/4"	TS-0146-66Cr	G-281 *	LLU-66-L10	LL-66-L10	HPW-66-L10	I-66-L10	TM-66-LR
VALVES, SEATS, SPRINGS					GASKETS		
	4 WEB DESIGN	FULL OPEN	BOMCO PART NUMBER			PART NUMBER	BOMCO PART NUMBER
VALVE	TS-5-M5B5	TS-5-V1	AH0000020500		VALVE COVER GASKET	G-733	AH0501010508
SEAT	TS-5-DDB1	TS-5-S1	AH0000020500		CYLINDER HEAD GASKET	G-281	AH0501010504
SPRING	TS-5710-111	TS-5710-111	AH00000101		EXTENSION ROD BAFFLE	-	AH0501010406
INSERT (Urethane)	TS-5-WI	TS-5-FI	-				
INSERT (Rubber)	-		-				
PISTON ROD & EXTENSION ROD							
	ROD CLAMP	PISTON NUT	CLAMP TYPE PISTON ROD	SUB ROD	THREADED TYPE EXTENSION ROD	CLAMP TYPE EXTENSION ROD	
TSC PART NUMBER	TMF05-03-08	TM-NUT1	TM-146	N/A	N/A		TMF05-01-06
BOMCO PART NUMBER	AH050101051500	T507-302.00	AH0501010512				AH0501010410
FLUID END MODULE							
FLUID END MODULE STUDDED			MODULE SEAL SET		STUDS & NUTS SET		
TS-6318-0151-00			TMF05-SEALKIT		TMF05-STUDSSET		

TSC does not warrant or represent that any of such information is accurate, or that any products listed are compatible with each other. Any deviations from the OEM products should be verified as to compatibility.

TSC Manufacturing and Supply LLC, 13788 West Road, Suite 100, Houston, Texas 77041, USA  
 Tel: +1 832 456 3900 Fax: +1 832 456 3998 E-mail: sales@t-s-c.com

**FLUID END EXPENDABLES**

**BOMCO**

**F-800**

**7 x 9**

	LINERS	ZIRCONIA LINERS	LINER GASKETS	PISTONS				PISTON RUBBERS
SIZE	PART NUMBER	PART NUMBER	PART NUMBER	URETHANE BONDED	RUBBER BONDED	N'DURALL BONDED	REPLACEABLE RUBBER	PART NUMBER
4"	TS-0148-40HP	TS-07495400	G-282 *	LLU-40-K15	LL-40-K15	HPW-40-K15	I-40-K15	TM-40-KR
4 1/2"	TS-0148-44HP	TS-07495450	G-282 *	LLU-44-B15	LL-44-B15	HPW-44-B15	I-44-B15	TM-44-BR
5"	TS-0148-50HP	TS-07495500	G-282 *	LLU-50-B15	LL-50-B15	HPW-50-B15	I-50-B15	TM-50-BR
5 1/2"	TS-0148-54HP	TS-07495550	G-282 *	LLU-54-B15	LL-54-B15	HPW-54-B15	I-54-B15	TM-54-BR
5 3/4"	TS-0148-56HP	TS-07499575	G-282 *	LLU-56-B15	LL-56-B15	HPW-56-B15	I-56-B15	TM-56-BR
6"	TS-0148-60HP	TS-07495600	G-282 *	LLU-60-B15	LL-60-B15	HPW-60-B15	I-60-B15	TM-60-BR
6 1/4"	TS-0148-62HP	TS-07495625	G-282 *	LLU-62-L15	LL-62-L15	HPW-62-L15	I-62-L15	TM-62-LR
6 1/2"	TS-0148-64HP	TS-07495650	G-282 *	LLU-64-L15	LL-64-L15	HPW-64-L15	I-64-L15	TM-64-LR
6 3/4"	TS-0148-66HP	TS-07495675	G-282 *	LLU-66-L15	LL-66-L15	HPW-66-L15	I-66-L15	TM-66-LR
7"	TS-0148-70Cr		G-282 *	LLU-70-L15	LL-70-L15	HPW-70-L15	I-70-L15	TM-70-LR
VALVES, SEATS, SPRINGS						GASKETS		
	4 WEB DESIGN	3 WEB DESIGN	FULL OPEN (1)	FULL OPEN (2)		PART NUMBER		
VALVE	TS-6-EH	-	TS-0995M	TS-6-V1	VALVE COVER GASKET	G-740 *		
SEAT	TS-6-ADDB6	-	TS-1380M	TS-6-S6	CYLINDER HEAD GASKET	G-282 *		
SPRING	TS-5710-115	-	TS-0701M	TS-5710-115	WEAR PLATE GASKET	N/A		
INSERT (Urethane)	TS-6-WI	-	TS-6-MI	TS-6-FI	EXTENSION ROD SEAL	TS-6305-0071-00		
INSERT (Rubber)	TS-6-WR	-	-	TS-6-FR	EXTENSION ROD BAFFLE	TS-6320-0028-00		
PISTON ROD & EXTENSION ROD								
ROD CLAMP	PISTON ROD STUD	PISTON NUT	THREADED TYPE PISTON ROD	CLAMP TYPE PISTON ROD	SUB ROD	THREADED TYPE EXTENSION ROD	CLAMP TYPE EXTENSION ROD	
TMF08-03-08	N/A	TM-NUT	N/A	TM-150	N/A	N/A	TMF08-01-06	
FLUID END MODULE								
FLUID END MODULE STUDED				MODULE SEAL SET		STUDS & NUTS SET		
TS-6999-0086-02B				TMF10-SEALKIT		TMBJ10-STUDSET		

TSC does not warrant or represent that any of such information is accurate, or that any products listed are compatible with each other. Any deviations from the OEM products should be verified as to compatibility.

TSC Manufacturing and Supply LLC, 13788 West Road, Suite 100, Houston, Texas 77041, USA  
 Tel: +1 832 456 3900 Fax: +1 832 456 3998 E-mail: sales@t-s-c.com

## FLUID END EXPENDABLES

**BOMCO**

**F-1000**

**7 x 9**

	LINERS	ZIRCONIA LINERS	LINER GASKETS	PISTONS				PISTON RUBBERS
SIZE	PART NUMBER	PART NUMBER	PART NUMBER	URETHANE BONDED	RUBBER BONDED	N'DURALL BONDED	REPLACEABLE RUBBER	PART NUMBER
4"	TS-0148-40HP	TS-07495400	G-282 *	LLU-40-K15	LL-40-K15	HPW-40-K15	I-40-K15	TM-40-KR
4 1/2"	TS-0148-44HP	TS-07495450	G-282 *	LLU-44-B15	LL-44-B15	HPW-44-B15	I-44-B15	TM-44-BR
5"	TS-0148-50HP	TS-07495500	G-282 *	LLU-50-B15	LL-50-B15	HPW-50-B15	I-50-B15	TM-50-BR
5 1/2"	TS-0148-54HP	TS-07495550	G-282 *	LLU-54-B15	LL-54-B15	HPW-54-B15	I-54-B15	TM-54-BR
5 3/4"	TS-0148-56HP	TS-07499575	G-282 *	LLU-56-B15	LL-56-B15	HPW-56-B15	I-56-B15	TM-56-BR
6"	TS-0148-60HP	TS-07495600	G-282 *	LLU-60-B15	LL-60-B15	HPW-60-B15	I-60-B15	TM-60-BR
6 1/4"	TS-0148-62HP	TS-07495625	G-282 *	LLU-62-L15	LL-62-L15	HPW-62-L15	I-62-L15	TM-62-LR
6 1/2"	TS-0148-64HP	TS-07495650	G-282 *	LLU-64-L15	LL-64-L15	HPW-64-L15	I-64-L15	TM-64-LR
6 3/4"	TS-0148-66HP	TS-07495675	G-282 *	LLU-66-L15	LL-66-L15	HPW-66-L15	I-66-L15	TM-66-LR
7"	TS-0148-70Cr		G-282 *	LLU-70-L15	LL-70-L15	HPW-70-L15	I-70-L15	TM-70-LR
VALVES, SEATS, SPRINGS						GASKETS		
	4 WEB DESIGN	3 WEB DESIGN	FULL OPEN (1)	FULL OPEN (2)		PART NUMBER		
VALVE	TS-6-EH	-	TS-0995M	TS-6-V1	VALVE COVER GASKET	G-740		
SEAT	TS-6-ADDB6	-	TS-1380M	TS-6-S6	CYLINDER HEAD GASKET	G-282		
SPRING	TS-5710-115	-	TS-0701M	TS-5710-115	WEAR PLATE GASKET	N/A		
INSERT (Urethane)	TS-6-WI	-	TS-6-MI	TS-6-FI	EXTENSION ROD SEAL	TS-7602-2132-75		
INSERT (Rubber)	-	-	-	-	EXTENSION ROD BAFFLE	TS-6319-0070-00		
PISTON ROD & EXTENSION ROD								
ROD CLAMP	PISTON ROD STUD	PISTON NUT	THREADED TYPE PISTON ROD	CLAMP TYPE PISTON ROD	SUB ROD	THREADED TYPE EXTENSION ROD	CLAMP TYPE EXTENSION ROD	
TMF10-03-08	N/A	TM-NUT	N/A	TM-148	N/A	N/A	TMF10-01-06	
FLUID END MODULE								
FLUID END MODULE STUDED				MODULE SEAL SET		STUDS & NUTS SET		
TS-6999-0086-02B				TMF10-SEALKIT		TMBJ10-STUDSET		

TSC does not warrant or represent that any of such information is accurate, or that any products listed are compatible with each other.  
Any deviations from the OEM products should be verified as to compatibility.

TSC Manufacturing and Supply LLC, 13788 West Road, Suite 100, Houston, Texas 77041, USA  
Tel: +1 832 456 3900 Fax: +1 832 456 3998 E-mail: sales@t-s-c.com

**FLUID END EXPENDABLES**

**BOMCO**

**F-1300**

**7 x 12**

	LINERS	ZIRCONIA LINERS	LINER GASKETS	PISTONS				PISTON RUBBERS
SIZE	PART NUMBER	PART NUMBER	PART NUMBER	URETHANE BONDED	RUBBER BONDED	N'DURALL BONDED	REPLACEABLE RUBBER	PART NUMBER
4"	TS-2145-40HP	TS-07499400	G-800 *	LLU-40-K15	LL-40-K15	HPW-40-K15	I-40-K15	TM-40-KR
4 1/2"	TS-2145-44HP	TS-07499450	G-800 *	LLU-44-B15	LL-44-B15	HPW-44-B15	I-44-B15	TM-44-BR
5"	TS-2145-50HP	TS-07499500	G-800 *	LLU-50-B15	LL-50-B15	HPW-50-B15	I-50-B15	TM-50-BR
5 1/2"	TS-2145-54HP	TS-07499550	G-800 *	LLU-54-B15	LL-54-B15	HPW-54-B15	I-54-B15	TM-54-BR
5 3/4"	TS-2145-56HP	TS-07499575	G-800 *	LLU-56-B15	LL-56-B15	HPW-56-B15	I-56-B15	TM-56-BR
6"	TS-2145-60HP	TS-07499600	G-800 *	LLU-60-B15	LL-60-B15	HPW-60-B15	I-60-B15	TM-60-BR
6 1/4"	TS-2145-62HP	TS-07499625	G-800 *	LLU-62-L15	LL-62-L15	HPW-62-L15	I-62-L15	TM-62-LR
6 1/2"	TS-2145-64HP	TS-07499650	G-800 *	LLU-64-L15	LL-64-L15	HPW-64-L15	I-64-L15	TM-64-LR
6 3/4"	TS-2145-66HP	TS-07499675	G-800 *	LLU-66-L15	LL-66-L15	HPW-66-L15	I-66-L15	TM-66-LR
7"	TS-2145-70HP	TS-07499700	G-800 *	LLU-70-L15	LL-70-L15	HPW-70-L15	I-70-L15	TM-70-LR
<b>BOMCO PART NUMBER</b>	AH130102051200	AH1301010512	AH130102050800					
<b>VALVES, SEATS, SPRINGS</b>				<b>GASKETS</b>				
	<b>4 WEB DESIGN</b>	<b>FULL OPEN</b>	<b>BOMCO PART NUMBER</b>		<b>TSC PART NUMBER</b>	<b>BOMCO PART NUMBER</b>		
<b>VALVE</b>	TS-7-EEF	TS-7-V1	AH0000020300	<b>VALVE COVER GASKET</b>	G-741 *	AH1301010510		
<b>SEAT</b>	TS-7-DDB1	TS-7-S1	AH0000020300	<b>CYLINDER HEAD GASKET</b>	G-801 *	AH1301010508		
<b>SPRING</b>	TS-5710-115	TS-5710-115L	AH00000101	<b>WEAR PLATE GASKET</b>	G-800 *	AH1301010512		
<b>INSERT (Urethane)</b>	TS-7-WI	TS-7-FI	AH000002030103					
<b>PISTON ROD &amp; EXTENSION ROD</b>								
	<b>ROD CLAMP</b>	<b>PISTON NUT</b>	<b>PISTON ROD</b>	<b>EXTENSION ROD</b>				
TSC PART NUMBER	TMFB6-03-08	TM-NUT	TM-2145	TMF16-01-06				
BOMCO PART NUMBER	AH130102050600	T501-303.0	AH1301020504	AH1301010409				
<b>FLUID END MODULE</b>								
	<b>FLUID END MODULE STUDED</b>	<b>MODULE SEAL SET</b>		<b>STUDS &amp; NUTS SET</b>				
TSC PART NUMBER	TS-6316-0357-00B	TMFB6-SEALKIT		TMBJ16-STUDSET				
BOMCO PART NUMBER	AH130102050100							

TSC does not warrant or represent that any of this information is accurate, or that any products listed are compatible with each other. Any deviations from the OEM products should be verified as to compatibility.

TSC Manufacturing and Supply LLC, 13788 West Road, Suite 100, Houston, Texas 77041, USA  
 Tel: +1 832 456 3900 Fax: +1 832 456 3998 E-mail: sales@t-s-c.com

**FLUID END EXPENDABLES**

**BOMCO**

**F-1600**

**7 x 12**

	LINERS	ZIRCONIA LINERS	LINER GASKETS	PISTONS				PISTON RUBBERS
SIZE	TSC PART NUMBER	PART NUMBER	TSC PART NUMBER	URETHANE BONDED	RUBBER BONDED	N'DURALL BONDED	REPLACEABLE RUBBER	PART NUMBER
4"	TS-2145-40HP	TS-07499400	G-800 *	LLU-40-K15	LL-40-K15	HPW-40-K15	I-40-K15	TM-40-KR
4 1/2"	TS-2145-44HP	TS-07499450	G-800 *	LLU-44-B15	LL-44-B15	HPW-44-B15	I-44-B15	TM-44-BR
5"	TS-2145-50HP	TS-07499500	G-800 *	LLU-50-B15	LL-50-B15	HPW-50-B15	I-50-B15	TM-50-BR
5 1/2"	TS-2145-54HP	TS-07499550	G-800 *	LLU-54-B15	LL-54-B15	HPW-54-B15	I-54-B15	TM-54-BR
5 3/4"	TS-2145-56HP	TS-07499575	G-800 *	LLU-56-B15	LL-56-B15	HPW-56-B15	I-56-B15	TM-56-BR
6"	TS-2145-60HP	TS-07499600	G-800 *	LLU-60-B15	LL-60-B15	HPW-60-B15	I-60-B15	TM-60-BR
6 1/4"	TS-2145-62HP	TS-07499625	G-800 *	LLU-62-L15	LL-62-L15	HPW-62-L15	I-62-L15	TM-62-LR
6 1/2"	TS-2145-64HP	TS-07499650	G-800 *	LLU-64-L15	LL-64-L15	HPW-64-L15	I-64-L15	TM-64-LR
6 3/4"	TS-2145-66HP	TS-07499675	G-800 *	LLU-66-L15	LL-66-L15	HPW-66-L15	I-66-L15	TM-66-LR
7"	TS-2145-70HP	TS-07499700	G-800 *	LLU-70-L15	LL-70-L15	HPW-70-L15	I-70-L15	TM-70-LR
<b>BOMCO PART NUMBER</b>	AH130102051200		AH1301010512	AH130102050800				
<b>VALVES, SEATS, SPRINGS</b>				<b>GASKETS</b>				
	<b>4 WEB DESIGN</b>	<b>FULL OPEN</b>	<b>BOMCO PART NUMBER</b>		<b>TSC PART NUMBER</b>	<b>BOMCO PART NUMBER</b>		
<b>VALVE</b>	TS-7-EEF	TS-7-V1	AH0000020300	<b>VALVE COVER GASKET</b>	G-741 *	AH1301010510		
<b>SEAT</b>	TS-7-DDB1	TS-7-S1	AH0000020300	<b>CYLINDER HEAD GASKET</b>	G-801 *	AH1301010508		
<b>SPRING</b>	TS-5710-115	TS-5710-115L	AH00000101	<b>WEAR PLATE GASKET</b>	G-800 *	AH1301010512		
<b>INSERT (Urethane)</b>	TS-7-WI	TS-7-FI	AH000002030103					
<b>PISTON ROD &amp; EXTENSION ROD</b>								
	<b>ROD CLAMP</b>	<b>PISTON NUT</b>	<b>PISTON ROD</b>	<b>EXTENSION ROD</b>				
TSC PART NUMBER	TMFB6-03-08	TM-NUT	TM-2145	TMF16-01-06				
BOMCO PART NUMBER	AH130102050600	T501-303.0	AH1301020504	AH1301010409				
<b>FLUID END MODULE</b>								
	<b>FLUID END MODULE STUDDER</b>	<b>MODULE SEAL SET</b>		<b>STUDS &amp; NUTS SET</b>				
TSC PART NUMBER	TS-6316-0357-00B	TMF16-SEALKIT		TMBJ16-STUDSET				
BOMCO PART NUMBER	AH130102050100							

TSC does not warrant or represent that any of such information is accurate, or that any products listed are compatible with each other.  
Any deviations from the OEM products should be verified as to compatibility.

TSC Manufacturing and Supply LLC, 13788 West Road, Suite 100, Houston, Texas 77041, USA  
Tel: +1 832 456 3900 Fax: +1 832 456 3998 E-mail: sales@t-s-c.com

## FLUID END EXPENDABLES

**LANSHI**
**3NB-1000C**

	LINERS		LINER GASKETS	PISTONS			PISTON RUBBERS
SIZE	PART NUMBER	PART NUMBER	URETHANE BONDED	RUBBER BONDED	N'DURALL BONDED	REPLACEABLE RUBBER	PART NUMBER
4 1/2"	TS-4255-44HP	G-274 *	LLU-44-B15	LL-44-B15	HPW-44-B15	I-44-B15	TM-44-KR
5"	TS-4255-50HP	G-265 *	LLU-50-B15	LL-50-B15	HPW-50-B15	I-50-B15	TM-50-BR
5 1/2"	TS-4255-54HP	G-263 *	LLU-54-B15	LL-54-B15	HPW-54-B15	I-54-B15	TM-54-BR
5 3/4"	TS-4255-56HP	-	LLU-56-B15	LL-56-B15	HPW-56-B15	I-56-B15	TM-56-BR
6"	TS-4255-60HP	G-261 *	LLU-60-B15	LL-60-B15	HPW-60-B15	I-60-B15	TM-60-BR
6 1/4"	TS-4255-62HP	-	LLU-62-L15	LL-62-L15	HPW-62-L15	I-62-L15	TM-62-BR
6 1/2"	TS-4255-64HP	G-283 *	LLU-64-L15	LL-64-L15	HPW-64-L15	I-64-L15	TM-64-LR
6 3/4"	TS-4255-66HP	-	LLU-66-L15	LL-66-L15	HPW-66-L15	I-66-L15	TM-66-LR
7"	TS-4255-70HP	-	LLU-70-L15	LL-70-L15	HPW-70-L15	I-70-L15	TM-70-LR
VALVES, SEATS, SPRINGS					GASKETS		
	4 WEB DESIGN	3 WEB DESIGN	FULL OPEN (1)	FULL OPEN (2)		PART NUMBER	
VALVE	TS-6-EH	-	TS-0995M	TS-6-V1	VALVE COVER GASKET	TS-107.04.110.55	
SEAT	TS-6-ADDB6	-	TS-1380M	TS-6-S6	CYLINDER HEAD GASKET	TS-107.14.110.13	
SPRING	TS-5710-115	-	-	TS-5710-115L	WEAR PLATE GASKET	TS-107.04.09	
INSERT (Urethane)	TS-6-WI	-	TS-6-MI	TS-6-FI	EXTENSION ROD SEAL	TS-107.11.97.00	
INSERT (Rubber)	TS-7-WR	-	-	TS-6-FR	EXTENSION ROD BAFFLE	TS-107.11.70.00	
PISTON ROD & EXTENSION ROD							
ROD CLAMP	PISTON NUT	THREADED TYPE PISTON ROD	CLAMP TYPE PISTON ROD	SUB ROD	THREADED TYPE EXTENSION ROD	CLAMP TYPE EXTENSION ROD	
TS-107.14.125.00	TS-107.04.120.00	-	TS-107.11.110.39	-	-	TS-107.11.01.02	
FLUID END MODULE							
FLUID END MODULE STUDED			MODULE SEAL SET		STUDS & NUTS SET		
TS-107.14.110.14			TMNB10-SEALKIT		TMNB10-STUDSET		

TSC does not warrant or represent that any of such information is accurate, or that any products listed are compatible with each other.  
Any deviations from the OEM products should be verified as to compatibility.

TSC Manufacturing and Supply LLC, 13788 West Road, Suite 100, Houston, Texas 77041, USA  
Tel: +1 832 456 3900 Fax: +1 832 456 3998 E-mail: sales@t-s-c.com



## FLUID END EXPENDABLES

LANSHI

3NB-1300C

	LINERS	LINER GASKETS	PISTONS				PISTON RUBBERS
SIZE	PART NUMBER	PART NUMBER	URETHANE BONDED	RUBBER BONDED	N'DURALL BONDED	REPLACEABLE RUBBER	PART NUMBER
4 1/2"	TS-4259-44HP	G-260 *	LLU-44-B15	LL-44-B15	HPW-44-B15	I-44-B15	TM-44-KR
5"	TS-4259-50HP	G-260 *	LLU-50-B15	LL-50-B15	HPW-50-B15	I-50-B15	TM-50-BR
5 1/2"	TS-4259-54HP	G-260 *	LLU-54-B15	LL-54-B15	HPW-54-B15	I-54-B15	TM-54-BR
5 3/4"	TS-4259-56HP	G-260 *	LLU-56-B15	LL-56-B15	HPW-56-B15	I-56-B15	TM-56-BR
6"	TS-4259-60HP	G-260 *	LLU-60-B15	LL-60-B15	HPW-60-B15	I-60-B15	TM-60-BR
6 1/4"	TS-4259-62HP	G-260 *	LLU-62-L15	LL-62-L15	HPW-62-L15	I-62-L15	TM-62-BR
6 1/2"	TS-4259-64HP	G-260 *	LLU-64-L15	LL-64-L15	HPW-64-L15	I-64-L15	TM-64-LR
6 3/4"	TS-4259-66HP	G-260 *	LLU-66-L15	LL-66-L15	HPW-66-L15	I-66-L15	TM-66-LR
7"	TS-4259-70HP	G-260 *	LLU-70-L15	LL-70-L15	HPW-70-L15	I-70-L15	TM-70-LR
VALVES, SEATS, SPRINGS					GASKETS		
	4 WEB DESIGN	3 WEB DESIGN	FULL OPEN (1)	FULL OPEN (2)		PART NUMBER	
VALVE	TS-7-EEF	TS-202PZL482	TS-0985M	TS-7-V1	VALVE COVER GASKET	TS-107.11.110.05	
SEAT	TS-7-DDB1	TS-202PZL039	TS-1370M	TS-7-S1	CYLINDER HEAD GASKET	TS-107.11.110.68	
SPRING	TS-5710-110	-	-	TS-5710-110L	WEAR PLATE GASKET	TS-107.11.110.42	
INSERT (Urethane)	TS-7-WI	-	TS-7-MI	TS-7-FI	EXTENSION ROD SEAL	-	
INSERT (Rubber)	TS-7-WR	-	-	TS-7-FR	EXTENSION ROD BAFFLE	TS-107.11.70.00	
PISTON ROD & EXTENSION ROD							
ROD CLAMP	PISTON NUT	THREADED TYPE PISTON ROD	CLAMP TYPE PISTON ROD	SUB ROD	THREADED TYPE EXTENSION ROD	CLAMP TYPE EXTENSION ROD	
TS-107.11.114.00	TS-107.04.120.00	-	TS-107.11.110.39	-	-	TS-107.11.01.02	
FLUID END MODULE							
FLUID END MODULE STUDDER			MODULE SEAL SET		STUDS & NUTS SET		
TS-107.11.110.14-2			TMNB16-SEALKIT		TMNB16-STUDSET		

TSC does not warrant or represent that any of such information is accurate, or that any products listed are compatible with each other. Any deviations from the OEM products should be verified as to compatibility.

TSC Manufacturing and Supply LLC, 13788 West Road, Suite 100, Houston, Texas 77041, USA  
 Tel: +1 832 456 3900 Fax: +1 832 456 3998 E-mail: sales@t-s-c.com

**FLUID END EXPENDABLES**

**LANSHI**

**3NB-1600**

	LINERS	LINER GASKETS	PISTONS				PISTON RUBBERS
SIZE	PART NUMBER	PART NUMBER	URETHANE BONDED	RUBBER BONDED	N'DURALL BONDED	REPLACEABLE RUBBER	PART NUMBER
4 1/2"	TS-4259-44HP	G-260 *	LLU-44-B15	LL-44-B15	HPW-44-B15	I-44-B15	TM-44-KR
5"	TS-4259-50HP	G-260 *	LLU-50-B15	LL-50-B15	HPW-50-B15	I-50-B15	TM-50-BR
5 1/2"	TS-4259-54HP	G-260 *	LLU-54-B15	LL-54-B15	HPW-54-B15	I-54-B15	TM-54-BR
5 3/4"	TS-4259-56HP	G-260 *	LLU-56-B15	LL-56-B15	HPW-56-B15	I-56-B15	TM-56-BR
6"	TS-4259-60HP	G-260 *	LLU-60-B15	LL-60-B15	HPW-60-B15	I-60-B15	TM-60-BR
6 1/4"	TS-4259-62HP	G-260 *	LLU-62-L15	LL-62-L15	HPW-62-L15	I-62-L15	TM-62-BR
6 1/2"	TS-4259-64HP	G-260 *	LLU-64-L15	LL-64-L15	HPW-64-L15	I-64-L15	TM-64-LR
6 3/4"	TS-4259-66HP	G-260 *	LLU-66-L15	LL-66-L15	HPW-66-L15	I-66-L15	TM-66-LR
7"	TS-4259-70HP	G-260 *	LLU-70-L15	LL-70-L15	HPW-70-L15	I-70-L15	TM-70-LR
VALVES, SEATS, SPRINGS					GASKETS		
	4 WEB DESIGN	3 WEB DESIGN	FULL OPEN (1)	FULL OPEN (2)		PART NUMBER	
VALVE	TS-7-EEF	TS-202PZL482	TS-0985M	TS-7-V1	VALVE COVER GASKET	TS-107.11.110.05	
SEAT	TS-7-DDB1	TS-202PZL039	TS-1370M	TS-7-S1	CYLINDER HEAD GASKET	TS-107.11.110.68	
SPRING	TS-5710-110	-	-	TS-5710-110L	WEAR PLATE GASKET	TS-107.11.110.42	
INSERT (Urethane)	TS-7-WI	-	TS-7-MI	TS-7-FI	EXTENSION ROD SEAL	-	
INSERT (Rubber)	TS-7-WR	-	-	TS-7-FR	EXTENSION ROD BAFFLE	TS-107.11.70.00	
PISTON ROD & EXTENSION ROD							
ROD CLAMP	PISTON NUT	THREADED TYPE PISTON ROD	CLAMP TYPE PISTON ROD	SUB ROD	THREADED TYPE EXTENSION ROD	CLAMP TYPE EXTENSION ROD	
TS-107.11.114.00	TS-107.04.120.00	-	TS-107.11.110.39	-	-	TS-107.11.01.02	
FLUID END MODULE							
FLUID END MODULE STUDDED			MODULE SEAL SET		STUDS & NUTS SET		
TS-107.11.110.14-2			TMNB16-SEALKIT		TMNB16-STUDSET		

TSC does not warrant or represent that any of such information is accurate, or that any products listed are compatible with each other. Any deviations from the OEM products should be verified as to compatibility.

TSC Manufacturing and Supply LLC, 13788 West Road, Suite 100, Houston, Texas 77041, USA  
 Tel: +1 832 456 3900 Fax: +1 832 456 3998 E-mail: sales@t-s-c.com

**FLUID END EXPENDABLES**

**HONGHUA**

**HHF-1300**

**7 x 12**

	LINERS	ZIRCONIA LINERS	LINER GASKETS	PISTONS				PISTON RUBBERS
SIZE	TSC PART NUMBER	PART NUMBER	TSC PART NUMBER	URETHANE BONDED	RUBBER BONDED	N'DURALL BONDED	REPLACEABLE RUBBER	PART NUMBER
4"	TS-2145-40HP	TS-07499400	G-800 *	LLU-40-K15	LL-40-K15	HPW-40-K15	I-40-K15	TM-40-KR
4 1/2"	TS-2145-44HP	TS-07499450	G-800 *	LLU-44-B15	LL-44-B15	HPW-44-B15	I-44-B15	TM-44-BR
5"	TS-2145-50HP	TS-07499500	G-800 *	LLU-50-B15	LL-50-B15	HPW-50-B15	I-50-B15	TM-50-BR
5 1/2"	TS-2145-54HP	TS-07499550	G-800 *	LLU-54-B15	LL-54-B15	HPW-54-B15	I-54-B15	TM-54-BR
5 3/4"	TS-2145-56HP	TS-07499575	G-800 *	LLU-56-B15	LL-56-B15	HPW-56-B15	I-56-B15	TM-56-BR
6"	TS-2145-60HP	TS-07499600	G-800 *	LLU-60-B15	LL-60-B15	HPW-60-B15	I-60-B15	TM-60-BR
6 1/4"	TS-2145-62HP	TS-07499625	G-800 *	LLU-62-L15	LL-62-L15	HPW-62-L15	I-62-L15	TM-62-LR
6 1/2"	TS-2145-64HP	TS-07499650	G-800 *	LLU-64-L15	LL-64-L15	HPW-64-L15	I-64-L15	TM-64-LR
6 3/4"	TS-2145-66HP	TS-07499675	G-800 *	LLU-66-L15	LL-66-L15	HPW-66-L15	I-66-L15	TM-66-LR
7"	TS-2145-70HP	TS-07499700	G-800 *	LLU-70-L15	LL-70-L15	HPW-70-L15	I-70-L15	TM-70-LR
<b>HONGHUA PART NUMBER</b>	11-3161-0521~26	11-3161-0514	11-3161-0524-00					
<b>VALVES, SEATS, SPRINGS</b>				<b>GASKETS</b>				
	<b>4 WEB DESIGN</b>	<b>FULL OPEN</b>	<b>HONGHUA PART NUMBER</b>		<b>TSC PART NUMBER</b>	<b>HONGHUA PART NUMBER</b>		
<b>VALVE</b>	TS-7-EEF	TS-7-V1	11-3161-0511-01	<b>VALVE COVER GASKET</b>	G-741 *	11-3161-0512		
<b>SEAT</b>	TS-7-DDB1	TS-7-S1	11-3161-0511-06	<b>CYLINDER HEAD GASKET</b>	G-801 *	11-3161-0508		
<b>SPRING</b>	TS-5710-115	TS-5710-115L	11-3161-0510	<b>WEAR PLATE GASKET</b>	G-800 *	11-3161-0514		
<b>INSERT (Urethane)</b>	TS-7-WI	TS-7-FI	11-3161-0511-05					
<b>PISTON ROD &amp; EXTENSION ROD</b>								
	<b>ROD CLAMP</b>	<b>PISTON NUT</b>	<b>PISTON ROD</b>	<b>EXTENSION ROD</b>				
TSC PART NUMBER	TMFB6-03-08	TM-NUT	TM-2145	TMF16-01-06				
HONGHUA PART NUMBER	11-3161-0522-00	11-3161-0532-00	11-3161-0518	11-3161-0412				
<b>FLUID END MODULE</b>								
	<b>FLUID END MODULE STUDDERED</b>	<b>MODULE SEAL SET</b>	<b>STUDS &amp; NUTS SET</b>					
TSC PART NUMBER	TS-6316-0357-00B	TMFB6-SEALKIT	TMBJ16-STUDSET					
HONGHUA PART NUMBER	11-3161-0501-00							

TSC does not warrant or represent that any of such information is accurate, or that any products listed are compatible with each other.  
Any deviations from the OEM products should be verified as to compatibility.

TSC Manufacturing and Supply LLC, 13788 West Road, Suite 100, Houston, Texas 77041, USA  
Tel: +1 832 456 3900 Fax: +1 832 456 3998 E-mail: sales@t-s-c.com



## FLUID END EXPENDABLES

**HONGHUA**
**HHF-1600**
**7 x 12**

	LINERS	ZIRCONIA LINERS	LINER GASKETS	PISTONS				PISTON RUBBERS
SIZE	TSC PART NUMBER	PART NUMBER	TSC PART NUMBER	URETHANE BONDED	RUBBER BONDED	N'DURALL BONDED	REPLACEABLE RUBBER	PART NUMBER
4"	TS-2145-40HP	TS-07499400	G-800 *	LLU-40-K15	LL-40-K15	HPW-40-K15	I-40-K15	TM-40-KR
4 1/2"	TS-2145-44HP	TS-07499450	G-800 *	LLU-44-B15	LL-44-B15	HPW-44-B15	I-44-B15	TM-44-BR
5"	TS-2145-50HP	TS-07499500	G-800 *	LLU-50-B15	LL-50-B15	HPW-50-B15	I-50-B15	TM-50-BR
5 1/2"	TS-2145-54HP	TS-07499550	G-800 *	LLU-54-B15	LL-54-B15	HPW-54-B15	I-54-B15	TM-54-BR
5 3/4"	TS-2145-56HP	TS-07499575	G-800 *	LLU-56-B15	LL-56-B15	HPW-56-B15	I-56-B15	TM-56-BR
6"	TS-2145-60HP	TS-07499600	G-800 *	LLU-60-B15	LL-60-B15	HPW-60-B15	I-60-B15	TM-60-BR
6 1/4"	TS-2145-62HP	TS-07499625	G-800 *	LLU-62-L15	LL-62-L15	HPW-62-L15	I-62-L15	TM-62-LR
6 1/2"	TS-2145-64HP	TS-07499650	G-800 *	LLU-64-L15	LL-64-L15	HPW-64-L15	I-64-L15	TM-64-LR
6 3/4"	TS-2145-66HP	TS-07499675	G-800 *	LLU-66-L15	LL-66-L15	HPW-66-L15	I-66-L15	TM-66-LR
7"	TS-2145-70HP	TS-07499700	G-800 *	LLU-70-L15	LL-70-L15	HPW-70-L15	I-70-L15	TM-70-LR
<b>HONGHUA PART NUMBER</b>	11-3161-0521~26	11-3161-0514					11-3161-0524-00	
<b>VALVES, SEATS, SPRINGS</b>					<b>GASKETS</b>			
	<b>4 WEB DESIGN</b>	<b>FULL OPEN</b>	<b>HONGHUA PART NUMBER</b>			<b>TSC PART NUMBER</b>	<b>HONGHUA PART NUMBER</b>	
<b>VALVE</b>	TS-7-EEF	TS-7-V1	11-3161-0511-01	<b>VALVE COVER GASKET</b>		G-741 *	11-3161-0512	
<b>SEAT</b>	TS-7-DDB1	TS-7-S1	11-3161-0511-06	<b>CYLINDER HEAD GASKET</b>		G-801 *	11-3161-0508	
<b>SPRING</b>	TS-5710-115	TS-5710-115L	11-3161-0510	<b>WEAR PLATE GASKET</b>		G-800 *	11-3161-0514	
<b>INSERT (Urethane)</b>	TS-7-WI	TS-7-FI	11-3161-0511-05					
<b>PISTON ROD &amp; EXTENSION ROD</b>								
	<b>ROD CLAMP</b>	<b>PISTON NUT</b>	<b>PISTON ROD</b>	<b>EXTENSION ROD</b>				
TSC PART NUMBER	TMFB6-03-08	TM-NUT	TM-2145	TMF16-01-06				
HONGHUA PART NUMBER	11-3161-0522-00	11-3161-0532-00	11-3161-0518	11-3161-0412				
<b>FLUID END MODULE</b>								
	<b>FLUID END MODULE STUDDER</b>	<b>MODULE SEAL SET</b>	<b>STUDS &amp; NUTS SET</b>					
TSC PART NUMBER	TS-6316-0357-00B	TMFB6-SEALKIT	TMBJ16-STUDSET					
HONGHUA PART NUMBER	11-3161-0501-00							

TSC does not warrant or represent that any of such information is accurate, or that any products listed are compatible with each other.  
Any deviations from the OEM products should be verified as to compatibility.

TSC Manufacturing and Supply LLC, 13788 West Road, Suite 100, Houston, Texas 77041, USA  
Tel: +1 832 456 3900 Fax: +1 832 456 3998 E-mail: sales@t-s-c.com

**FLUID END EXPENDABLES**

**SOUTHWEST**

**12-P-160**

**7-1/2 x 12**

LINERS		ZIRCONIA LINERS	LINER GASKETS	PISTONS				PISTON RUBBERS
SIZE	PART NUMBER	PART NUMBER	PART NUMBER	URETHANE BONDED	RUBBER BONDED	N'DURALL BONDED	REPLACEABLE RUBBER	PART NUMBER
4"	TS-0259-40HP	TS-07466400	G-265 *	LLU-40-K15	LL-40-K15	HPW-40-K15	I-40-K15	TM-40-KR
4 1/2"	TS-0259-44HP	TS-07466450	G-265 *	LLU-44-B15	LL-44-B15	HPW-44-B15	I-44-B15	TM-44-BR
5"	TS-0259-50HP	TS-07466500	G-265 *	LLU-50-B15	LL-50-B15	HPW-50-B15	I-50-B15	TM-50-BR
5 1/2"	TS-0259-54HP	TS-07466550	G-263 *	LLU-54-B15	LL-54-B15	HPW-54-B15	I-54-B15	TM-54-BR
5 3/4"	TS-0259-56HP	TS-07466575	-	LLU-56-B15	LL-56-B15	HPW-56-B15	I-56-B15	TM-56-BR
6"	TS-0259-60HP	TS-07466600	G-261 *	LLU-60-B15	LL-60-B15	HPW-60-B15	I-60-B15	TM-60-BR
6 1/4"	TS-0259-62HP	TS-07466625	G-283 *	LLU-62-L15	LL-62-L15	HPW-62-L15	I-62-L15	TM-62-LR
6 1/2"	TS-0259-64HP	TS-07466650	G-284 *	LLU-64-L15	LL-64-L15	HPW-64-L15	I-64-L15	TM-64-LR
6 3/4"	TS-0259-66HP	TS-07466675	G-287 *	LLU-66-L15	LL-66-L15	HPW-66-L15	I-66-L15	TM-66-LR
7"	TS-0259-70HP	TS-07466700	G-285 *	LLU-70-L15	LL-70-L15	HPW-70-L15	I-70-L15	TM-70-LR
VALVES, SEATS, SPRINGS						GASKETS		
	4 WEB DESIGN	3 WEB DESIGN	FULL OPEN (1)	FULL OPEN (2)		PART NUMBER		
VALVE	TS-7-EEF	-	TS-0985M	TS-7-V1	VALVE COVER GASKET	TS-SW119		
SEAT	TS-7-DDB12	-	TS-1440M	TS-7-S12	CYLINDER HEAD GASKET	-		
SPRING	TS-5710-115	-	-	TS-5710-115L	WEAR PLATE GASKET	TS-1290344		
INSERT (Urethane)	TS-7-WI	-	TS-7-MI	TS-7-FI	EXTENSION ROD SEAL	TS-1292182		
INSERT (Rubber)	TS-7-WR	-	-	-	EXTENSION ROD BAFFLE	TS-1292194		
PISTON ROD & EXTENSION ROD								
ROD CLAMP	PISTON ROD STUD	PISTON NUT	THREADED TYPE PISTON ROD	CLAMP TYPE PISTON ROD	SUB ROD	THREADED TYPE EXTENSION ROD	CLAMP TYPE EXTENSION ROD	
TM12P-03-08	N/A	TM-NUT	N/A	TM-258-A	TM-258-B	N/A	TM12P-01-06	
FLUID END MODULE								
SUCTION MODULE STUDD		DISCHARGE MODULE STUDD		MODULE SEAL SET		STUDS & NUTS SET		
TS-FEM12PSUCSWNS		TS-FEM12PDISSWNS		TM12PSW-SEALKIT		TM12PSW-STUDSETD TM12PSW-STUDSETS		

TSC does not warrant or represent that any of such information is accurate, or that any products listed are compatible with each other. Any deviations from the OEM products should be verified as to compatibility.

TSC Manufacturing and Supply LLC, 13788 West Road, Suite 100, Houston, Texas 77041, USA  
Tel: +1 832 456 3900 Fax: +1 832 456 3998 E-mail: sales@t-s-c.com

**FLUID END EXPENDABLES**

**SOUTHWEST**

**FB-1300**

**7 x 12**

	LINERS		ZIRCONIA LINERS	LINER GASKETS	PISTONS				PISTON RUBBER
SIZE	PART NUMBER	PART NUMBER	PART NUMBER	URETHANE BONDED	RUBBER BONDED	N'DURALL BONDED	REPLACEABLE RUBBER	PART NUMBER	
4"	TS-2145-40HP	TS-07499400	G-800 *	LLU-40-K15	LL-40-K15	HPW-40-K15	I-40-K15	TM-40-KR	
4 1/2"	TS-2145-44HP	TS-07499450	G-800 *	LLU-44-B15	LL-44-B15	HPW-44-B15	I-44-B15	TM-44-BR	
5"	TS-2145-50HP	TS-07499500	G-800 *	LLU-50-B15	LL-50-B15	HPW-50-B15	I-50-B15	TM-50-BR	
5 1/2"	TS-2145-54HP	TS-07499550	G-800 *	LLU-54-B15	LL-54-B15	HPW-54-B15	I-54-B15	TM-54-BR	
5 3/4"	TS-2145-56HP	TS-07499575	G-800 *	LLU-56-B15	LL-56-B15	HPW-56-B15	I-56-B15	TM-56-BR	
6"	TS-2145-60HP	TS-07499600	G-800 *	LLU-60-B15	LL-60-B15	HPW-60-B15	I-60-B15	TM-60-BR	
6 1/4"	TS-2145-62HP	TS-07499625	G-800 *	LLU-62-L15	LL-62-L15	HPW-62-L15	I-62-L15	TM-62-LR	
6 1/2"	TS-2145-64HP	TS-07499650	G-800 *	LLU-64-L15	LL-64-L15	HPW-64-L15	I-64-L15	TM-64-LR	
6 3/4"	TS-2145-66HP	TS-07499675	G-800 *	LLU-66-L15	LL-66-L15	HPW-66-L15	I-66-L15	TM-66-LR	
7"	TS-2145-70HP	TS-07499700	G-800 *	LLU-70-L15	LL-70-L15	HPW-70-L15	I-70-L15	TM-70-LR	
VALVES, SEATS, SPRINGS						GASKETS			
	4 WEB DESIGN	3 WEB DESIGN	FULL OPEN (1)	FULL OPEN (2)		PART NUMBER			
VALVE	TS-7-EEF	TS-202482	TS-0985M	TS-7-V1	VALVE COVER GASKET	TS-P-129			
SEAT	TS-7-DDB1	TS-202039	TS-1370M	TS-7-S1	WEAR PLATE GASKET	TS-2988			
SPRING	TS-5710-115	-	-	TS-5710-115L	EXTENSION ROD SEAL	TS-7602-2132-76			
INSERT (Urethane)	TS-7-WI	TS-201106	TS-7-MI	TS-7-FI	EXTENSION ROD BAFFLE	TS-6316-0093-00			
INSERT (Rubber)	TS-7-WR	TS-201107	-	-	-	-			
PISTON ROD & EXTENSION ROD									
ROD CLAMP	PISTON ROD STUD	PISTON NUT	THREADED TYPE PISTON ROD	CLAMP TYPE PISTON ROD	SUB ROD	THREADED TYPE EXTENSION ROD	CLAMP TYPE EXTENSION ROD		
TMFB6-03-08	N/A	TM-NUT	N/A	TM-2145	N/A	N/A	TMFB6-01-06		
FLUID END MODULE									
SUCTION MODULE STUDDED				MODULE SEAL SET		STUDS & NUTS SET			
TS-8490-2S				TMFBSW-SEALKIT		TMFBSW-STUDSET			

TSC does not warrant or represent that any of such information is accurate, or that any products listed are compatible with each other. Any deviations from the OEM products should be verified as to compatibility.

TSC Manufacturing and Supply LLC, 13788 West Road, Suite 100, Houston, Texas 77041, USA  
 Tel: +1 832 456 3900 Fax: +1 832 456 3998 E-mail: sales@t-s-c.com

**FLUID END EXPENDABLES**

**SOUTHWEST**

**FB-1600**

**7 x 12**

	LINERS	ZIRCONIA LINERS	LINER GASKETS	PISTONS				PISTON RUBBER
SIZE	PART NUMBER	PART NUMBER	PART NUMBER	URETHANE BONDED	RUBBER BONDED	N'DURALL BONDED	REPLACEABLE RUBBER	PART NUMBER
4"	TS-2145-40HP	TS-07499400	G-800 *	LLU-40-K15	LL-40-K15	HPW-40-K15	I-40-K15	TM-40-KR
4 1/2"	TS-2145-44HP	TS-07499450	G-800 *	LLU-44-B15	LL-44-B15	HPW-44-B15	I-44-B15	TM-44-BR
5"	TS-2145-50HP	TS-07499500	G-800 *	LLU-50-B15	LL-50-B15	HPW-50-B15	I-50-B15	TM-50-BR
5 1/2"	TS-2145-54HP	TS-07499550	G-800 *	LLU-54-B15	LL-54-B15	HPW-54-B15	I-54-B15	TM-54-BR
5 3/4"	TS-2145-56HP	TS-07499575	G-800 *	LLU-56-B15	LL-56-B15	HPW-56-B15	I-56-B15	TM-56-BR
6"	TS-2145-60HP	TS-07499600	G-800 *	LLU-60-B15	LL-60-B15	HPW-60-B15	I-60-B15	TM-60-BR
6 1/4"	TS-2145-62HP	TS-07499625	G-800 *	LLU-62-L15	LL-62-L15	HPW-62-L15	I-62-L15	TM-62-LR
6 1/2"	TS-2145-64HP	TS-07499650	G-800 *	LLU-64-L15	LL-64-L15	HPW-64-L15	I-64-L15	TM-64-LR
6 3/4"	TS-2145-66HP	TS-07499675	G-800 *	LLU-66-L15	LL-66-L15	HPW-66-L15	I-66-L15	TM-66-LR
7"	TS-2145-70HP	TS-07499700	G-800 *	LLU-70-L15	LL-70-L15	HPW-70-L15	I-70-L15	TM-70-LR
VALVES, SEATS, SPRINGS						GASKETS		
	4 WEB DESIGN	3 WEB DESIGN	FULL OPEN (1)	FULL OPEN (2)		PART NUMBER		
VALVE	TS-7-EEF	TS-202482	TS-0985M	TS-7-V1	VALVE COVER GASKET	TS-P-129		
SEAT	TS-7-DDB1	TS-202039	TS-1370M	TS-7-S1	WEAR PLATE GASKET	TS-2988		
SPRING	TS-5710-115	-	-	TS-5710-115L	EXTENSION ROD SEAL	TS-7602-2132-76		
INSERT (Urethane)	TS-7-WI	TS-201106	TS-7-MI	TS-7-FI	EXTENSION ROD BAFFLE	TS-6316-0093-00		
INSERT (Rubber)	TS-7-WR	TS-201107	-	-				
PISTON ROD & EXTENSION ROD								
ROD CLAMP	PISTON ROD STUD	PISTON NUT	THREADED TYPE PISTON ROD	CLAMP TYPE PISTON ROD	SUB ROD	THREADED TYPE EXTENSION ROD	CLAMP TYPE EXTENSION ROD	
TMFB6-03-08	TS-1290-2	TM-NUT	N/A	TM-2145	N/A	N/A	TMFB6-01-06	
FLUID END MODULE								
SUCTION MODULE STUDDED				MODULE SEAL SET		STUDS & NUTS SET		
TS-8490-2S				TMFBSW-SEALKIT		TMFBSW-STUDSET		

TSC does not warrant or represent that any of such information is accurate, or that any products listed are compatible with each other. Any deviations from the OEM products should be verified as to compatibility.

TSC Manufacturing and Supply LLC, 13788 West Road, Suite 100, Houston, Texas 77041, USA  
 Tel: +1 832 456 3900 Fax: +1 832 456 3998 E-mail: sales@t-s-c.com

**FLUID END EXPENDABLES**

**SOUTHWEST**

**A-1400**

**7-1/2 x 12**

	LINERS	ZIRCONIA LINERS	LINER GASKETS	PISTONS				PISTON RUBBERS
SIZE	PART NUMBER	PART NUMBER	PART NUMBER	URETHANE BONDED	RUBBER BONDED	N'DURALL BONDED	REPLACEABLE RUBBER	PART NUMBER
4 1/2"	TS-0284-44HP	TS-07326450	G-754 *	LLU-44-B15	LL-44-B15	HPW-44-B15	I-44-B15	TM-44-BR
5"	TS-0284-50HP	TS-07326500	G-742 *	LLU-50-B15	LL-50-B15	HPW-50-B15	I-50-B15	TM-50-BR
5 1/2"	TS-0284-54HP	TS-07326550	G-743 *	LLU-54-B15	LL-54-B15	HPW-54-B15	I-54-B15	TM-54-BR
5 3/4"	TS-0284-56HP	TS-07326575	G-744 *	LLU-56-B15	LL-56-B15	HPW-56-B15	I-56-B15	TM-56-BR
6"	TS-0284-60HP	TS-07326600	G-745 *	LLU-60-B15	LL-60-B15	HPW-60-B15	I-60-B15	TM-60-BR
6 1/4"	TS-0284-62HP	TS-07326625	-	LLU-62-L15	LL-62-L15	HPW-62-L15	I-62-L15	TM-62-LR
6 1/2"	TS-0284-64HP	TS-07326650	G-746 *	LLU-64-L15	LL-64-L15	HPW-64-L15	I-64-L15	TM-64-LR
6 3/4"	TS-0284-66HP	TS-07326675	G-755 *	LLU-66-L15	LL-66-L15	HPW-66-L15	I-66-L15	TM-66-LR
7"	TS-0284-70HP	TS-07326700	G-756 *	LLU-70-L15	LL-70-L15	HPW-70-L15	I-70-L15	TM-70-LR
7 1/4"	TS-0284-72Cr	TS-07326725	G-757 *	LLU-72-L15	LL-72-L15	HPW-72-L15	I-72-L15	TM-72-LR
7 1/2"	TS-0284-74Cr	TS-07326750	G-758 *	LLU-74-L15	LL-74-L15	HPW-74-L15	I-74-L15	TM-74-LR
VALVES, SEATS, SPRINGS						GASKETS		
	4 WEB DESIGN	3 WEB DESIGN	FULL OPEN (1)	FULL OPEN (2)		PART NUMBER		
VALVE	TS-7-EEF	TS-202482	TS-0985M	TS-7-V1	VALVE COVER GASKET	G-760 *		
SEAT	TS-7-DDB1	TS-202039	TS-1370M	TS-7-S1	CYLINDER HEAD GASKET	-		
SPRING	TS-5710-115	-	-	TS-5710-115L	WEAR PLATE GASKET	G-742 *		
INSERT (Urethane)	TS-7-WI	TS-201106	TS-7-MI	TS-7-FI	EXTENSION ROD SEAL	TS-20-100-015		
INSERT (Rubber)	TS-7-WR	TS-201107	-	-	EXTENSION ROD BAFFLE	TS-204-0668		
PISTON ROD & EXTENSION ROD								
ROD CLAMP	PISTON ROD STUD	PISTON NUT	THREADED TYPE PISTON ROD	CLAMP TYPE PISTON ROD	SUB ROD	THREADED TYPE EXTENSION ROD	CLAMP TYPE EXTENSION ROD	
TMA14-03-08	TM-283D	TM-NUT	N/A	TM-283-C	TM-283-A	N/A	TMA14-01-06	
FLUID END MODULE								
SUCTION MODULE STUDED		DISCHARGE MODULE STUDED		MODULE SEAL SET		STUDS & NUTS SET		
TS-8488-2S		TS-8488-1D		TMA14SW-SEALKIT		TMA14SW-STUDSET		

TSC does not warrant or represent that any of such information is accurate, or that any products listed are compatible with each other. Any deviations from the OEM products should be verified as to compatibility.

TSC Manufacturing and Supply LLC, 13788 West Road, Suite 100, Houston, Texas 77041, USA  
 Tel: +1 832 456 3900 Fax: +1 832 456 3998 E-mail: sales@t-s-c.com



**FLUID END EXPENDABLES**

**SOUTHWEST**

**A-1700**

**7-1/2 x 12**

LINERS		ZIRCONIA LINERS	LINER GASKETS	PISTONS				PISTON RUBBERS
SIZE	PART NUMBER	PART NUMBER	PART NUMBER	URETHANE BONDED	RUBBER BONDED	N'DURALL BONDED	REPLACEABLE RUBBER	PART NUMBER
4 1/2"	TS-0284-44HP	TS-07326450	G-754 *	LLU-44-B15	LL-44-B15	HPW-44-B15	I-44-B15	TM-44-BR
5"	TS-0284-50HP	TS-07326500	G-742 *	LLU-50-B15	LL-50-B15	HPW-50-B15	I-50-B15	TM-50-BR
5 1/2"	TS-0284-54HP	TS-07326550	G-743 *	LLU-54-B15	LL-54-B15	HPW-54-B15	I-54-B15	TM-54-BR
5 3/4"	TS-0284-56HP	TS-07326575	G-744 *	LLU-56-B15	LL-56-B15	HPW-56-B15	I-56-B15	TM-56-BR
6"	TS-0284-60HP	TS-07326600	G-745 *	LLU-60-B15	LL-60-B15	HPW-60-B15	I-60-B15	TM-60-BR
6 1/4"	TS-0284-62HP	TS-07326625	-	LLU-62-L15	LL-62-L15	HPW-62-L15	I-62-L15	TM-62-LR
6 1/2"	TS-0284-64HP	TS-07326650	G-746 *	LLU-64-L15	LL-64-L15	HPW-64-L15	I-64-L15	TM-64-LR
6 3/4"	TS-0284-66HP	TS-07326675	G-755 *	LLU-66-L15	LL-66-L15	HPW-66-L15	I-66-L15	TM-66-LR
7"	TS-0284-70HP	TS-07326700	G-756 *	LLU-70-L15	LL-70-L15	HPW-70-L15	I-70-L15	TM-70-LR
7 1/4"	TS-0284-72Cr	TS-07326725	G-757 *	LLU-72-L15	LL-72-L15	HPW-72-L15	I-72-L15	TM-72-LR
7 1/2"	TS-0284-74Cr	TS-07326750	G-758 *	LLU-74-L15	LL-74-L15	HPW-74-L15	I-74-L15	TM-74-LR
VALVES, SEATS, SPRINGS						GASKETS		
	4 WEB DESIGN	3 WEB DESIGN	FULL OPEN (1)	FULL OPEN (2)				PART NUMBER
VALVE	TS-7-EEF	TS-202482	TS-0985M	TS-7-V1	VALVE COVER GASKET			TS-07207129
SEAT	TS-7-DDB1	TS-202039	TS-1370M	TS-7-S1	CYLINDER HEAD GASKET			-
SPRING	TS-5710-115	-	-	TS-5710-115L	WEAR PLATE GASKET			TS-20100008
INSERT (Urethane)	TS-7-WI	TS-201106	TS-7-MI	TS-7-FI	EXTENSION ROD SEAL			TS-20-100-015
INSERT (Rubber)	TS-7-WR	TS-201107	-	-	EXTENSION ROD BAFFLE			TS-204-0668
PISTON ROD & EXTENSION ROD								
ROD CLAMP	PISTON ROD STUD	PISTON NUT	THREADED TYPE PISTON ROD	CLAMP TYPE PISTON ROD	SUB ROD	THREADED TYPE EXTENSION ROD		CLAMP TYPE EXTENSION ROD
TMA14-03-08	TM-283D	TM-NUT	N/A	TM-283-C	TM-283-A	N/A		TMA14-01-06
FLUID END MODULE								
SUCTION MODULE STUDEDDED		DISCHARGE MODULE STUDEDDED		MODULE SEAL SET		STUDS & NUTS SET		
TS-8488-2S		TS-8488-1D		TMA14SW-SEALKIT		TMA14SW-STUDSET		

TSC does not warrant or represent that any of such information is accurate, or that any products listed are compatible with each other. Any deviations from the OEM products should be verified as to compatibility.

TSC Manufacturing and Supply LLC, 13788 West Road, Suite 100, Houston, Texas 77041, USA  
 Tel: +1 832 456 3900 Fax: +1 832 456 3998 E-mail: sales@t-s-c.com



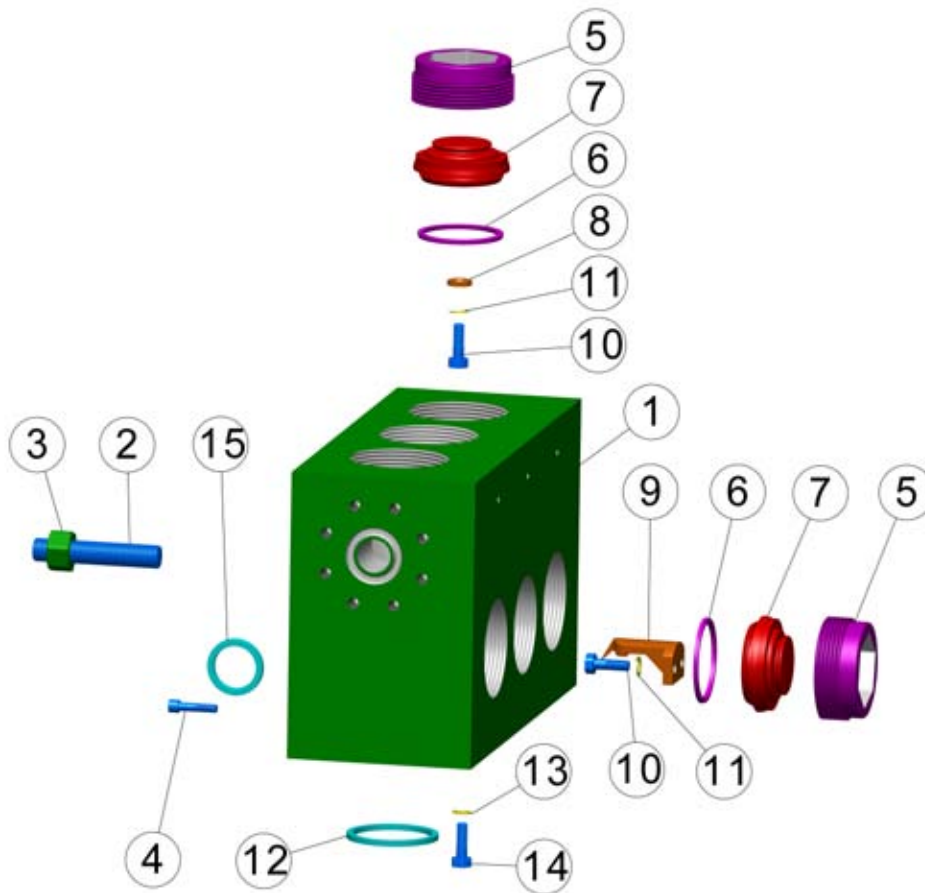
TSC MANUFACTURING AND SUPPLY, LLC.  
FLUID END MODULE & ACCESSORIES



TSC Manufacturing and Supply LLC, 13788 West Road, Suite 100, Houston, Texas 77041, USA  
Tel: +1 832 456 3900 Fax: +1 832 456 3998 E-mail: sales@t-s-c.com

FLUID END MODULE & ACCESSORIES

**TSC WFU340**  
**TSC Manufacturing and Supply, LLC.**



TSC Manufacturing and Supply LLC, 13788 West Road, Suite 100, Houston, Texas 77041, USA  
Tel: +1 832 456 3900 Fax: +1 832 456 3998 E-mail: sales@t-s-c.com

## FLUID END MODULE &amp; ACCESSORIES

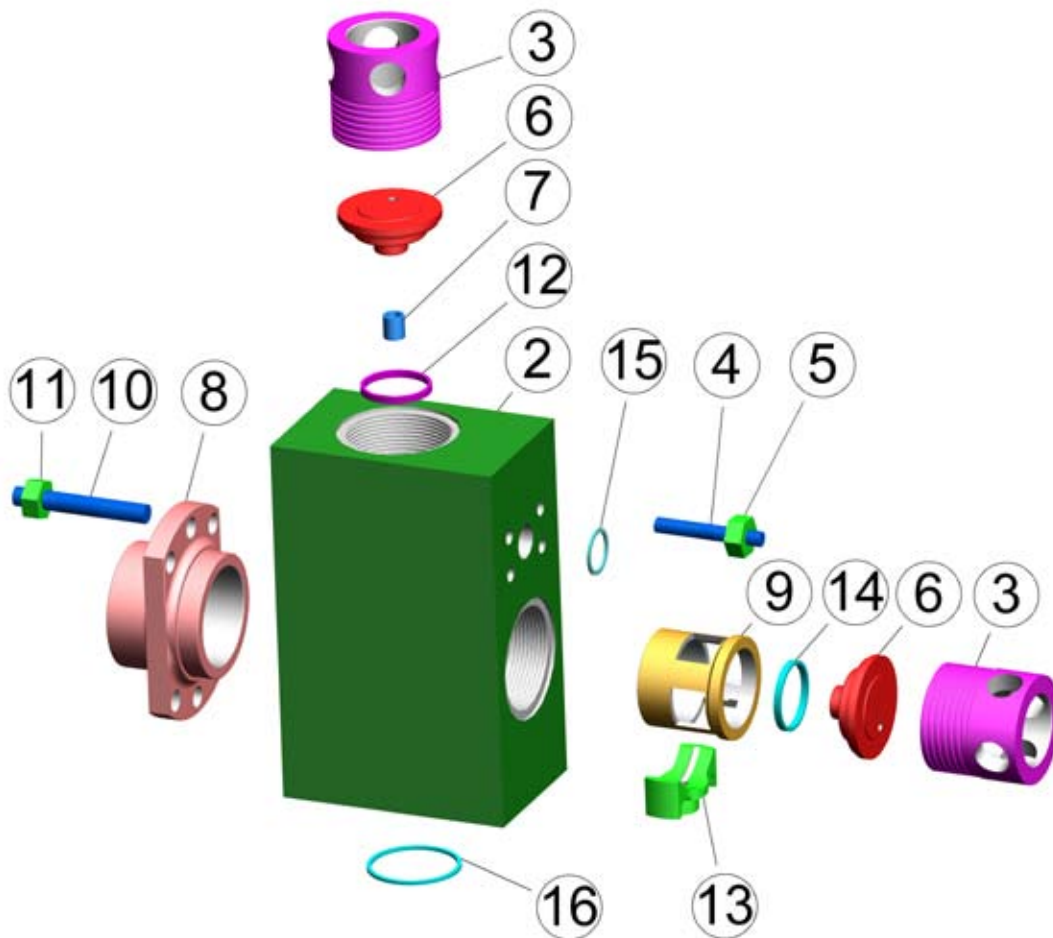
**TSC WFU340**

ITEM	PART NUMBER	DESCRIPTION	QTY/PUMP
	TS-FEM340CA	FLUID END MODULE COMPLETE ASSEMBLY (INCLUDES ITEM 1-12)	1
1	TS-171719612	CYLINDER ONLY	1
2	TS-10032367	STUD, 1-3/8"x7-1/2" FLUID CYLINDER TO FRAME	12
3	TS-6300220	NUT, 1-3/8" HEAVY HEX, FLUID CYLINDER TO FRAME	12
4	TS-7006309	SCREW, 1/2"-13x2-1/4"	4
5	TS-171826312	COVER, THREADED-TOP AND FRONT	6
6	TS-1718265	SEAL, TOP AND FRONT COVER PLATE	6
7	TS-1718256	PLATE, TOP AND FRONT COVER	6
8	TS-1718268	RETAINER, DISCHARGE SPRING	3
9	TS-1718267	BRACKET, SUCTION VALVE SPRING	3
10	TS-7000304-11	SCREW, 1/2"x1-1/4" CAP	6
11	TS-7619050	WASHER, 1/2" REG. SPRING LOCK	6
12	TS-08406001	GASKET, SUCTION MANIFOLD	3
13	TS-7619066	3/4" SPRING WASHER	10
14	TS-7000440-11	BOLT 3/4"-10UNCx2"LG	10

TSC does not warrant or represent that any of such information is accurate, or that any products listed are compatible with each other.  
Any deviations from the OEM products should be verified as to compatibility.

FLUID END MODULE & ACCESSORIES

**TSC WF400**  
**TSC Manufacturing and Supply, LLC.**



TSC Manufacturing and Supply LLC, 13788 West Road, Suite 100, Houston, Texas 77041, USA  
Tel: +1 832 456 3900 Fax: +1 832 456 3998 E-mail: sales@t-s-c.com

## FLUID END MODULE &amp; ACCESSORIES

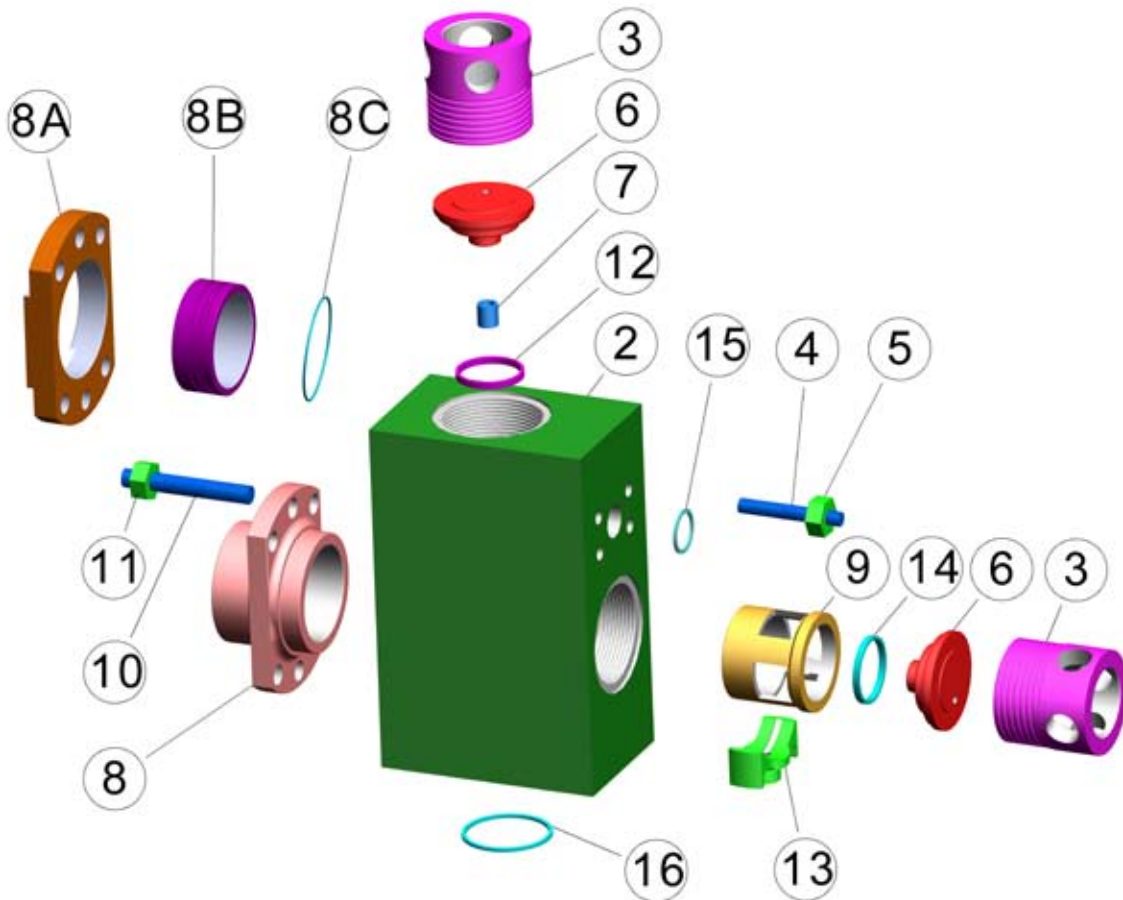
## TSC WF400

ITEM	PART NUMBER	DESCRIPTION	QTY/PUMP
	TS-FEMGDPAHCA	FLUID END MODULE COMPLETE ASSEMBLY (INCLUDES ITEM 2-18)	3
1	TS-200PJH029B	FLUID END MODULE STUDDED (INCLUDES ITEM 2,4,5,10,11)	3
2	TS-200PJH029U	FLUID END MODULE ONLY	3
3	TS-3PA587	THREADED CAP (COVER LOCK)	6
4	TS-79L142	DISCHARGE MANIFOLD STUD	12
5	TS-50B9	NUT, DISCHARGE MANIFOLD STUD	12
6	TS-200PJH147	VALVE COVER PAH	6
7	TS-2013547	PAH DISCHARGE VALVE GUIDE BUSHING	3
8	TS-1PA217	PAH LINER CLAMP	3
9	TS-200PJH205	PAH SUCTION VALVE GUIDE RETAINER	3
10	TS-79AJ2	LINER CLAMP STUD	18
11	TS-50B35	LINER CLAMP STUD NUT	36
12	TS-200PJH715	VALVE COVER GASKET (G-799)	3
13	TS-200PJH483	VALVE GUIDE, SUCTION	3
14	TS-200PJH715	GASKET, CYLINDER HEAD (G-799)	3
15	TS-25AL54	GASKET, DISCHARGE MANIFOLD	3
16	TS-25G18	GASKET, SUCTION MANIFOLD	3
17	TMPAH-STUDSET	PAH STUDS AND NUTS SET (INCLUDES 4 PCS TS-79L142, 4 PCS TS-50B9, 6 PCS TS-79AJ2, 12 PCS TS-50B35)	3
18	TMPAH-SEALKIT	PAH MODULE SEAL KIT (INCLUDES TWO G-799, ONE TS-25AL54, ONE TS-25G18)	3

TSC does not warrant or represent that any of such information is accurate, or that any products listed are compatible with each other.  
Any deviations from the OEM products should be verified as to compatibility.

FLUID END MODULE & ACCESSORIES

**TSC WFU450**  
**TSC Manufacturing and Supply, LLC.**



TSC Manufacturing and Supply LLC, 13788 West Road, Suite 100, Houston, Texas 77041, USA  
Tel: +1 832 456 3900 Fax: +1 832 456 3998 E-mail: sales@t-s-c.com

## FLUID END MODULE &amp; ACCESSORIES

## TSC WFU450

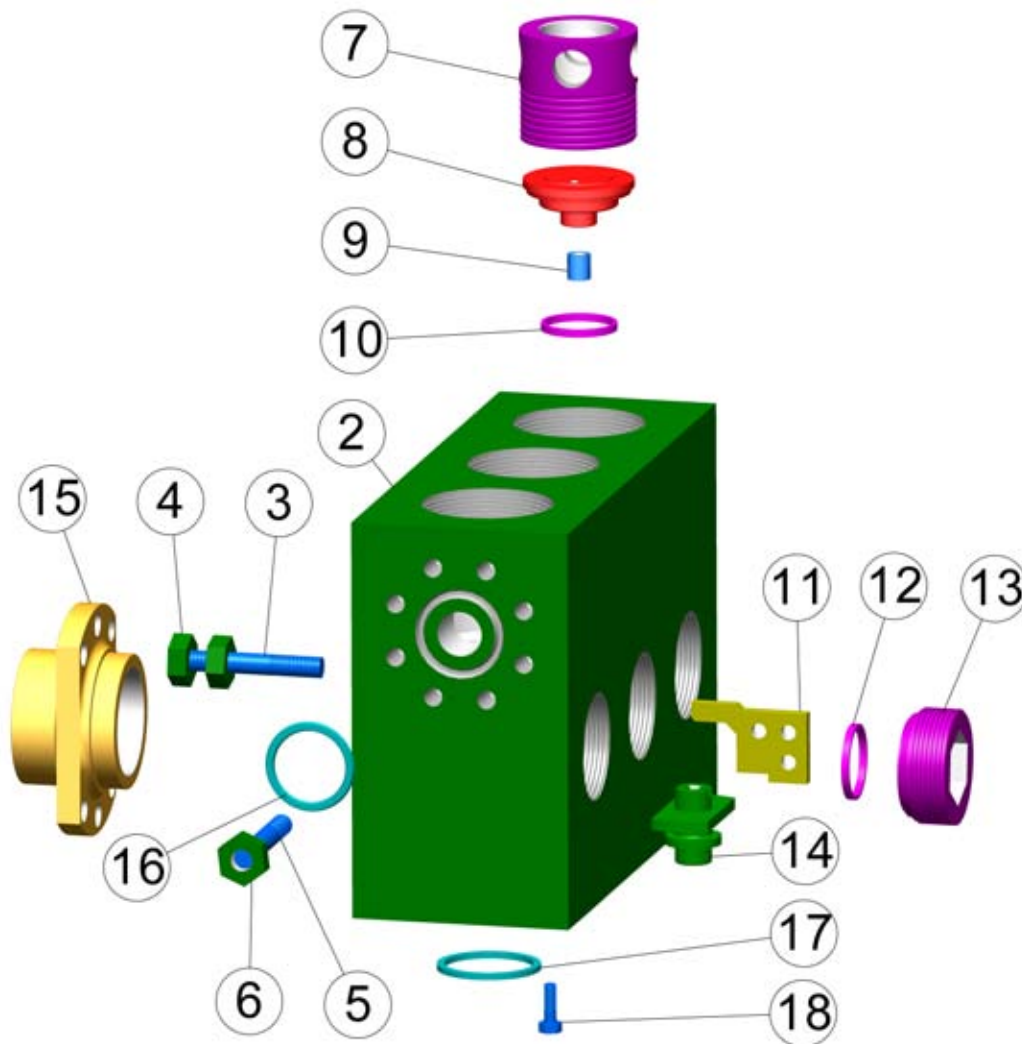
ITEM	PART NUMBER	DESCRIPTION	QTY/PUMP
	TS-FEMGDWFU45CA	FLUID END MODULE COMPLETE ASSEMBLY (INCLUDES ITEM 2-16)	3
1	TS-200PJH029BUS	FLUID END MODULE STUDED (INCLUDES ITEM 2,4,5,10,11)	3
2	TS-200PJH029BU	FLUID END MODULE ONLY	3
3	TS-3PA587	THREADED CAP (COVER LOCK)	6
4	TS-79L142	DISCHARGE MANIFOLD STUD	12
5	TS-50B9	NUT, DISCHARGE MANIFOLD STUD	12
6	TS-200PJH147	VALVE COVER PAH	6
7	TS-2013547	DISCHARGE VALVE GUIDE BUSHING	3
8	TS-1PA217	LINER CLAMP(FOR3" TO 5" LINER)	3
8A	TS-1PA217B	LINER CLAMP(FOR 5-1/2" AND 6" LINER)	3
8B	030102-105-0400A	LINER ADAPTER(FOR 5-1/2" AND 6" LINER)	3
8C	OR01-0155-355	O RING(FOR 5-1/2" AND 6" LINER)	9
9	TS-200PJH205	SUCTION VALVE GUIDE RETAINER	3
10	TS-79AJ2	LINER CLAMP STUD	18
11	TS-50B35	LINER CLAMP STUD NUT	36
12	TS-200PJH715	VALVE COVER GASKET (G-799)	3
13	TS-200PJH483	VALVE GUIDE, SUCTION	3
14	TS-200PJH715	GASKET, CYLINDER HEAD (G-799)	3
15	TS-25AL54	GASKET, DISCHARGE MANIFOLD	3
16	TS-25G18	GASKET, SUCTION MANIFOLD	3
17	TMPAH-STUDSET	STUDS AND NUTS SET (INCLUDES 4 PCS TS-79L142, 4 PCS TS-50B9, 6 PCS TS-79AJ2, 12 PCS TS-50B35)	3
18	TMPAH-SEALKIT	MODULE SEAL KIT (INCLUDES TWO G-799, ONE TS-25AL54, ONE TS-25G18)	3

TSC does not warrant or represent that any of such information is accurate, or that any products listed are compatible with each other.  
Any deviations from the OEM products should be verified as to compatibility.



FLUID END MODULE & ACCESSORIES

**TSC WWS500**  
**TSC Manufacturing and Supply, LLC.**



TSC Manufacturing and Supply LLC, 13788 West Road, Suite 100, Houston, Texas 77041, USA  
Tel: +1 832 456 3900 Fax: +1 832 456 3998 E-mail: sales@t-s-c.com

## FLUID END MODULE &amp; ACCESSORIES

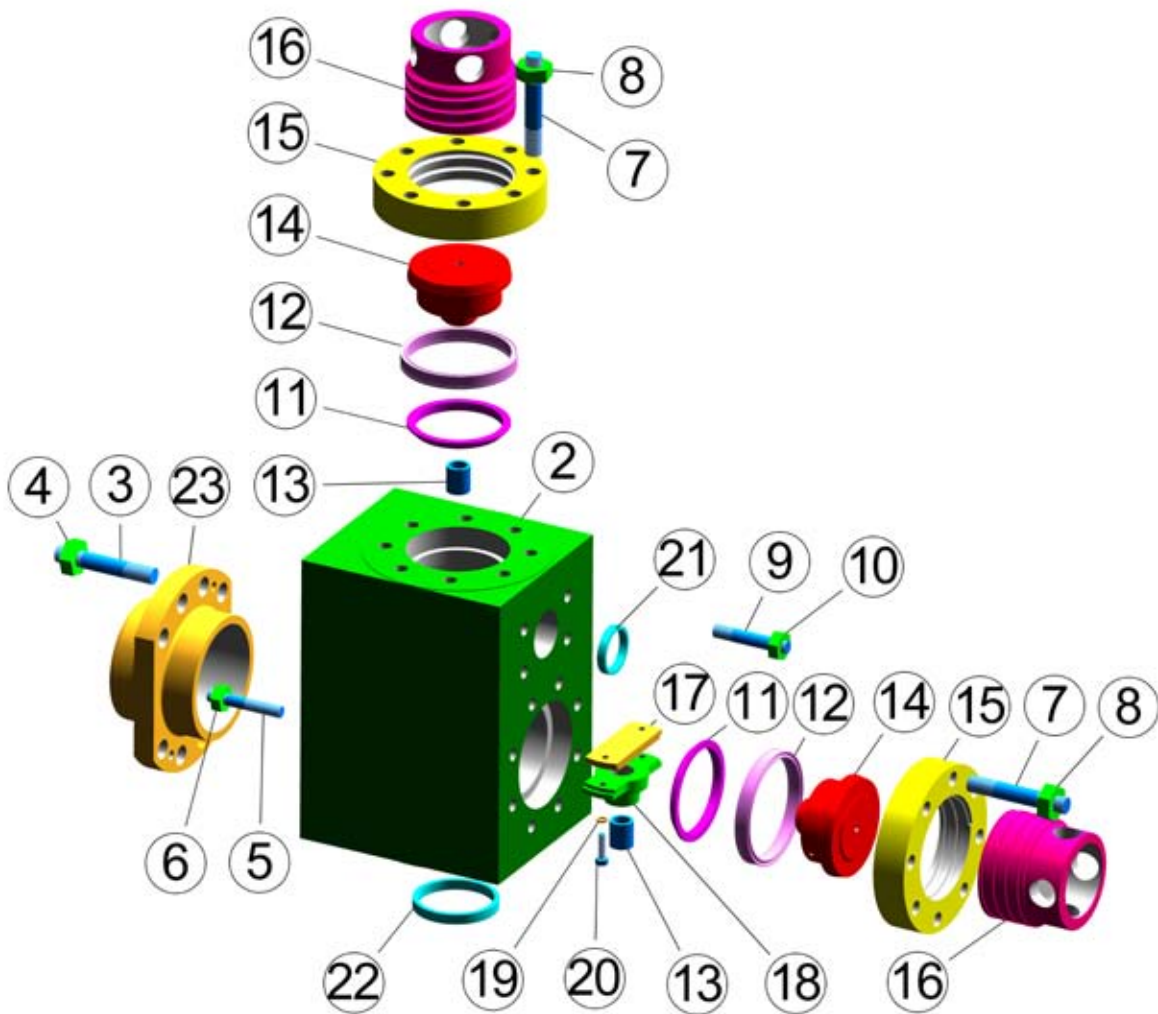
## TSC WWS500

ITEM	PART NUMBER	DESCRIPTION	QTY/PUMP
	TS-FEMWWS500CA	FLUID END MODULE COMPLETE ASSEMBLY(INCLUDES ITEM 2-18)	1
1	TS-WWS500B	FLUID END MODULE STUDED (INCLUDES ITEM 2-6)	1
2	WF032-105-05B	FLUID END MODULE ONLY	1
3	TS-79AJ2	STUD, LINER CLAMP	18
4	TS-50B35	NUT, LINER CLAMP STUD	36
5	WWS500-010-02	STUD, DISCHARGE MANIFOLD	16
6	TS-50B34	NUT, DISCHARGE MANIFOLD STUD	16
7	TS-3PA587	THREADED CAP (COVER LOCK)	3
8	TS-200PJH147	VALVE COVER PAH	3
9	TS-2013547	DISCHARGE VALVE GUIDE BUSHING	3
10	TS-200PJH715	VALVE COVER GASKET (G-799)	3
11	WF032-105-08B	SUCTION VALVE GUIDE RETAINER	3
12	TS-200PJH715	GASKET, CYLINDER HEAD (G-799)	3
13	WF032-105-06B	THREADED CAP (COVER LOCK)	3
14	WF032-105-07B	VALVE GUIDE, SUCTION	3
15	TS-1PA217	LINER CLAMP	3
16	R-27	GASKET, DISCHARGE MANIFOLD	2
17	TS-25G18	GASKET, SUCTION MANIFOLD	3
18	UBL1-312-010-0016	SCREW, SUCTION MANIFOLD	12

TSC does not warrant or represent that any of such information is accurate, or that any products listed are compatible with each other.  
Any deviations from the OEM products should be verified as to compatibility.

FLUID END MODULE & ACCESSORIES

**TSC WF700**  
**TSC Manufacturing and Supply, LLC.**



TSC Manufacturing and Supply LLC, 13788 West Road, Suite 100, Houston, Texas 77041, USA  
 Tel: +1 832 456 3900 Fax: +1 832 456 3998 E-mail: sales@t-s-c.com

## FLUID END MODULE &amp; ACCESSORIES

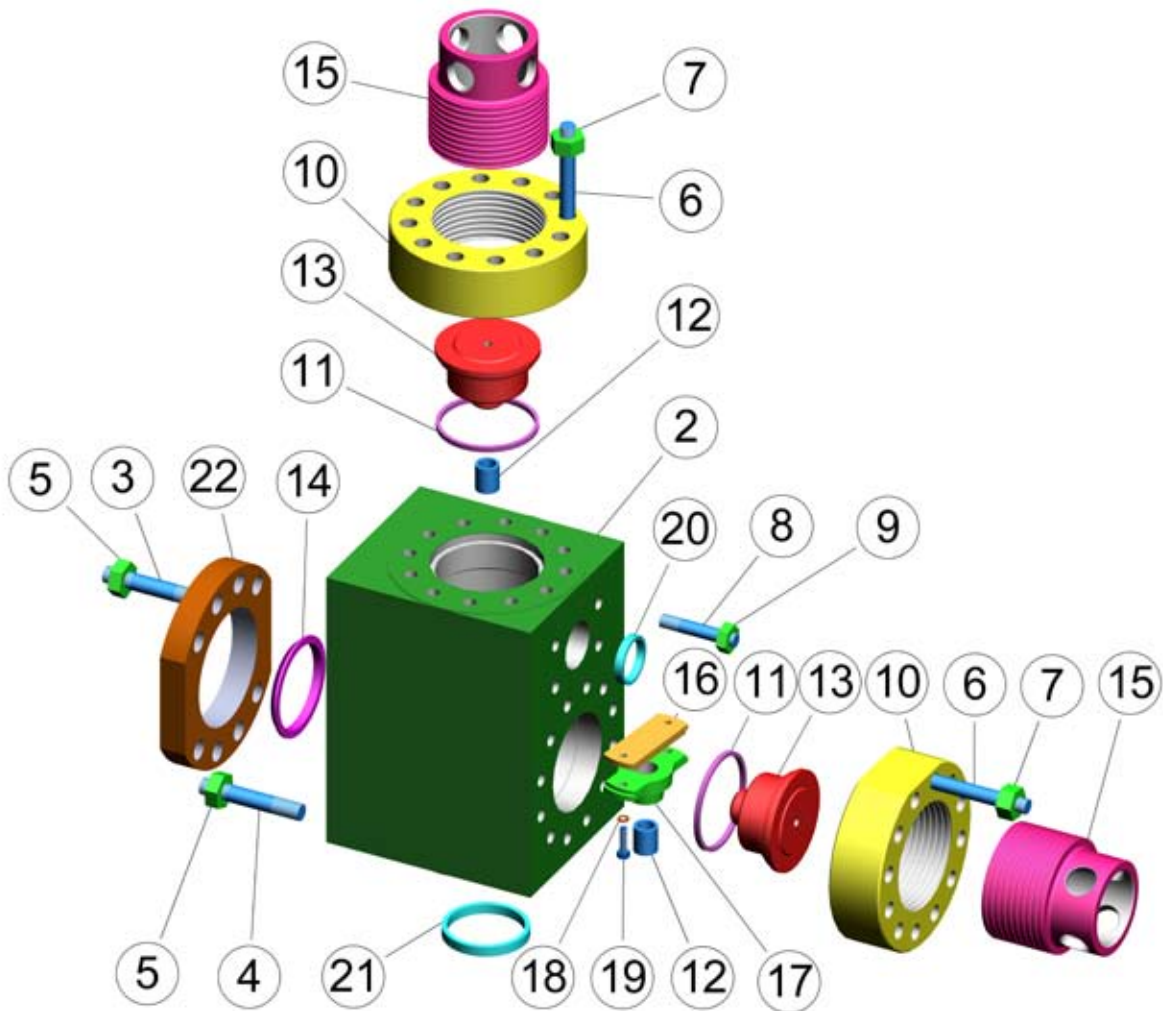
## TSC WF700

ITEM	PART NUMBER	DESCRIPTION	QTY/PUMP
	TS-FEMPZ789CA	FLUID END MODULE COMPLETE ASSEMBLY (INCLUDES ITEM 2-24)	
1	TS-205PZL029D	FLUID END MODULE STUDED (INCLUDES ITEM 2-10)	3
2	TS-205-6651-18	FLUID END MODULE ONLY	3
3	TS-79L188	STUD, FRAME & LINER CLAMP	24
4	TS-50B36	NUT (FOR ABOVE)	48
5	TS-79L73	STUD, FRAME	12
6	TS-50AQ36	NUT (FOR ABOVE)	12
7	TS-79AL6	STUD, VALVE COVER	48
8	TS-50B34	NUT (FOR ABOVE)	48
9	TS-202PZL110	STUD, DISCHARGE MANIFOLD	12
10	TS-50B34	NUT (FOR ABOVE)	12
11	TS-2011861	RING, VALVE COVER GASKET EXPANDER	6
12	TS-2011862	GASKET, VALVE COVER (G-749)	6
13	TS-2007674	BUSHING, VALVE GUIDE	6
14	TS-2011860	COVER, VALVE	6
15	TS-2011699	RING, VALVE COVER THREADED	6
16	TS-2011857	CAP, VALVE COVER LOCK	6
17	TS-2011701	PLATE, RETAINER	3
18	TS-2011700	GUIDE, VALVE SUCTION	3
19	TS-95W2	WASHER, LOCK 1/2" 316SS	6
20	TS-655EE06S	SCREW 1/2" x 1-3/4" 316SS HX HD C/S	6
21	TS-25AL35	GASKET, DISCHARGE MANIFOLD	3
22	TS-25G41	GASKET, SUCTION MANIFOLD	3
23	TS-1PV14	CLAMP, LINER	3
24	TS-2011706	ASSEMBLY, LOWER VALVE GUIDE (INCLUDES ITEM 13, 17-20)	3
25	TMPZ09-STUDSET	PZ-7/8/9 STUDS AND NUTS SET (INCLUDES 8 PCS TS-79L188, 16 PCS TS-50B36, 4 PCS TS-79L73, 4 PCS TS-50AQ30, 16 PCS TS-79AL6, 4 PCS TS-202PZL110, 20 PCS TS-50B34)	3
26	TMPZ09-SEALKIT	PAH MODULE SEAL KIT (INCLUDES TWO G-749, ONE TS-25AL35, ONE TS-25G41)	3

TSC does not warrant or represent that any of such information is accurate, or that any products listed are compatible with each other.  
Any deviations from the OEM products should be verified as to compatibility.

FLUID END MODULE & ACCESSORIES

**TSC WF1300B**  
**TSC Manufacturing and Supply, LLC.**



TSC Manufacturing and Supply LLC, 13788 West Road, Suite 100, Houston, Texas 77041, USA  
Tel: +1 832 456 3900 Fax: +1 832 456 3998 E-mail: sales@t-s-c.com

## FLUID END MODULE &amp; ACCESSORIES

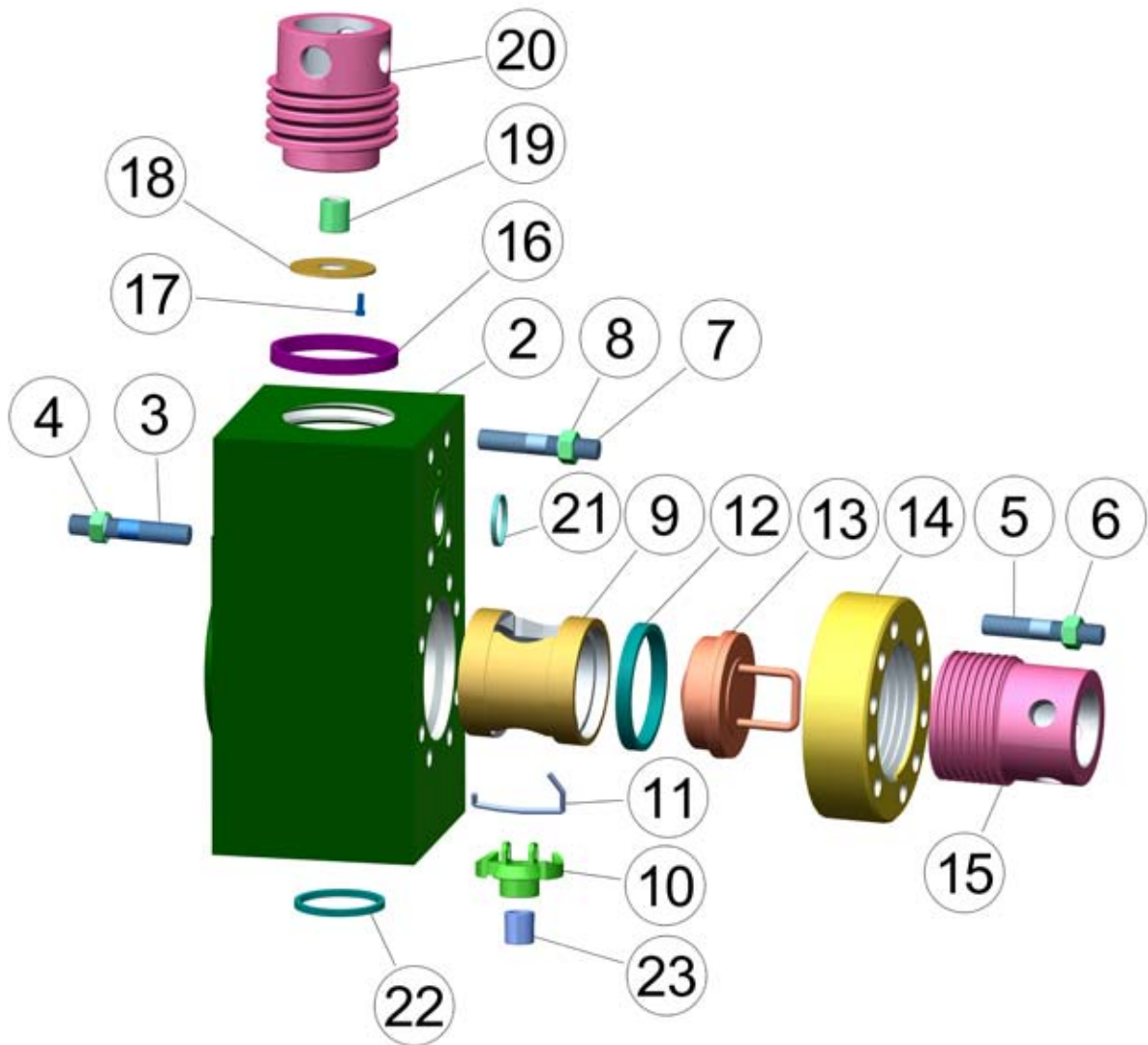
## TSC WF1300B

ITEM	PART NUMBER	DESCRIPTION	QTY/PUMP
		FLUID END MODULE COMPLETE ASSEMBLY (INCLUDES ITEM 2-13, 15, 20-23)	3
1	TS-202PZL029B	FLUID END MODULE STUDED (INCLUDES ITEM 2-9)	3
2	TS-202-6651-20	FLUID END MODULE ONLY	3
3	TS-201PZL110	STUD, FRAME & LINER CLAMP LONG	24
4	TS-205PZL110	STUD, SHORT	24
5	TS-50B36	NUT, FRAME & LINER CLAMP STUD	72
6	TS-204PZL110	STUD	72
7	TS-50B34	NUT (FOR ABOVE)	72
8	TS-202PZL110	STUD, DISCHARGE MANIFOLD	12
9	TS-50B34	NUT (FOR ABOVE STUD) (SAME AS ITEM 6)	12
10	TS-200PL387	RING, VALVE COVER THREADED	6
11	TS-204PZL715	GASKET, VALVE COVER (G-798Z)	6
12	TS-2007674	BUSHING, VALVE GUIDE	6
13	TS-200PZL147	COVER, VALVE	6
14	TS-25AL37	LINER GASKET (G-692)	3
15	TS-200PZL587	CAP, VALVE COVER LOCK	6
16	TS-2011701	PLATE, RETAINER	3
17	TS-200PZL483	GUIDE, VALVE SUCTION	3
18	TS-95W2	WASHER, LOCK 1/2" 316SS	6
19	TS-655EE065	SCREW 1/2" x 1-3/4" 316SS HX HD C/S	6
20	TS-25AL35	GASKET, DISCHARGE MANIFOLD	3
21	TS-25G41	GASKET, SUCTION MANIFOLD	3
22	TS-200PZL455	CLAMP, LINER	3
23	TS-200PZL483A	ASSEMBLY, LOWER VALVE GUIDE(INCLUDES ITEM 12,16,17,18,19)	3
24	TMPZ11-STUDSET	PZ-10/11 STUDS AND NUTS SET (INCLUDES 8 PCS TS-201PZL110, 8 PCS TS-205PZL110, 24 PCS TS-50B36, 24 PCS TS-204PZL110, 28 PCS TS-50B34, 4 PCS TS- 202PZL110)	3
25	TMPZ11-SEALKIT	PZ-10/11 MODULE SEAL KIT (INCLUDES TWO G-798Z, ONE TS-25AL35, ONE TS-25G41)	3

TSC does not warrant or represent that any of such information is accurate, or that any products listed are compatible with each other.  
Any deviations from the OEM products should be verified as to compatibility.

FLUID END MODULE & ACCESSORIES

**TSC WF1300C**  
**TSC Manufacturing and Supply, LLC.**



TSC Manufacturing and Supply LLC, 13788 West Road, Suite 100, Houston, Texas 77041, USA  
Tel: +1 832 456 3900 Fax: +1 832 456 3998 E-mail: sales@t-s-c.com

## FLUID END MODULE &amp; ACCESSORIES

## TSC WF1300C

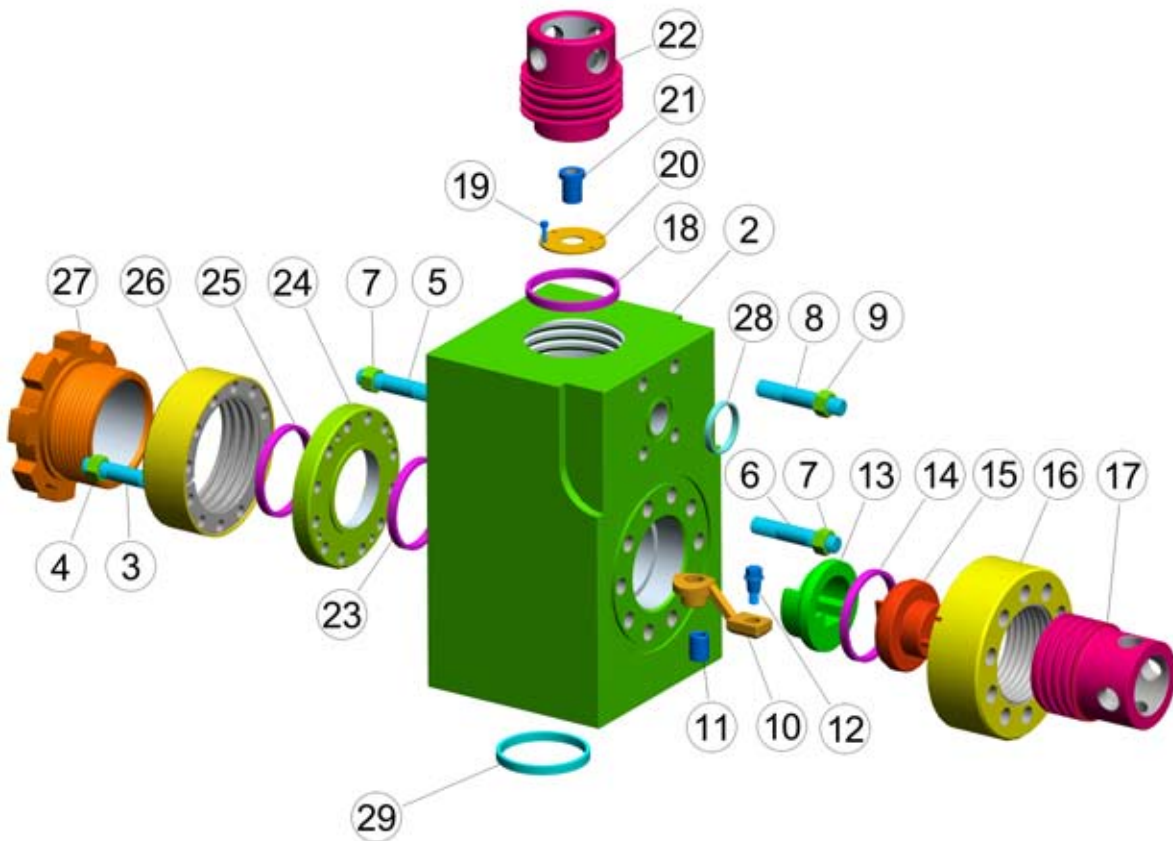
ITEM	PART NUMBER	DESCRIPTION	QTY/PUMP
	TS-EMSFEF1000CA	FLUID END MODULE COMPLETE ASSEMBLY (INCLUDES ITEM 2-23)	3
1	TS-6999-0086-02	FLUID END MODULE STUDED (INCLUDES ITEM 2-8)	3
2	TS-6999-0087-02	FLUID END MODULE (UNSTUDED)	3
3	TS-7507-2205-00	STUD FRAME	18
4	TS-7601-0630-17	NUT (FOR ABOVE)	18
5	TS-7507-2150-00	STUD, THREADED RING	30
6	TS-7601-0630-28	NUT (FOR ABOVE)	30
7	TS-7507-2108-00	STUD, DISCHARGE MANIFOLD	12
8	TS-7601-0630-24	NUT (FOR ABOVE)	12
9	TS-6319-0026-00	CAGE, LINER	3
10	TS-6319-0087-00	GUIDE, LOWER VALVE (WITH BUSHING)	3
11	TS-6319-0089-00	CLIP, LOCKING (FOR LOWER VALVE GUIDE)	3
12	TS-7602-2200-32	GASKET, LINER/ CYLINDER HEAD (G-282)	6
13	TS-6319-0031-00	PLUG, CYLINDER HEAD	3
14	TS-6999-0089-00	RING, THREADED CYLINDER HEAD	3
15	TS-6319-0090-00	CAP, THREADED CYLINDER HEAD	3
16	TS-6319-0076-00	GASKET, VALVE COVER (G-740)	3
17	TS-7501-0051-00	SCREW, RETAINER (UPPER)	12
18	TS-6397-0603-00	RETAINER PLATE (UPPER)	3
19	TS-6397-0575-00	GUIDE, UPPER VALVE	3
20	TS-6319-0027-00	COVER, VALVE POT	3
21	TS-7602-1610-46	GASKET, DISCHARGE MANIFOLD	3
22	TS-7602-1600-61	GASKET, SUCTION MANIFOLD	3
23	TS-6316-0096-00	BUSHING, LOWER VALVE GUIDE	3
24	TMF10-STUDSET	F-800/1000 STUDS AND NUTS SET (INCLUDES 6 PCS TS-7507-2205-00, 6 PCS TS-7601-0630-17, 10 PCS TS-7507-2150-00, 10 PCS TS-7601-0630-28, 4 PCS TS-7507-2108-00, 4 PCS TS-7601-0630-24)	3
25	TMF10-SEALKIT	F-800/1000 MODULE SEAL KIT (INCLUDES ONE G-282, ONE G-740, ONE TS-7602-1610-46, ONE TS- 7602-1600-61)	3

TSC does not warrant or represent that any of such information is accurate, or that any products listed are compatible with each other.  
Any deviations from the OEM products should be verified as to compatibility.



FLUID END MODULE & ACCESSORIES

**TSC WF1600**  
**TSC Manufacturing and Supply, LLC.**



TSC Manufacturing and Supply LLC, 13788 West Road, Suite 100, Houston, Texas 77041, USA  
Tel: +1 832 456 3900 Fax: +1 832 456 3998 E-mail: sales@t-s-c.com

## FLUID END MODULE &amp; ACCESSORIES

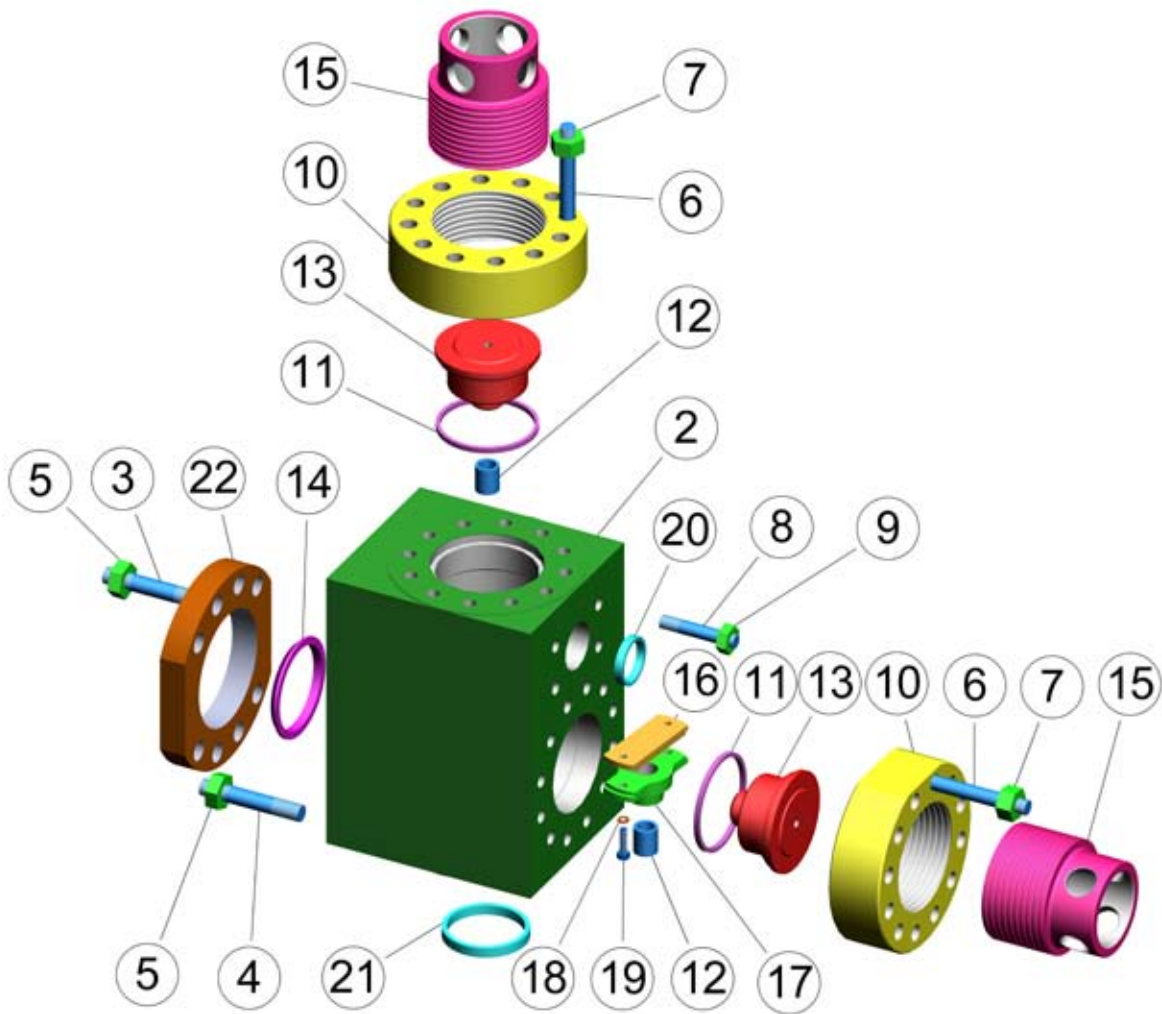
## TSC WF1600

ITEM	PART NUMBER	DESCRIPTION	QTY/PUMP
	TS-6316-0375-00	FLUID END MODULE COMPLETE ASSEMBLY (INCLUDES ITEM 2-24, 26- 29)	3
1	TS-6316-0357-00	FLUID END MODULE STUDDED (INCLUDES ITEM 2-9)	3
2	TS-6316-0356-00	FLUID END MODULE ONLY (UNSTUDED)	3
3	TS-7507-2013-00	STUD, MODULE TO LINER CLAMP	36
4	TS-7601-0610-18	LINER CLAMP STUD NUT	36
5	TS-7507-2201-00	POWER FRAME STUD	18
6	TS-7507-2210-00	STUD, MODULE TO CYLINDER	30
7	TS-7601-0630-17	NUT (FOR ABOVE)	48
8	TS-7507-2108-00	STUD, MODULE TO DISC. MANIFOLD	12
9	TS-7601-0630-24	NUT (FOR ABOVE)	12
10	TS-6316-0354-00	GUIDE, LOWER VALVE (WITH BUSHING)	3
11	TS-6316-0096-00	BUSHING, LOWER VALVE GUIDE	3
12	TS-6316-0360-00	LOCKBOLT, LOWER VALVE GUIDE	3
13	TS-6316-0363-00	ALIGNMENT RING	3
14	TS-6316-0369-00	GASKET, HEAD SEAL (G-801)	3
15	TS-6316-0364-00	PLUG, CYLINDER HEAD	3
16	TS-6316-0361-00	RING, THREADED CYLINDER HEAD	3
17	TS-6316-0362-00	CAP, THREADED CYLINDER HEAD	3
18	TS-6316-0092-00	GASKET, VALVE COVER (G-741)	3
19	TS-7501-0051-00	SCREW, RETAINER (UPPER)	12
20	TS-6397-0603-00	PLATE, RETAINER (UPPER)	3
21	TS-6397-0575-00	GUIDE, UPPER VALVE	3
22	TS-6316-0039-00	COVER, VALVE POT	3
23	TS-6316-0373-00	GASKET, WEAR PLATE (G-800)	3
24	TS-6316-0365-00	PLATE, WEAR	3
25	TS-6316-0373-00	GASKET, LINER (G-800)	3
26	TS-6316-0366-00	RING, LINER THREADED	3
27	TS-6316-0367-00	LINER LOCK	3
28	TS-7602-1600-25	GASKET, DISCHARGE MANIFOLD	3
29	TS-7602-1600-61	GASKET, SUCTION MANIFOLD	3
30	TMFB6-STUDSET	FB-1300/1600 STUDS AND NUTS SET (INCLUDES 12 PCS TS-7507-2013-00, 12 PCS TS-7601-0610-18, 6 PCS TS-7507-2201-00, 6 PCS TS-7507-2210-00, 16 PCS TS-7601- 0630-17, 4 PCS TS-7507-2108-00, 4 PCS TS-7601-0630-24)	3

TSC does not warrant or represent that any of such information is accurate, or that any products listed are compatible with each other.  
Any deviations from the OEM products should be verified as to compatibility.

FLUID END MODULE & ACCESSORIES

**TSC WF1600L**  
**TSC Manufacturing and Supply, LLC.**



TSC Manufacturing and Supply LLC, 13788 West Road, Suite 100, Houston, Texas 77041, USA  
Tel: +1 832 456 3900 Fax: +1 832 456 3998 E-mail: sales@t-s-c.com

## FLUID END MODULE &amp; ACCESSORIES

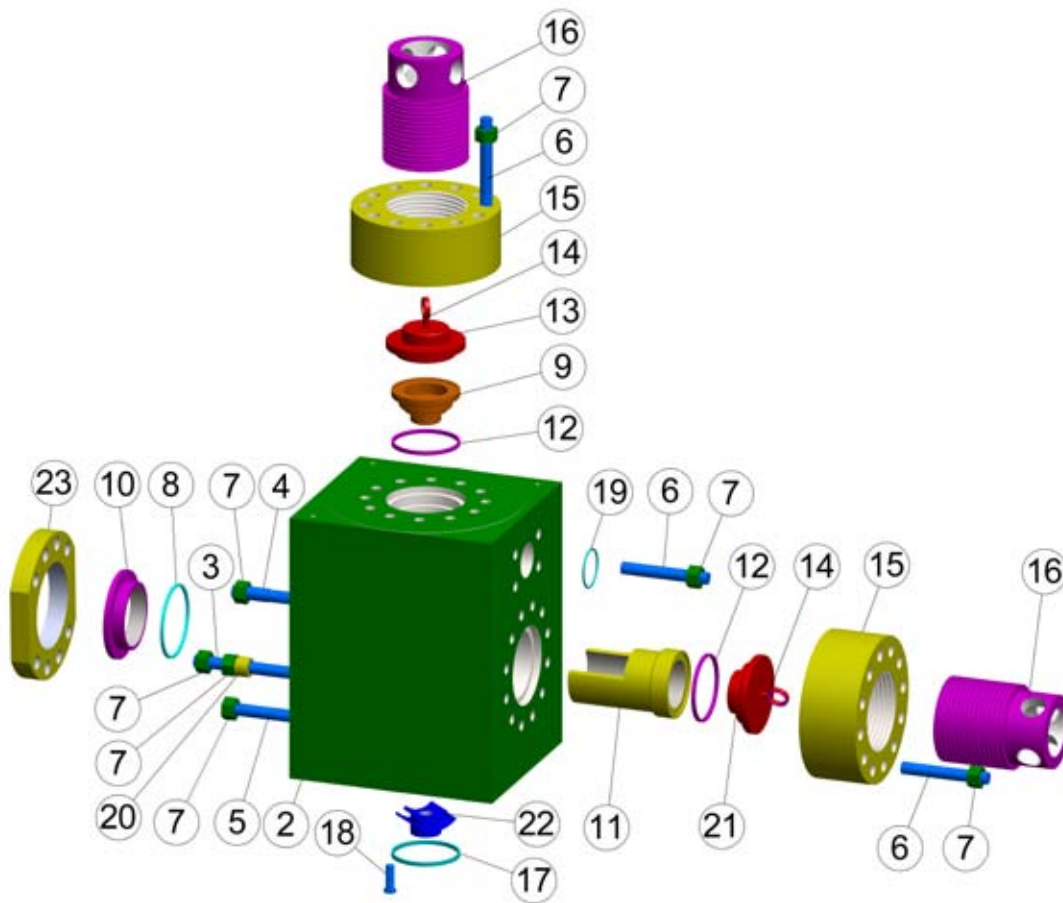
## TSC WF1600L

ITEM	PART NUMBER	DESCRIPTION	QTY/PUMP
		FLUID END MODULE COMPLETE ASSEMBLY (INCLUDES ITEM 2-13, 15, 20-23)	3
1	TS-202PZL029B	FLUID END MODULE STUDED (INCLUDES ITEM 2-9)	3
2	TS-202-6651-20	FLUID END MODULE ONLY	3
3	TS-201PZL110	STUD, FRAME & LINER CLAMP LONG	24
4	TS-205PZL110	STUD, SHORT	24
5	TS-50B36	NUT, FRAME & LINER CLAMP STUD	72
6	TS-204PZL110	STUD	72
7	TS-50B34	NUT (FOR ABOVE)	72
8	TS-202PZL110	STUD, DISCHARGE MANIFOLD	12
9	TS-50B34	NUT (FOR ABOVE STUD) (SAME AS ITEM 6)	12
10	TS-200PL387	RING, VALVE COVER THREADED	6
11	TS-204PZL715	GASKET, VALVE COVER (G-798Z)	6
12	TS-2007674	BUSHING, VALVE GUIDE	6
13	TS-200PZL147	COVER, VALVE	6
14	TS-25AL37	LINER GASKET (G-692)	3
15	TS-200PZL587	CAP, VALVE COVER LOCK	6
16	TS-2011701	PLATE, RETAINER	3
17	TS-200PZL483	GUIDE, VALVE SUCTION	3
18	TS-95W2	WASHER, LOCK 1/2" 316SS	6
19	TS-655EE065	SCREW 1/2" x 1-3/4" 316SS HX HD C/S	6
20	TS-25AL35	GASKET, DISCHARGE MANIFOLD	3
21	TS-25G41	GASKET, SUCTION MANIFOLD	3
22	TS-200PZL455	CLAMP, LINER	3
23	TS-200PZL483A	ASSEMBLY, LOWER VALVE GUIDE(INCLUDES ITEM 12,16,17,18,19)	3
24	TMPZ11-STUDSET	PZ-10/11 STUDS AND NUTS SET (INCLUDES 8 PCS TS-201PZL110, 8 PCS TS-205PZL110, 24 PCS TS-50B36, 24 PCS TS-204PZL110, 28 PCS TS-50B34, 4 PCS TS- 202PZL110)	3

TSC does not warrant or represent that any of such information is accurate, or that any products listed are compatible with each other.  
Any deviations from the OEM products should be verified as to compatibility.

FLUID END MODULE & ACCESSORIES

**TSC WF1600LH (7500 PSI)**  
**TSC Manufacturing and Supply, LLC.**



TSC Manufacturing and Supply LLC, 13788 West Road, Suite 100, Houston, Texas 77041, USA  
Tel: +1 832 456 3900 Fax: +1 832 456 3998 E-mail: sales@t-s-c.com

## FLUID END MODULE &amp; ACCESSORIES

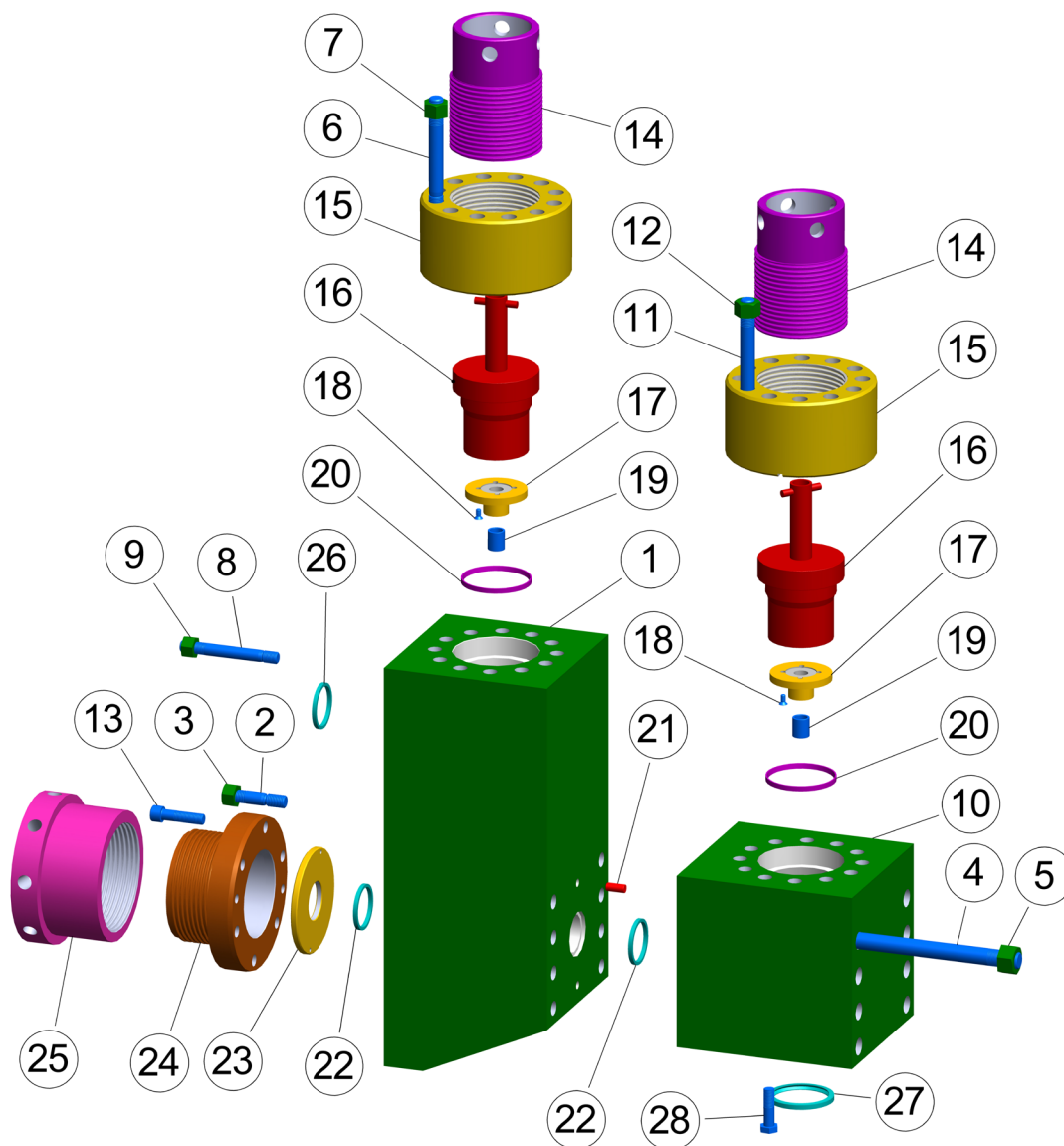
## TSC WF1600LH (7500 PSI)

ITEM	PART NUMBER	DESCRIPTION	QTY/PUMP
		FLUID END MODULE COMPLETE ASSEMBLY (INCLUDES ITEM 2-23)	3
1	TS-300PZL2039OE	FLUID END MODULE STUDED (INCLUDES ITEM 2-7)	3
2	TS-300PZL029	FLUID END MODULE ONLY	3
3	TS-302PZL110OE	STUD, LINER CLAMP & DISCHARGE MANIFOLD	48
4	TS-300PZL110OE	STUD, FLUID CYLINDER TO FRAME ALIGNMENT (UPPER)	6
5	TS-303PZL110OE	STUD, FLUID CYLINDER TO FRAME (LOWER)	6
6	TS-301PZL110OE	STUD, THREADED RING	72
7	TS-50B36	NUT (FOR ABOVE)	168
8	TS-316PZL316	SEAL, WEAR PLATE	3
9	TS-302PZL483	GUIDE, VALVE (UPPER)	3
10	TS-301PZL234	WEAR PLATE	3
11	TS-301PZL205	RETAINER, VALVE GUIDE	3
12	TS-309PZL316	SEAL, CYLINDER HEAD & VALVE COVER	6
13	TS-302PZL147	COVER, VALVE (UPPER)	3
14	TS-15P27	EYE BOLT	6
15	TS-300PZL387	RING, THREADED	6
16	TS-300PZL587	COVER LOCK	6
17	TS-25G41	GASKET, SUCTION MANIFOLD	3
18	TS-UBL1-312-010-0018	SCREW, SUCTION MANIFOLD	24
19	TS-56000375	GASKET, DISCHARGE MANIFOLD	3
20	TS-300PZL229	BUSHING	12
21	TS-303PZL147	COVER, VALVE (LOWER)	3
22	TS-303PZL483	GUIDE, VALVE (LOWER)	3
23	TS-300PZL455	LINER CLAMP	3
24	TMPZ11HP-STUDSSET	PZ-11 HP STUDS AND NUTS SET (INCLUDES 12 PCS TS-302PZL110, 2 PCS TS-300PZL110, 2 PCS TS-303PZL110, 56 PCS TS-50B36, 28 PCS TS-302PZL110)	3
25	TMPZ11HP-SEALKIT	PZ-11 HP MODULE SEAL KIT (INCLUDES TWO TS-309PZL316, ONE TS-303PZL316, ONE TS-25G41, ONE TS56000375)	3

TSC does not warrant or represent that any of such information is accurate, or that any products listed are compatible with each other.  
Any deviations from the OEM products should be verified as to compatibility.

**FLUID END MODULE & ACCESSORIES**

**TSC WF1600BH (7500 PSI WORKING PRESSURE)**  
**TSC Manufacturing and Supply, LLC.**



TSC Manufacturing and Supply LLC, 13788 West Road, Suite 100, Houston, Texas 77041, USA  
 Tel: +1 832 456 3900 Fax: +1 832 456 3998 E-mail: sales@t-s-c.com

## FLUID END MODULE & ACCESSORIES

### TSC WF1600BH (7500 PSI WORKING PRESSURE)

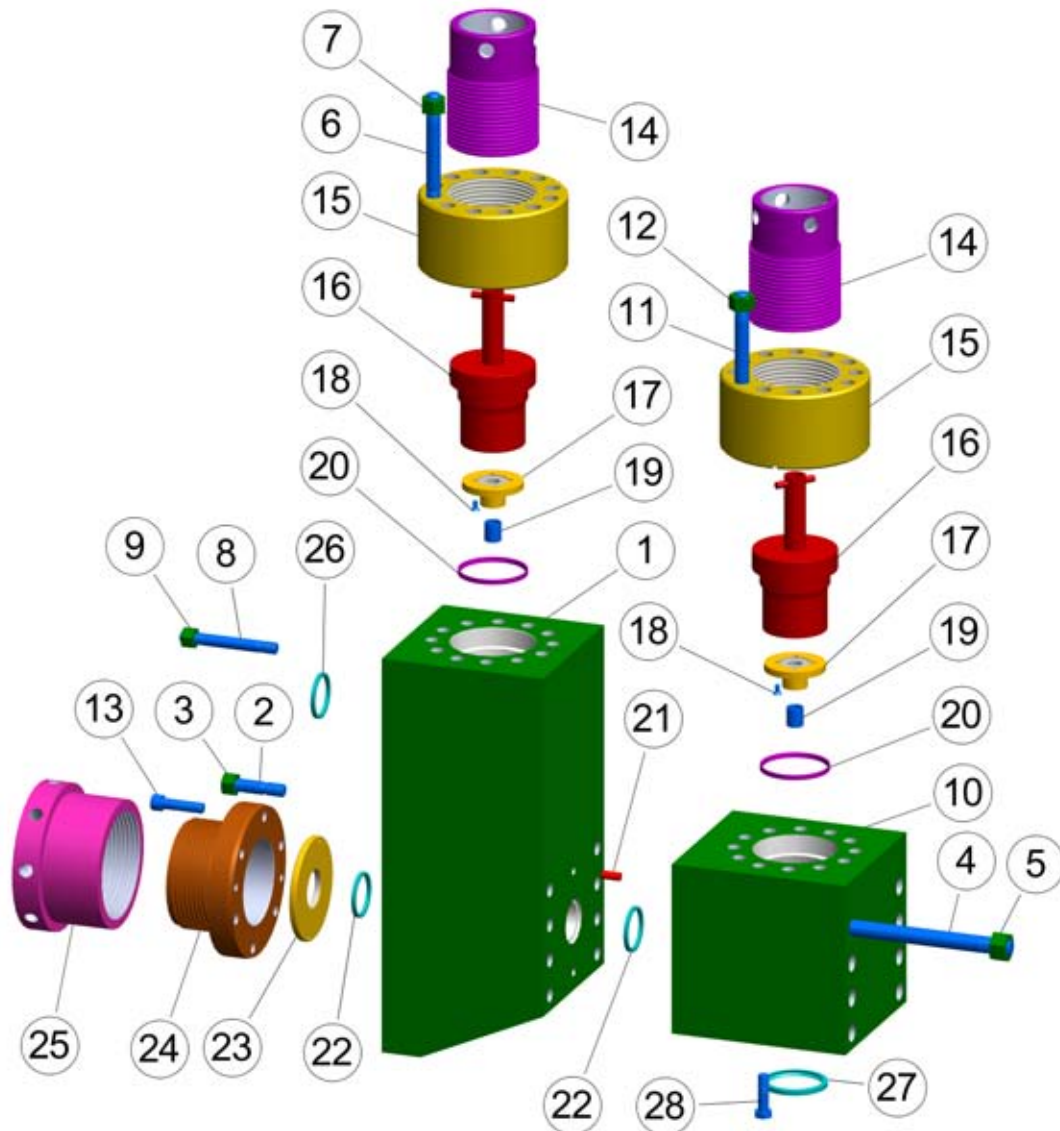
ITEM	PART NUMBER	DESCRIPTION	QTY/PUMP
	TS-80704032OE	FLUID END MODULE COMPLETE ASSEMBLY	3
1	TS-80704000	MODULE, DISCHARGE ONLY	3
2	TS-NAT12P160PFSSOE	STUD, POWER FRAME	30
3	TS-NAT8P80TRSN	NUT, POWER FRAME STUD	30
4	TS-80704002	STUD, DISCHARGE TO SUCTION MODULE	24
5	TS-PEP55	NUT, DISCHARGE TO SUCTION STUD	24
6	TS-80700014	STUD, THREADED RING	36
7	TS-6300240	NUT, THREADED RING STUD	36
8	TS-IDT800DMSOE	STUD, DISCHARGE MANIFOLD	12
9	TS-IDT800TRSN	NUT, DISCHARGE MANIFOLD STUD	12
10	TS-80704001	MODULE, SUCTION ONLY	3
11	TS-80700014	STUD, THREADED RING	36
12	TS-6300240	NUT, THREADED RING STUD	36
13	TS-PEP75	STUD, LINER BUSHING	18
14	TS-80704004	CAP, THREAD	6
15	TS-80704003	RING, THREAD	6
16	TS-80704005	VALVE COVER	6
17	TS-12PVGASW	VALVE GUIDE	6
18	TS-7007303	CAP SCREW, VALVE GUIDE	12
19	TS-PZ789VGI	BUSHING, VALVE GUIDE	6
20	TS-SWP129	SEAL, VALVE COVER	6
21	TS-6511416	PIN, DOWEL	6
22	TS-1290344	GASKET, WEAR PLATE AND LINER	6
23	TS-PP602160SW	WEAR LPATE	3
24	TS-12PLASW	FLANGE, LINER RETAINER (LINER BUSHING)	3
25	TS-12PLANSW	NUT, LINER RETAINER	3
26	TS-99609235	SEAL, DISCHARGE MANIFOLD	3
27	TS-1540851	GASKET, SUCTION MANIFOLD	3
28	TS-700048511	CAP SCREW, SUCTION MANIFOLD	24

TSC does not warrant or represent that any of such information is accurate, or that any products listed are compatible with each other.  
Any deviations from the OEM products should be verified as to compatibility.



FLUID END MODULE & ACCESSORIES

**TSC WF2000 (7500 PSI WORKING PRESSURE)**  
**TSC Manufacturing and Supply, LLC.**



TSC Manufacturing and Supply LLC, 13788 West Road, Suite 100, Houston, Texas 77041, USA  
Tel: +1 832 456 3900 Fax: +1 832 456 3998 E-mail: sales@t-s-c.com

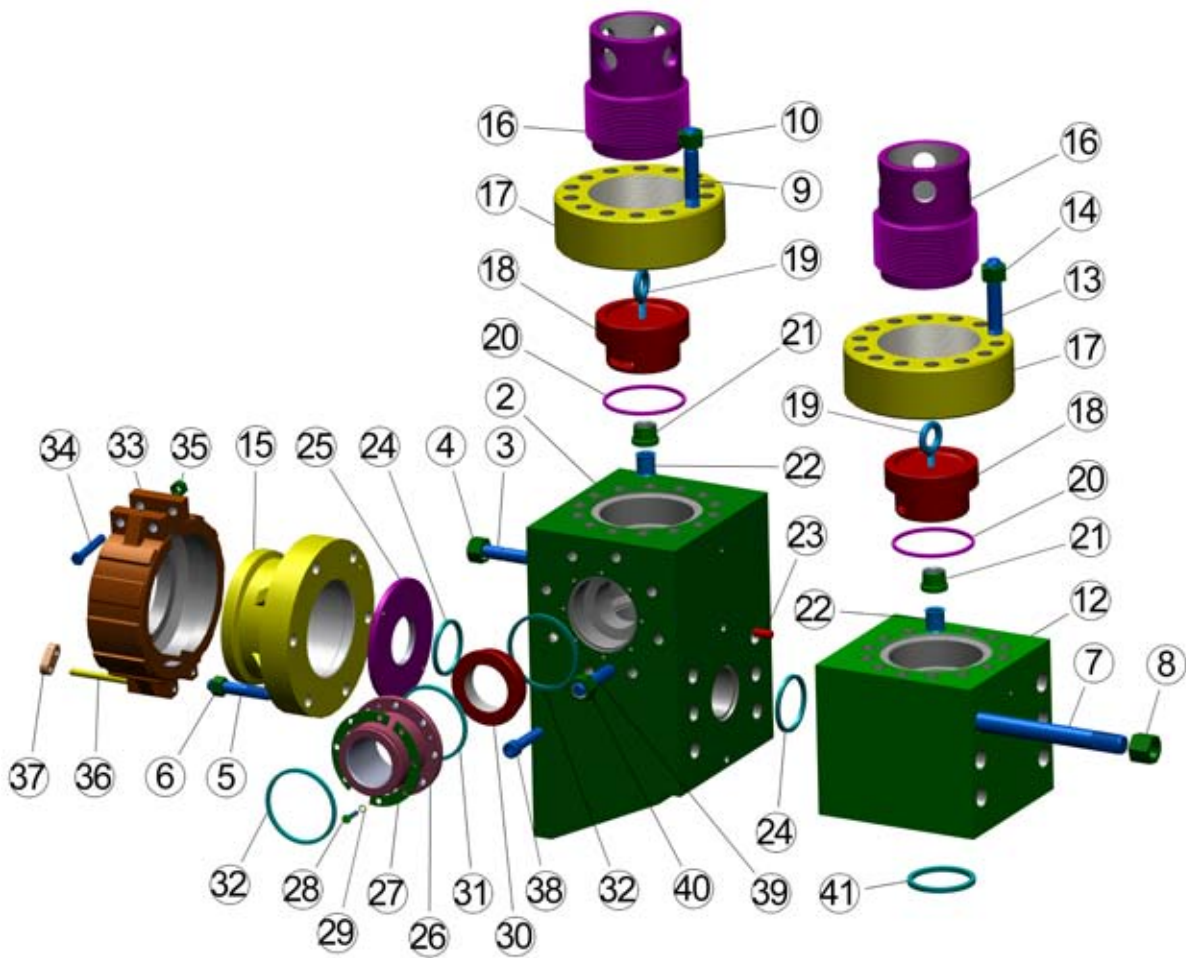
**FLUID END MODULE & ACCESSORIES****TSC WF2000 (7500 PSI WORKING PRESSURE)**

ITEM	PART NUMBER	DESCRIPTION	QTY/PUMP
	TS-80704032OE	FLUID END MODULE COMPLETE ASSEMBLY	3
1	TS-80704000	MODULE, DISCHARGE ONLY	3
2	TS-NAT12P160PFSOE	STUD, POWER FRAME	30
3	TS-NAT8P80TRSN	NUT, POWER FRAME STUD	30
4	TS-80704002	STUD, DISCHARGE TO SUCTION MODULE	24
5	TS-PEP55	NUT, DISCHARGE TO SUCTION STUD	24
6	TS-80700014	STUD, THREADED RING	36
7	TS-6300240	NUT, THREADED RING STUD	36
8	TS-IDT800DMSOE	STUD, DISCHARGE MANIFOLD	12
9	TS-IDT800TRSN	NUT, DISCHARGE MANIFOLD STUD	12
10	TS-80704001	MODULE, SUCTION ONLY	3
11	TS-80700014	STUD, THREADED RING	36
12	TS-6300240	NUT, THREADED RING STUD	36
13	TS-PEP75	STUD, LINER BUSHING	18
14	TS-80704004	CAP, THREAD	6
15	TS-80704003	RING, THREAD	6
16	TS-80704005	VALVE COVER	6
17	TS-12PVGASW	VALVE GUIDE	6
18	TS-7007303	CAP SCREW, VALVE GUIDE	12
19	TS-PZ789VGI	BUSHING, VALVE GUIDE	6
20	TS-SWP129	SEAL, VALVE COVER	6
21	TS-6511416	PIN, DOWEL	6
22	TS-1290344	GASKET, WEAR PLATE AND LINER	6
23	TS-PP602160SW	WEAR LPATE	3
24	TS-12PLASW	FLANGE, LINER RETAINER (LINER BUSHING)	3
25	TS-12PLANSW	NUT, LINER RETAINER	3
26	TS-99609235	SEAL, DISCHARGE MANIFOLD	3
27	TS-1540851	GASKET, SUCTION MANIFOLD	3
28	TS-700048511	CAP SCREW, SUCTION MANIFOLD	24

TSC does not warrant or represent that any of such information is accurate, or that any products listed are compatible with each other.  
Any deviations from the OEM products should be verified as to compatibility.

FLUID END MODULE & ACCESSORIES

**TSC WF2200**  
**TSC Manufacturing and Supply, LLC.**



TSC Manufacturing and Supply LLC, 13788 West Road, Suite 100, Houston, Texas 77041, USA  
Tel: +1 832 456 3900 Fax: +1 832 456 3998 E-mail: sales@t-s-c.com

## FLUID END MODULE &amp; ACCESSORIES

## TSC WF2200

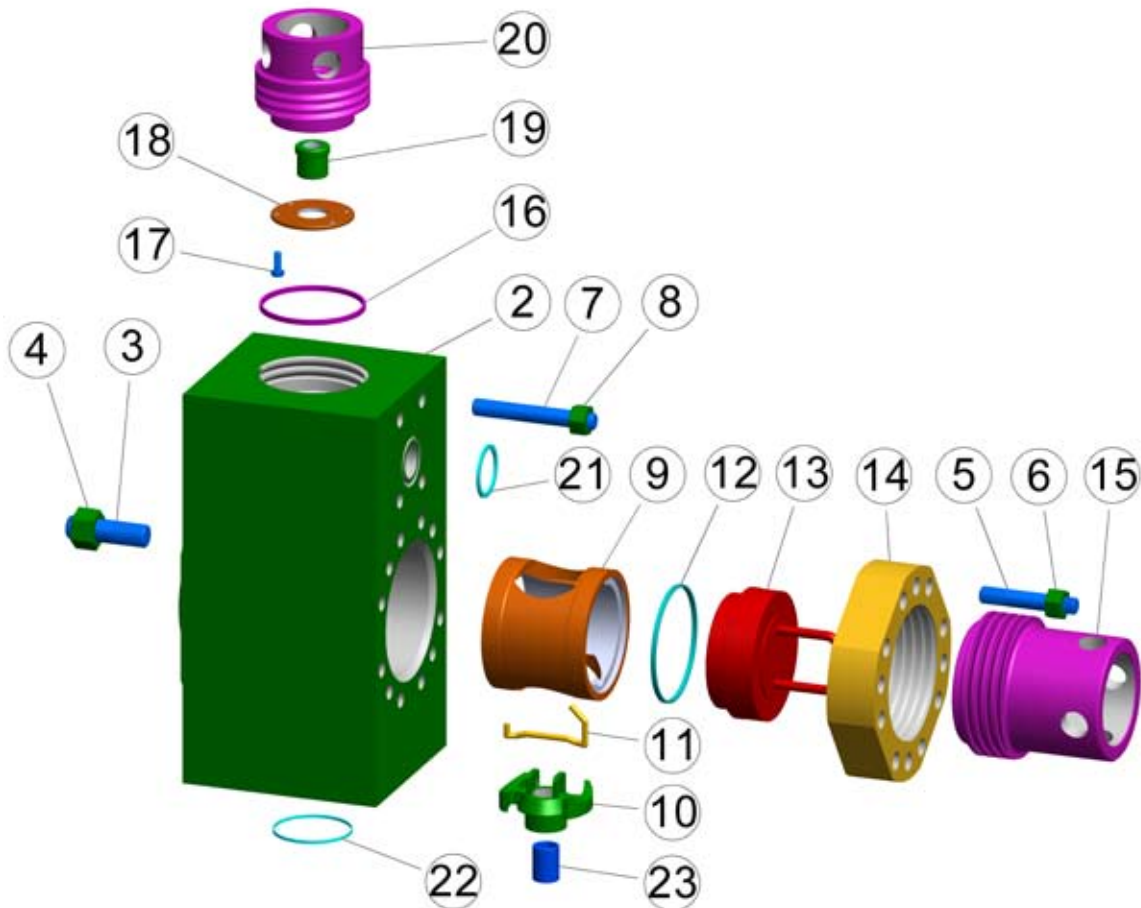
ITEM	PART NUMBER	DESCRIPTION	QTY/PUMP
	TS-80718020	ASSY, COMPLETE FLUID END W/ VALVE SERVICE & SUCTION MANIFOLD	3
1	TS-1295240	MODULE, STUDED FLUID END DISCHARGE (INCLUDES ITEMS 2-10)	3
2	TS-1295241	DISCHARGE MODULE ONLY	3
3	TS-2408027	STUD, POWER FRAME	30
4	TS-6300240	NUT, POWER FRAME STUD	30
5	TS-2408047	STUD, LINER BUSHING	18
6	TS-6300200	NUT, LINER BUSHING STUD	18
7	TS-2408048	STUD, SUCTION TO DISCHARGE MODULE	18
8	TS-6300320	NUT, SUCTION TO DISCHARGE MODULE STUD	18
9	TS-2408049	STUD, VALVE COVER	42
10	TS-6300240	NUT, VALVE COVER STUD	42
11	TS-1295243	MODULE, STUDED FLUID END SUCTION (INCLUDES ITEMS 12-14)	3
12	TS-1295244	SUCTION MODULE ONLY	3
13	TS-2408049	STUD, VALVE COVER	42
14	TS-6300240	NUT, VALVE COVER STUD	42
15	TS-1295165	BUSHING, LINER	3
16	TS-1295172	CAP, VALVE COVER (THREADED)	6
17	TS-1295176	RING, THREADED	6
18	TS-1295174	RETAINER, SEAL	6
19	TS-7601-0040-11	PULLER, SEAL RETAINER	6
20	TS-1540163	SEAL, VALVE COVER	6
21	TS-1292140	HOLDER, VALVE GUIDE INSERT	6
22	TS-1292141	INSERT, VALVE GUIDE	6
23	TS-6511416	PIN, DOWELL	6
24	TS-1295257	SEAL, MODULE & WEAR PLATE	6
25	TS-1295266	PLATE, WEAR	3
26	TS-1295252	CONNECTOR, DISCHARGE	2
27	TS-1295175	RING, DISCHARGE CONNECTOR BACK UP	4
28	TS-700030711	CAPSCREW, DISCHARGE CONNECTOR	16
29	TS-7619050	WASHER, DISCHARGE CONNECTOR CAPSCREW	16
30	TS-1295253	ADAPTER, DISCHARGE CONNECTOR	2
31	TS-2410031438	SEAL, DISCHARGE CONNECTOR TO DISCHARGE ADAPTER	2
32	TS-2410031440	SEAL, DISCHARGE CONNECTOR & DISCHARGE ADAPTER	4
33	TS-1295166	CLAMP COMPLETE, LINER	3
34	TS-700049110	CAPSCREW, LINER CLAMP	6
35	TS-6309140	NUT, LINER CAPSCREW	6
36	TS-1295169	PIN, LINER CLAMP	6
37	TS-1295168	CONNECTOR, LINER CLAMP	6
38	TS-7006609	CAPSCREW, DISCHARGE SPACER FLANGE	24
39	TS-2408014	STUD, DISCHARGE FLANGE	24
40	TS-6300180	NUT, DISCHARGE FLANGE STUD	24
41	TS-1540021	SEAL, SUCTION MANIFOLD	3

TSC does not warrant or represent that any of such information is accurate, or that any products listed are compatible with each other.  
Any deviations from the OEM products should be verified as to compatibility.

TSC Manufacturing and Supply LLC, 13788 West Road, Suite 100, Houston, Texas 77041, USA  
Tel: +1 832 456 3900 Fax: +1 832 456 3998 E-mail: sales@t-s-c.com

FLUID END MODULE & ACCESSORIES

**CONTINENTAL EMSCO F-350, F-500, F650  
TSC Manufacturing and Supply, LLC.**



TSC Manufacturing and Supply LLC, 13788 West Road, Suite 100, Houston, Texas 77041, USA  
Tel: +1 832 456 3900 Fax: +1 832 456 3998 E-mail: sales@t-s-c.com

## FLUID END MODULE &amp; ACCESSORIES

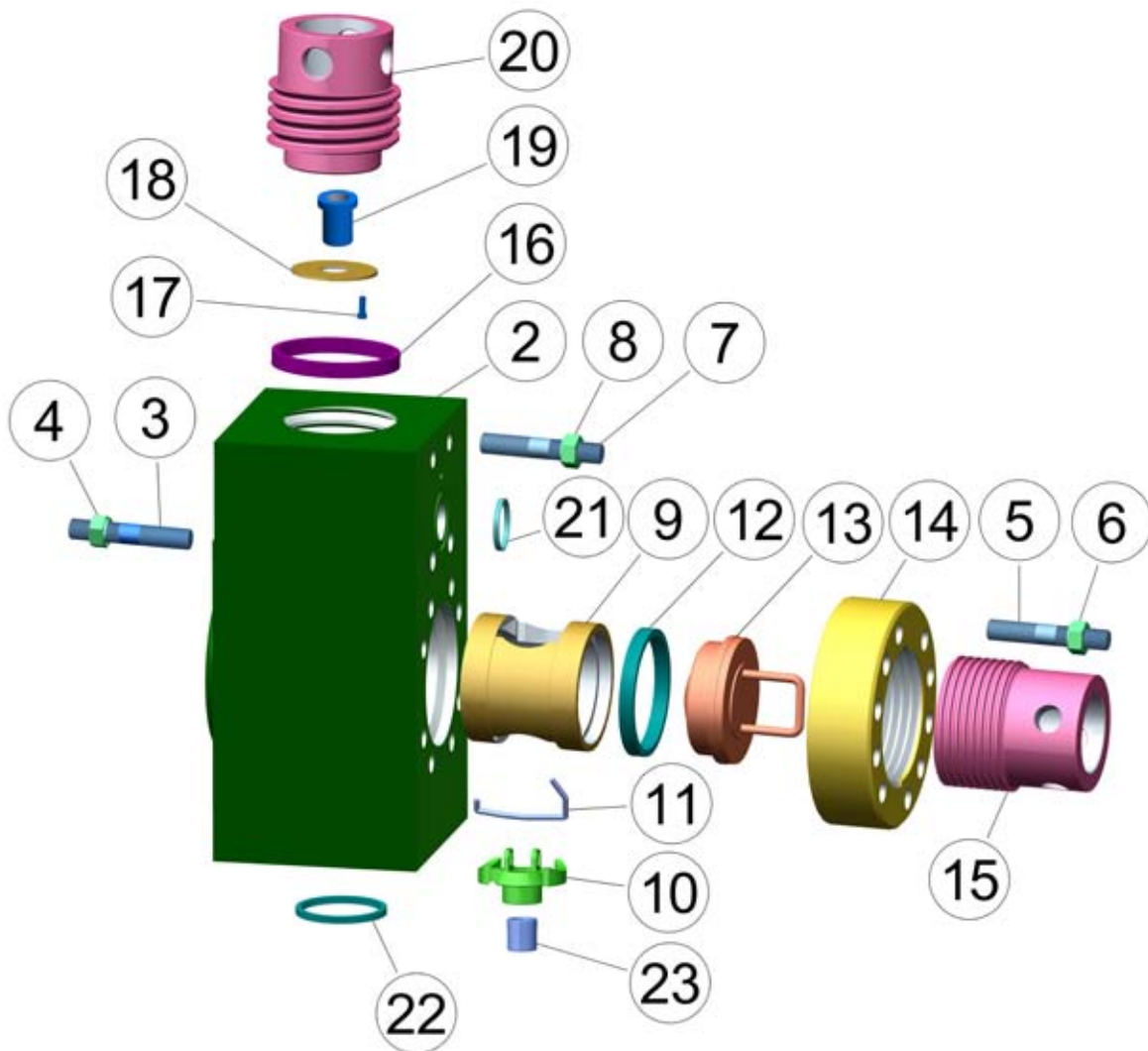
## CONTINENTAL EMSCO F-350, F-500, F650

ITEM	PART NUMBER	DESCRIPTION	QTY/PUMP
	TS-EMSFEMF500CA	FLUID END MODULE COMPLETE ASSEMBLY (INCLUDES ITEM 2-23)	3
1	TS-6318-0151-00	FLUID END MODULE STUDDED (INCLUDES ITEM 2-8)	3
2	TS-6318-0151-00U	FLUID END MODULE (UNSTUDED)	3
3	TS-7507-2207-00	STUD FRAME	18
4	TS-7601-0630-17	NUT (FOR ABOVE)	18
5	TS-7507-3402-00	STUD, THREADED RING	36
6	TS-7601-0630-26	NUT (FOR ABOVE)	36
7	TS-7507-3407-00	STUD, DISCHARGE MANIFOLD	12
8	TS-7601-0630-26	NUT (FOR ABOVE)	12
9	TS-6318-0148-00	CAGE, LINER	3
10	TS-6318-0177-00	GUIDE, LOWER VALVE (WITH BUSHING)	3
11	TS-6318-0153-00	CLIP, LOCKING (FOR LOWER VALVE GUIDE)	3
12	TS-7602-2200-34	GASKET, LINER/ CYLINDER HEAD (G-281)	6
13	TS-6318-0158-00	PLUG, CYLINDER HEAD	3
14	TS-6318-0130-00	RING, THREADED CYLINDER HEAD	3
15	TS-6318-0157-00	CAP, THREADED CYLINDER HEAD	3
16	TS-6310-0084-00	GASKET, VALVE COVER (G-733)	3
17	TS-7501-0051-00	SCREW, RETAINER (UPPER)	12
18	TS-6310-0133-00	RETAINER PLATE (UPPER)	3
19	TS-6397-0602-00	GUIDE, UPPER VALVE	3
20	TS-6310-0016-01	COVER, VALVE POT	3
21	TS-7602-1600-23	GASKET, DISCHARGE MANIFOLD	3
22	TS-7602-1600-38	GASKET, SUCTION MANIFOLD	3
23	TS-6318-0155-00	BUSHING, LOWER VALVE GUIDE	3
24	TMF05-STUDSET	F-500 STUDS AND NUTS SET(INCLUDES 6 PCS TS-7507-2207-00, 6 PCS TS-7601-0630-17, 12 PCS TS-7507-3402-00, 16 PCS TS-7601-0630- 26, 4 PCS TS-7507-3407-00)	3
25	TMF05-SEALKIT	F-800/1000 MODULE SEAL KIT (INCLUDES ONE G-282, ONE G-740, ONE TS-7602-1610-46, ONE TS- 7602-1600-61)	3

TSC does not warrant or represent that any of such information is accurate, or that any products listed are compatible with each other.  
Any deviations from the OEM products should be verified as to compatibility.

FLUID END MODULE & ACCESSORIES

**CONTINENTAL EMSCO F-800, F-1000**  
**TSC Manufacturing and Supply, LLC.**



TSC Manufacturing and Supply LLC, 13788 West Road, Suite 100, Houston, Texas 77041, USA  
Tel: +1 832 456 3900 Fax: +1 832 456 3998 E-mail: sales@t-s-c.com

## FLUID END MODULE &amp; ACCESSORIES

## CONTINENTAL EMSCO F-800, F-1000

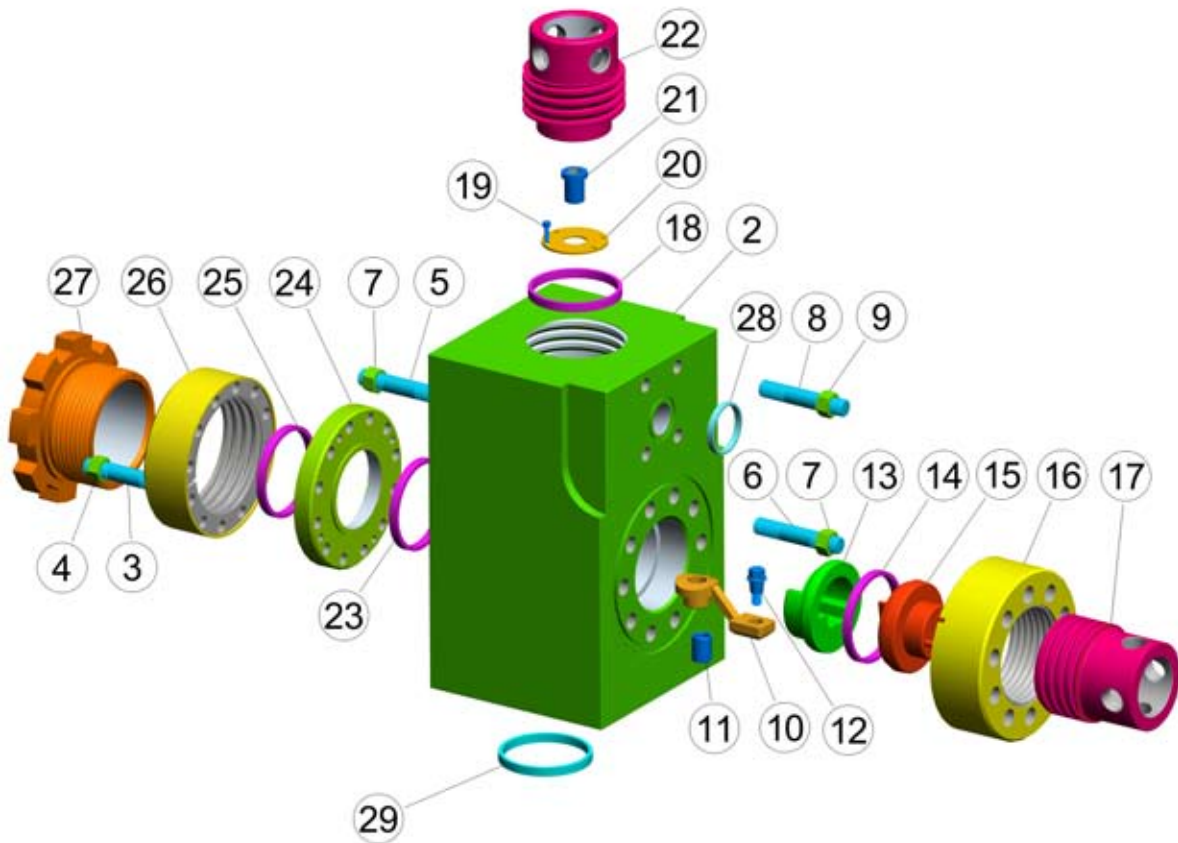
ITEM	PART NUMBER	DESCRIPTION	QTY/PUMP
	TS-EMSFEF1000CA	FLUID END MODULE COMPLETE ASSEMBLY (INCLUDES ITEM 2-23)	3
1	TS-6999-0086-02	FLUID END MODULE STUDDED (INCLUDES ITEM 2-8)	3
2	TS-6999-0087-02	FLUID END MODULE (UNSTUDED)	3
3	TS-7507-2205-00	STUD FRAME	18
4	TS-7601-0630-17	NUT (FOR ABOVE)	18
5	TS-7507-2150-00	STUD, THREADED RING	30
6	TS-7601-0630-28	NUT (FOR ABOVE)	30
7	TS-7507-2108-00	STUD, DISCHARGE MANIFOLD	12
8	TS-7601-0630-24	NUT (FOR ABOVE)	12
9	TS-6319-0026-00	CAGE, LINER	3
10	TS-6319-0087-00	GUIDE, LOWER VALVE (WITH BUSHING)	3
11	TS-6319-0089-00	CLIP, LOCKING (FOR LOWER VALVE GUIDE)	3
12	TS-7602-2200-32	GASKET, LINER/ CYLINDER HEAD (G-282)	6
13	TS-6319-0031-00	PLUG, CYLINDER HEAD	3
14	TS-6999-0089-00	RING, THREADED CYLINDER HEAD	3
15	TS-6319-0090-00	CAP, THREADED CYLINDER HEAD	3
16	TS-6319-0076-00	GASKET, VALVE COVER (G-740)	3
17	TS-7501-0051-00	SCREW, RETAINER (UPPER)	12
18	TS-6397-0603-00	RETAINER PLATE (UPPER)	3
19	TS-6397-0575-00	GUIDE, UPPER VALVE	3
20	TS-6319-0027-00	COVER, VALVE POT	3
21	TS-7602-1610-46	GASKET, DISCHARGE MANIFOLD	3
22	TS-7602-1600-61	GASKET, SUCTION MANIFOLD	3
23	TS-6316-0096-00	BUSHING, LOWER VALVE GUIDE	3
24	TMF10-STUDSET	F-800/1000 STUDS AND NUTS SET(INCLUDES 6 PCS TS-7507-2205-00, 6 PCS TS-7601-0630-17, 10 PCS TS-7507-2150-00, 10 PCS TS-7601-0630- 28, 4 PCS TS-7507-2108-00, 4 PCS TS-7601-0630-24)	3
25	TMF10-SEALKIT	F-800/1000 MODULE SEAL KIT (INCLUDES ONE G-282, ONE G-740, ONE TS-7602-1610-46, ONE TS- 7602-1600-61)	3

TSC does not warrant or represent that any of such information is accurate, or that any products listed are compatible with each other.  
Any deviations from the OEM products should be verified as to compatibility.



FLUID END MODULE & ACCESSORIES

**CONTINENTAL EMSCO FB-1300, FB-1600**  
**TSC Manufacturing and Supply, LLC.**



TSC Manufacturing and Supply LLC, 13788 West Road, Suite 100, Houston, Texas 77041, USA  
Tel: +1 832 456 3900 Fax: +1 832 456 3998 E-mail: sales@t-s-c.com

## FLUID END MODULE &amp; ACCESSORIES

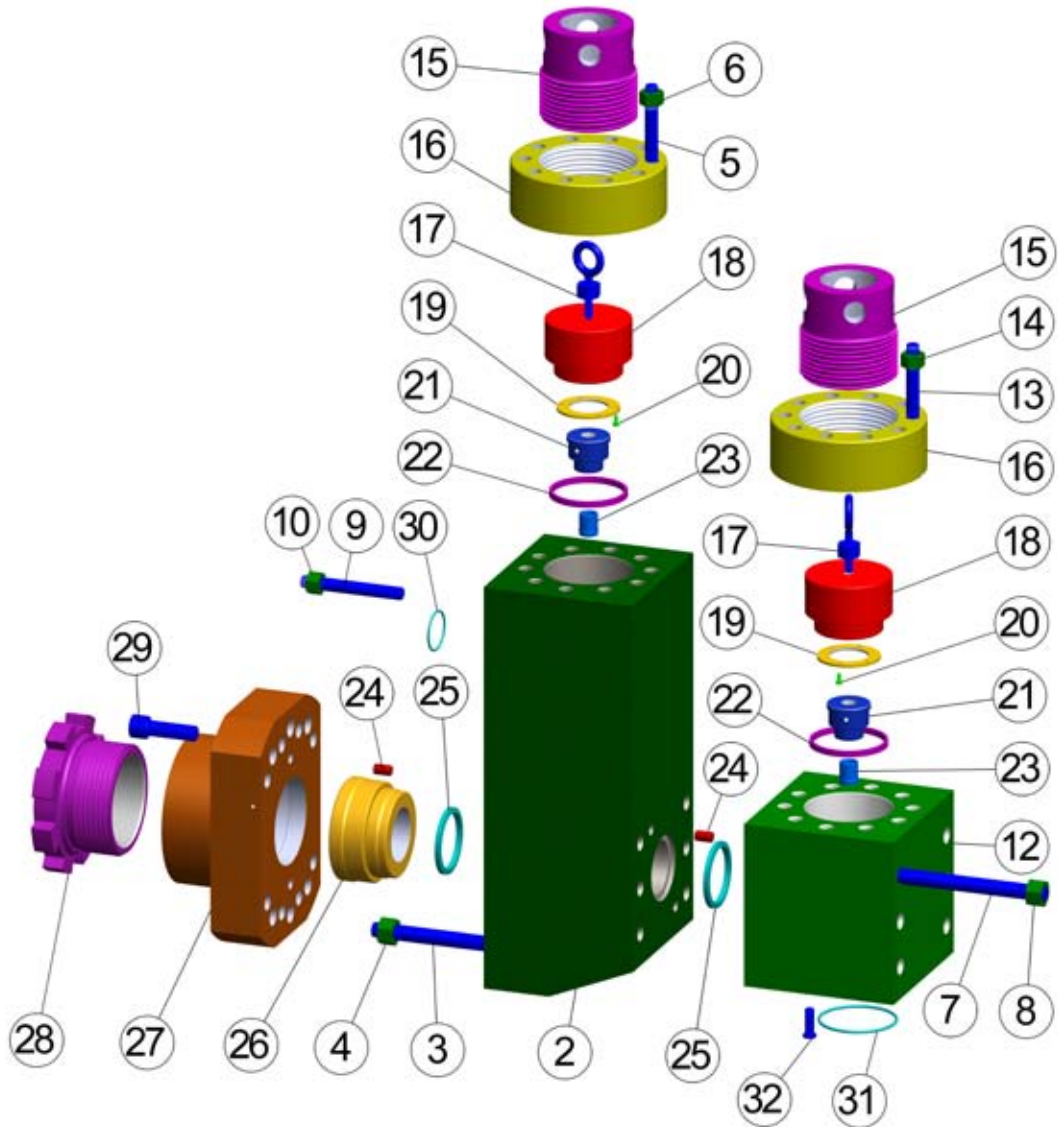
## CONTINENTAL EMSCO FB-1300, FB-1600

ITEM	PART NUMBER	DESCRIPTION	QTY/PUMP
	TS-6316-0375-00	FLUID END MODULE COMPLETE ASSEMBLY (INCLUDES ITEM 2-24, 26- 29)	3
1	TS-6316-0357-00	FLUID END MODULE STUDED (INCLUDES ITEM 2-9)	3
2	TS-6316-0356-00	FLUID END MODULE ONLY (UNSTUDED)	3
3	TS-7507-2013-00	STUD, MODULE TO LINER CLAMP	36
4	TS-7601-0610-18	LINER CLAMP STUD NUT	36
5	TS-7507-2201-00	POWER FRAME STUD	18
6	TS-7507-2210-00	STUD, MODULE TO CYLINDER	30
7	TS-7601-0630-17	NUT (FOR ABOVE)	48
8	TS-7507-2108-00	STUD, MODULE TO DISC. MANIFOLD	12
9	TS-7601-0630-24	NUT (FOR ABOVE)	12
10	TS-6316-0354-00	GUIDE, LOWER VALVE (WITH BUSHING)	3
11	TS-6316-0096-00	BUSHING, LOWER VALVE GUIDE	3
12	TS-6316-0360-00	LOCKBOLT, LOWER VALVE GUIDE	3
13	TS-6316-0363-00	ALIGNMENT RING	3
14	TS-6316-0369-00	GASKET, HEAD SEAL (G-801)	3
15	TS-6316-0364-00	PLUG, CYLINDER HEAD	3
16	TS-6316-0361-00	RING, THREADED CYLINDER HEAD	3
17	TS-6316-0362-00	CAP, THREADED CYLINDER HEAD	3
18	TS-6316-0092-00	GASKET, VALVE COVER (G-741)	3
19	TS-7501-0051-00	SCREW, RETAINER (UPPER)	12
20	TS-6397-0603-00	PLATE, RETAINER (UPPER)	3
21	TS-6397-0575-00	GUIDE, UPPER VALVE	3
22	TS-6316-0039-00	COVER, VALVE POT	3
23	TS-6316-0373-00	GASKET, WEAR PLATE (G-800)	3
24	TS-6316-0365-00	PLATE, WEAR	3
25	TS-6316-0373-00	GASKET, LINER (G-800)	3
26	TS-6316-0366-00	RING, LINER THREADED	3
27	TS-6316-0367-00	LINER LOCK	3
28	TS-7602-1600-25	GASKET, DISCHARGE MANIFOLD	3
29	TS-7602-1600-61	GASKET, SUCTION MANIFOLD	3
30	TMFB6-STUDSET	FB-1300/1600 STUDS AND NUTS SET (INCLUDES 12 PCS TS-7507-2013-00, 12 PCS TS-7601-0610-18, 6 PCS TS-7507-2201-00, 6 PCS TS-7507-2210-00, 16 PCS TS-7601-0630-17, 4 PCS TS-7507-2108-00, 4 PCS TS-7601-0630-24)	3
31	TMFB6-SEALKIT	FB-1300/1600 MODULE SEAL KIT (INCLUDES ONE G-800, ONE G-741, ONE G-801, ONE TS-7602-1600-25, ONE TS-7602-1600-61)	3

TSC does not warrant or represent that any of such information is accurate, or that any products listed are compatible with each other.  
Any deviations from the OEM products should be verified as to compatibility.

FLUID END MODULE & ACCESSORIES

**EMSCO FC-1600 (7500 PSI)**  
**TSC Manufacturing and Supply, LLC.**



TSC Manufacturing and Supply LLC, 13788 West Road, Suite 100, Houston, Texas 77041, USA  
 Tel: +1 832 456 3900 Fax: +1 832 456 3998 E-mail: sales@t-s-c.com

## FLUID END MODULE &amp; ACCESSORIES

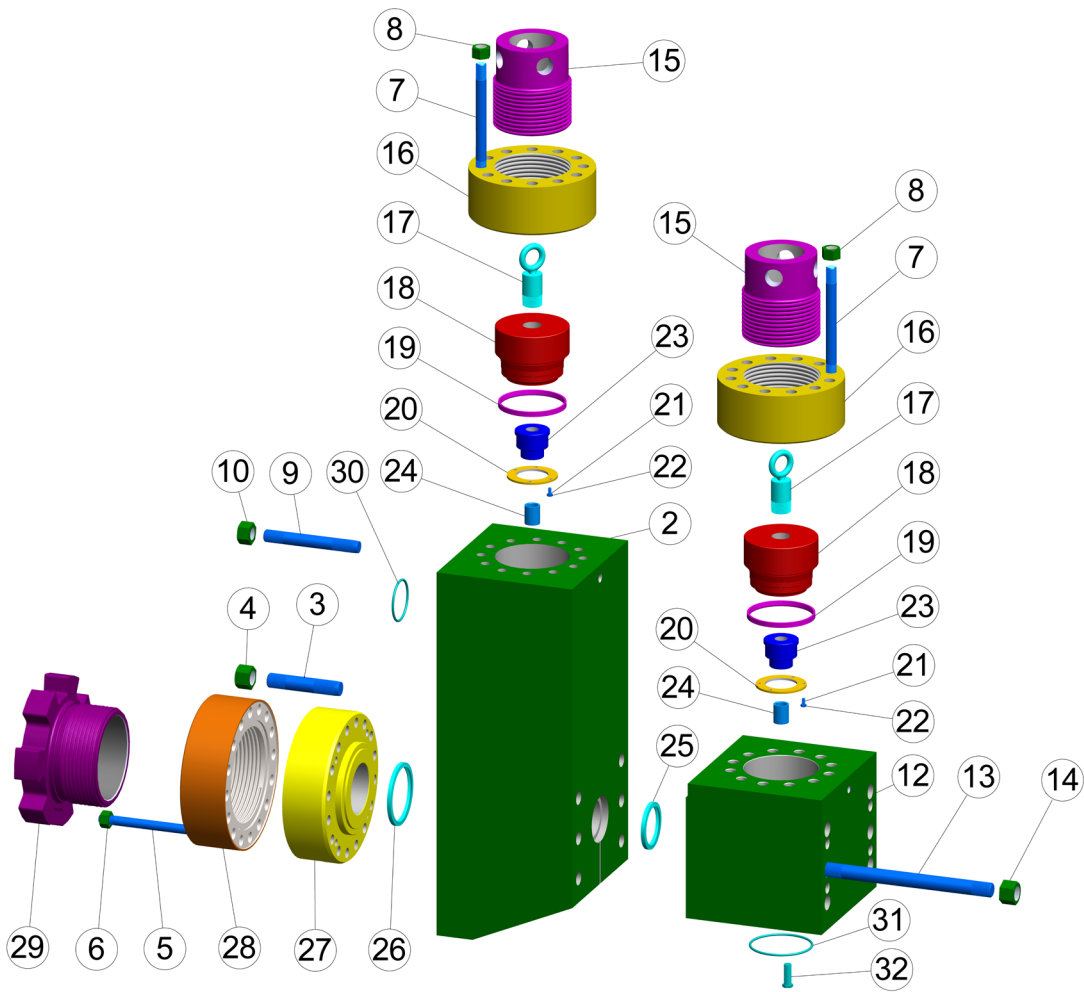
## EMSCO FC-1600 (7500 PSI)

ITEM	PART NUMBER	DESCRIPTION	QTY/PUMP
	TS-6316-0452-10	ASSY, COMPLETE FLUID END	3
1	TS-6316-0610-01	MODULE, DISCHARGE STUDDED(INCLUDE 2-10)	3
2	TS-6316-0606-00	DISCHARGE MODULE ONLY	3
3	TS-7507-2215-00	STUD, LINER BUSHING	18
4	TS-7601-0630-24	NUT, LINER BUSHING STUD	18
5	TS-7507-2120-00	STUD, THREADED RING	30
6	TS-7601-0630-24	NUT, THREADED RING STUD	30
7	TS-7507-2219-00	STUD, DISCHARGE MODULE TO SUCTION MODULE	18
8	TS-7601-0630-17	NUT, DISCHARGE TO SUCTION MODULE STUD	18
9	TS-7507-2122-00	STUD, DISCHARGE MANIFLOD	12
10	TS-7601-0630-24	NUT, DISCHARGE MANIFLOD STUD	12
11	TS-6316-0611-00	MODULE, SUCTION STUDDED(INCLUDE 12-14)	3
12	TS-6316-0607-00	SUCTION MODULE ONLY	3
13	TS-7507-2120-00	STUD, THREADED RING	30
14	TS-7601-0630-24	NUT, THREADED RING STUD	30
15	TS-6316-0614-00	THREADED RETAINER	6
16	TS-6316-0615-00	THREADED RING	6
17	TS-7601-0040-11	EYEBOLT, 3/4 × 4.50	6
18	TS-6316-0616-00	VALVE POT COVER	6
19	TS-6323-0093-00	RETAINER, VALVE GUIDE	6
20	TS-7501-0051-00	SCREW, RETAINER (UPPER)	24
21	TS-6316-0585-00	VALVE GUIDE	6
22	TS-6316-0092-00	GASKET, VALVE COVER	6
23	TS-6316-0583-00	BUSHING, VALVE GUIDE	6
24	TS-7601-0820-10	DOWEL PIN	12
25	TS-6316-0565-00	GASKET, MODULE & WEAR PLATE	6
26	TS-6316-0668-00	WEAR PLATE	3
27	TS-6316-0613-00	SPACER FLANGE	3
28	TS-6316-0367-20	LINER LOCK	3
29	TS-7601-0342-29	CAPSCREW, SPACER FLANGE	24
30	TS-7602-1600-25	O-RING, DISCHARGE MANIFOLD	3
31	TS-7602-1600-61	O-RING, SUCTION MANIFOLD	3
32	TS-7601-0333-30	CAPSCREW, SUCTION MANIFOLD	18

TSC does not warrant or represent that any of such information is accurate, or that any products listed are compatible with each other.  
Any deviations from the OEM products should be verified as to compatibility.

**FLUID END MODULE & ACCESSORIES**

**EMSCO FC-2200  
TSC Manufacturing and Supply, LLC.**



TSC Manufacturing and Supply LLC, 13788 West Road, Suite 100, Houston, Texas 77041, USA  
Tel: +1 832 456 3900 Fax: +1 832 456 3998 E-mail: sales@t-s-c.com

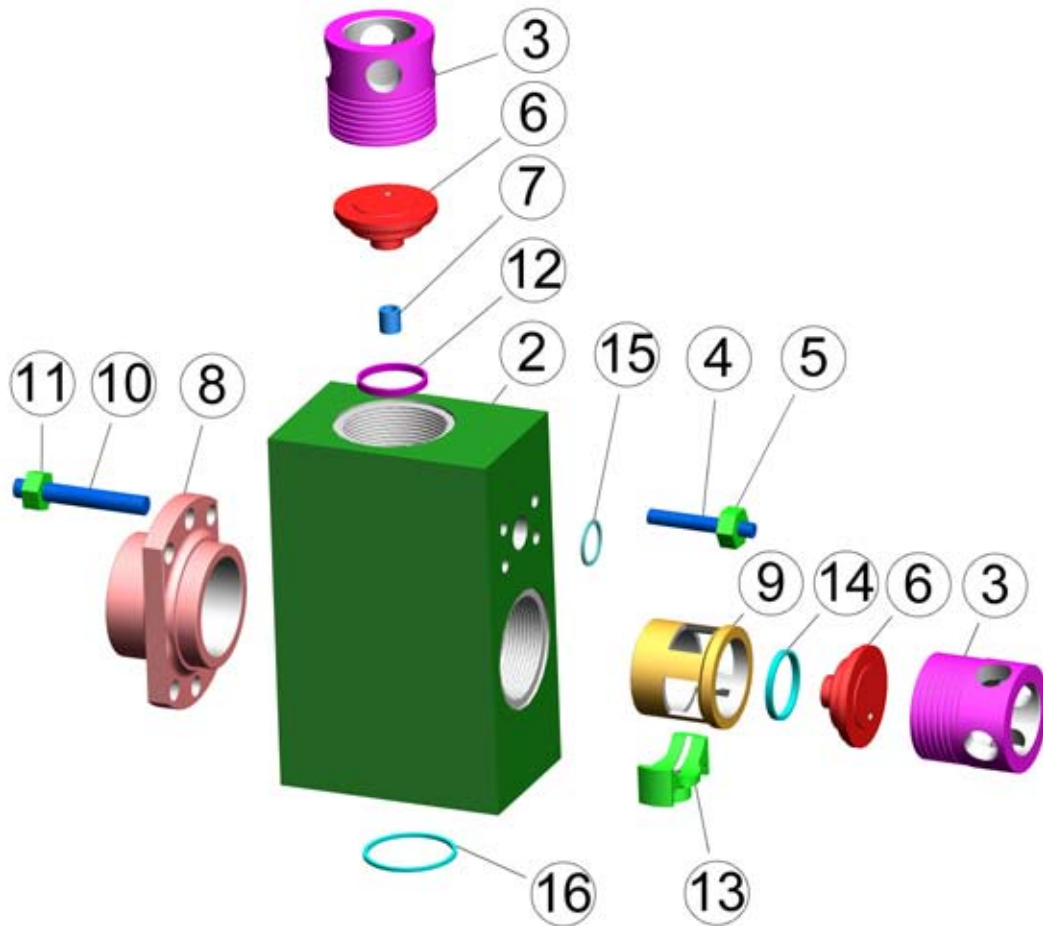
**FLUID END MODULE & ACCESSORIES****EMSCO FC-2200**

ITEM	PART NUMBER	DESCRIPTION	QTY/PUMP
	TS-6323-0100-20	ASSY, FLUID END COMPLETE (INCLUDES DISCHARGE MANIFOLD)	3
1	TS-6323-0108-00	STUDED FLUID END DISCHARGE (INCLUDES ITEM 2-10)	3
2	TS-6323-0081-00	DISCHARGE MODULE ONLY	3
3	TS-2200-S02	STUD, POWER FRAME	24
4	TS-7601-0630-06	NUT, POWER FRAME STUD	24
5	TS-2200-S05	STUD, LINER THREADED RING	48
6	TS-7601-0630-26	NUT, LINER THREADED RING STUD	48
7	TS-2200-S04	STUD, THREADED RING	72
8	TS-7601-0630-24	NUT, THREADED RING STUD	72
9	TS-2200-S03	STUD, DISCHARGE MANIFOLD	12
10	TS-7601-0630-17	NUT, DISCHARGE MANIFOLD STUD	12
11	TS-6323-0109-00	STUDED FLUID END SUCTION (INCLUDES ITEM 12-14)	3
12	TS-6323-0082-00	SUCTION MODULE ONLY	3
13	TS-2200-S01	STUD, SUCTION MODULE CONNECTION	24
14	TS-7601-0630-06	NUT, SUCTION MODULE CONNECTION STUD	24
15	TS-6323-9087-90	RETAINER, THREADED	6
16	TS-6323-9086-90	RING, THREADED	6
17	TS-6323-0126-00	HANDLER, VALVE POT	6
18	TS-6323-0083-00	COVER, VALVE POT	6
19	TS-6323-0125-00	SEAL, VALVE POT COVER	6
20	TS-6323-0093-00	RETAINER, VALVE GUIDE	3
21	TS-7501-0051-00	SCREW, RETAINER	24
22	TS-7602-5310-00	WIRE, 0.06DIA x 72"LG. STAINLESS STEEL	1
23	TS-6323-0103-00	GUIDE WITH BUSHING, VALVE	6
24	TS-6323-0102-00	BUSHING, GUIDE	6
25	TS-6323-0128-00	SEAL, SUCTION TO DISCHARGE MODULE	3
26	TS-6323-0127-00	SEAL, WEAR PLATE & LINER	3
27	TS-6323-9097-90	PLATE, WEAR	3
28	TS-6323-0096-00	RING, LINER THREAD	3
29	TS-6323-0099-00	LINER LOCK	3
30	TS-7602-1600-30	O-RING, DISCHARGE MANIFOLD TO FLUID END	3
31	TS-7602-1600-61	O-RING, SUCTION MANIFOLD TO FLUID END	3
32	TS-7601-0333-30	SCREW, SUCTION MANIFOLD TO FLUID END	18

TSC does not warrant or represent that any of such information is accurate, or that any products listed are compatible with each other.  
Any deviations from the OEM products should be verified as to compatibility.

FLUID END MODULE & ACCESSORIES

**GARDNER DENVER PAH**  
**TSC Manufacturing and Supply, LLC.**



TSC Manufacturing and Supply LLC, 13788 West Road, Suite 100, Houston, Texas 77041, USA  
Tel: +1 832 456 3900 Fax: +1 832 456 3998 E-mail: sales@t-s-c.com

## FLUID END MODULE &amp; ACCESSORIES

## GARDNER DENVER PAH

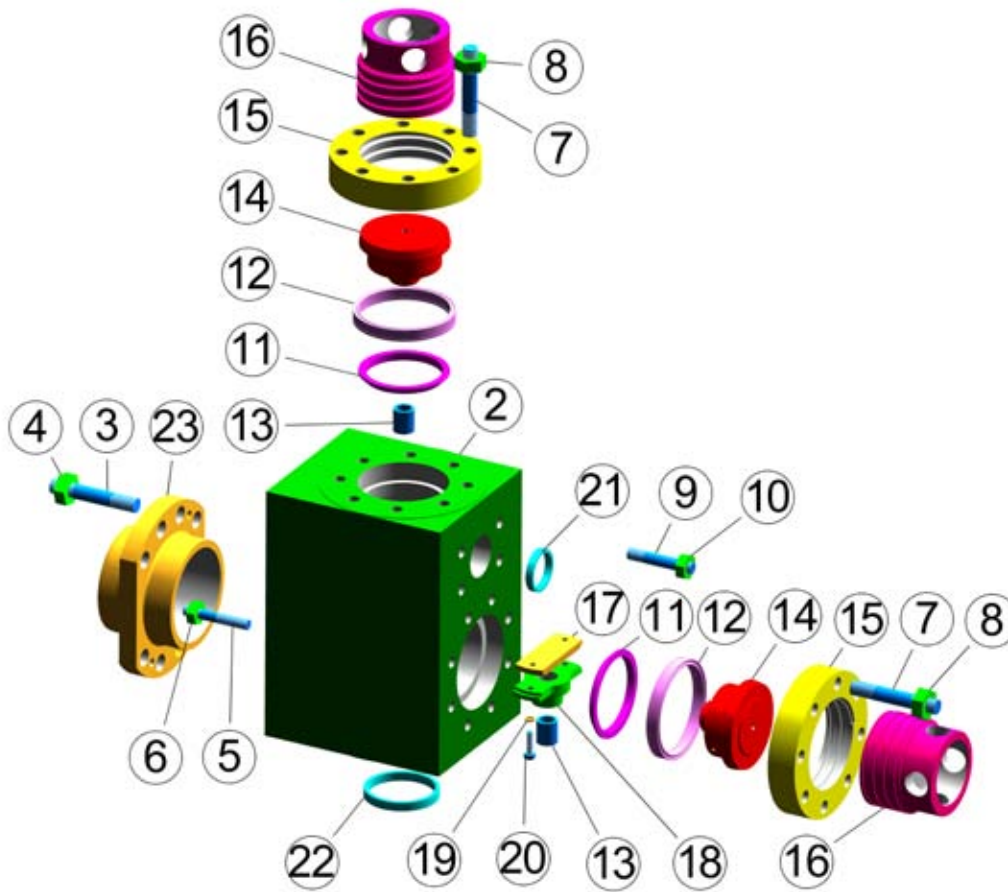
ITEM	PART NUMBER	DESCRIPTION	QTY/PUMP
	TS-FEMGDPAHCA	FLUID END MODULE COMPLETE ASSEMBLY (INCLUDES ITEM 2-16)	3
1	TS-200PJH029B	FLUID END MODULE STUDDED (INCLUDES ITEM 2,4,5,10,11)	3
2	TS-200PJH029U	FLUID END MODULE ONLY	3
3	TS-3PA587	THREADED CAP (COVER LOCK)	6
4	TS-79L142	DISCHARGE MANIFOLD STUD	12
5	TS-50B9	NUT, DISCHARGE MANIFOLD STUD	12
6	TS-200PJH147	VALVE COVER	6
7	TS-2013547	DISCHARGE VALVE GUIDE BUSHING	3
8	TS-1PA217	LINER CLAMP	3
9	TS-200PJH205	SUCTION VALVE GUIDE RETAINER	3
10	TS-79AJ2	LINER CLAMP STUD	18
11	TS-50B35	LINER CLAMP STUD NUT	36
12	TS-200PJH715	VALVE COVER GASKET (G-799)	3
13	TS-200PJH483	VALVE GUIDE, SUCTION	3
14	TS-200PJH715	GASKET, CYLINDER HEAD (G-799)	3
15	TS-25AL54	GASKET, DISCHARGE MANIFOLD	3
16	TS-25G18	GASKET, SUCTION MANIFOLD	3
17	TMPAH-STUDSET	PAH STUDS AND NUTS SET (INCLUDES 4 PCS TS-79L142, 4 PCS TS-50B9, 6 PCS TS-79AJ2, 12 PCS TS-50B35)	3
18	TMPAH-SEALKIT	PAH MODULE SEAL KIT (INCLUDES TWO G-799, ONE TS-25AL54, ONE TS-25G18)	3

TSC does not warrant or represent that any of such information is accurate, or that any products listed are compatible with each other.  
Any deviations from the OEM products should be verified as to compatibility.



FLUID END MODULE & ACCESSORIES

**GARDNER DENVER PZ-7, PZ-8, PZ-9**  
**TSC Manufacturing and Supply, LLC.**



TSC Manufacturing and Supply LLC, 13788 West Road, Suite 100, Houston, Texas 77041, USA  
Tel: +1 832 456 3900 Fax: +1 832 456 3998 E-mail: sales@t-s-c.com

## FLUID END MODULE &amp; ACCESSORIES

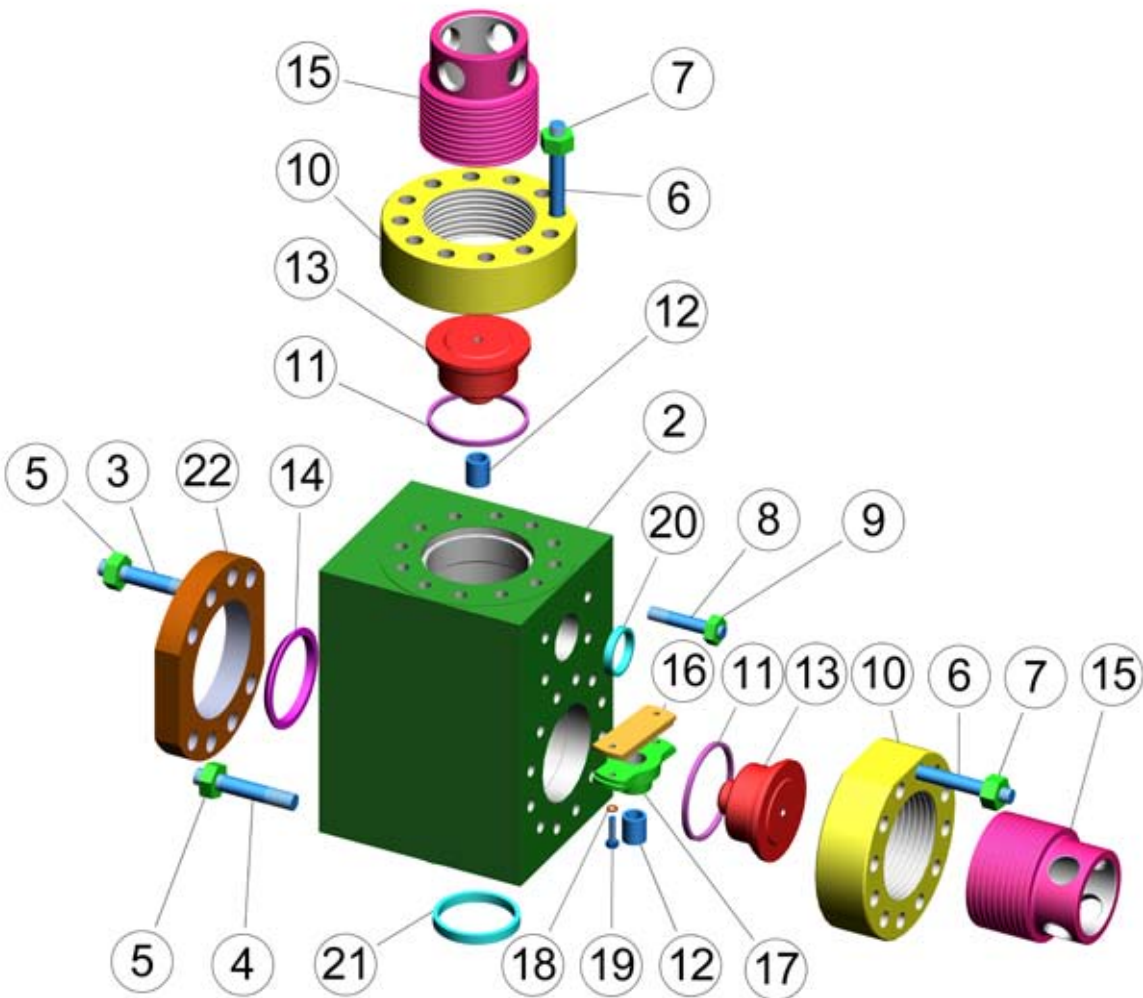
**GARDNER DENVER PZ-7, PZ-8, PZ-9**

ITEM	PART NUMBER	DESCRIPTION	QTY/PUMP
	TS-FEMPZ789CA	FLUID END MODULE COMPLETE ASSEMBLY (INCLUDES ITEM 2-23)	
1	TS-205PZL029D	FLUID END MODULE STUDED (INCLUDES ITEM 2-10)	3
2	TS-205-6651-18	FLUID END MODULE ONLY	3
3	TS-79L188	STUD, FRAME & LINER CLAMP	24
4	TS-50B36	NUT (FOR ABOVE)	48
5	TS-79L73	STUD, FRAME	12
6	TS-50AQ30	NUT (FOR ABOVE)	12
7	TS-79AL6	STUD, VALVE COVER	48
8	TS-50B34	NUT (FOR ABOVE)	48
9	TS-202PZL110	STUD, DISCHARGE MANIFOLD	12
10	TS-50B34	NUT (FOR ABOVE)	12
11	TS-2011861	RING, VALVE COVER GASKET EXPANDER	6
12	TS-2011862	GASKET, VALVE COVER (G-749)	6
13	TS-2007674	BUSHING, VALVE GUIDE	6
14	TS-2011860	COVER, VALVE	6
15	TS-2011699	RING, VALVE COVER THREADED	6
16	TS-2011857	CAP, VALVE COVER LOCK	6
17	TS-2011701	PLATE, RETAINER	3
18	TS-2011700	GUIDE, VALVE SUCTION	3
19	TS-95W2	WASHER, LOCK 1/2" 316SS	6
20	TS-655EE06S	SCREW 1/2" x 1-3/4" 316SS HX HD C/S	6
21	TS-25AL35	GASKET, DISCHARGE MANIFOLD	3
22	TS-25G41	GASKET, SUCTION MANIFOLD	3
23	TS-1PV14	CLAMP, LINER	3
24	TS-2011706	ASSEMBLY, LOWER VALVE GUIDE (INCLUDES ITEM 13, 17-20)	3
25	TMPZ9-STUDSET	PZ-7/8/9 STUDS AND NUTS SET (INCLUDES 8 PCS TS-79L188, 16 PCS TS-50B36, 4 PCS TS-79L73, 4 PCS TS-50AQ30, 16 PCS TS-79AL6, 4 PCS TS-202PZL110, 20 PCS TS-50B34)	3
26	TMPZ9-SEALKIT	PAH MODULE SEAL KIT (INCLUDES TWO G-749, ONE TS-25AL35, ONE TS-25G41)	3

TSC does not warrant or represent that any of such information is accurate, or that any products listed are compatible with each other.  
Any deviations from the OEM products should be verified as to compatibility.

FLUID END MODULE & ACCESSORIES

**GARDNER DENVER PZ-10, PZ-11**  
**TSC Manufacturing and Supply, LLC.**



TSC Manufacturing and Supply LLC, 13788 West Road, Suite 100, Houston, Texas 77041, USA  
Tel: +1 832 456 3900 Fax: +1 832 456 3998 E-mail: sales@t-s-c.com

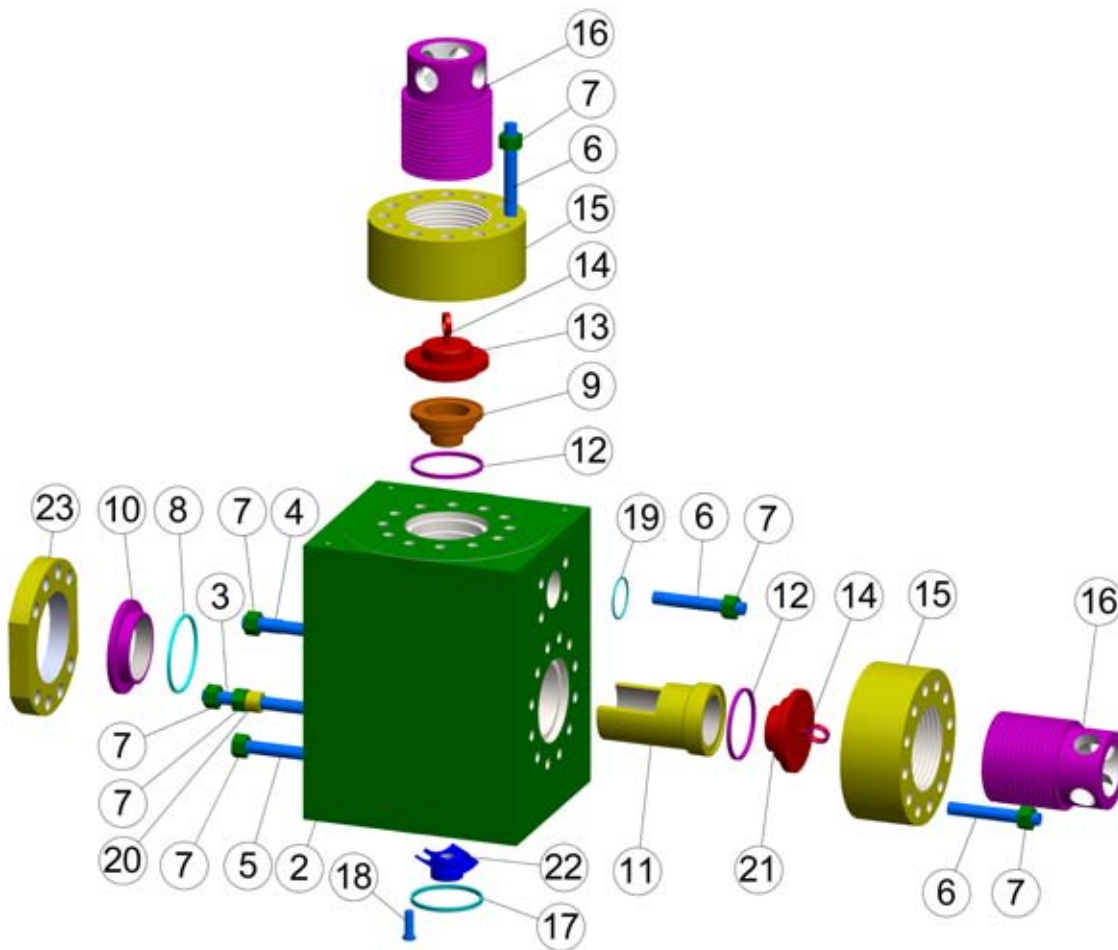
**FLUID END MODULE & ACCESSORIES****GARDNER DENVER PZ-10, PZ-11**

ITEM	PART NUMBER	DESCRIPTION	QTY/PUMP
	TS-FEMPZ1011WPCA	FLUID END MODULE COMPLETE ASSEMBLY (INCLUDES ITEM 2-13, 15-22)	3
1	TS-202PZL029B	FLUID END MODULE STUDDED (INCLUDES ITEM 2-9)	3
2	TS-202-6651-20	FLUID END MODULE ONLY	3
3	TS-201PZL110	STUD, FRAME & LINER CLAMP LONG	24
4	TS-205PZL110	STUD, SHORT	24
5	TS-50B36	NUT, FRAME & LINER CLAMP STUD	72
6	TS-204PZL110	STUD, VALVE COVER	72
7	TS-50B34	NUT (FOR ABOVE)	72
8	TS-202PZL110	STUD, DISCHARGE MANIFOLD	12
9	TS-50B34	NUT (FOR ABOVE STUD) (SAME AS ITEM 7)	12
10	TS-200PZL387	RING, VALVE COVER THREADED	6
11	TS-204PZL715	GASKET, VALVE COVER (G-798Z)	6
12	TS-2007674	BUSHING, VALVE GUIDE	6
13	TS-200PZL147	COVER, VALVE	6
14	TS-25AL37	LINER GASKET (G-692)	3
15	TS-200PZL587	CAP, VALVE COVER LOCK	6
16	TS-2011701	PLATE, RETAINER	3
17	TS-200PZL483	GUIDE, VALVE SUCTION	3
18	TS-95W2	WASHER, LOCK 1/2" 316SS	6
19	TS-655EE065	SCREW 1/2" x 1-3/4" 316SS HX HD C/S	6
20	TS-25AL35	GASKET, DISCHARGE MANIFOLD	3
21	TS-25G41	GASKET, SUCTION MANIFOLD	3
22	TS-200PZL455	CLAMP, LINER	3
23	TS-200PZL483A	ASSEMBLY, LOWER VALVE GUIDE(INCLUDES ITEM 12,16,17,18,19)	3
24	TMPZ11-STUDSET	PZ-10/11 STUDS AND NUTS SET (INCLUDES 8 PCS TS-201PZL110, 8 PCS TS-205PZL110, 24 PCS TS-50B36, 24 PCS TS-204PZL110, 28 PCS TS-50B34, 4 PCS TS-202PZL110)	3
25	TMPZ11-SEALKIT	PZ-10/11 MODULE SEAL KIT (INCLUDES TWO G-798Z, ONE TS-25AL35, ONE TS-25G41)	3

TSC does not warrant or represent that any of such information is accurate, or that any products listed are compatible with each other.  
Any deviations from the OEM products should be verified as to compatibility.

FLUID END MODULE & ACCESSORIES

**GARDNER DENVER PZ-11 HP (PZL) (7500PSI)**  
**TSC Manufacturing and Supply, LLC.**



TSC Manufacturing and Supply LLC, 13788 West Road, Suite 100, Houston, Texas 77041, USA  
Tel: +1 832 456 3900 Fax: +1 832 456 3998 E-mail: sales@t-s-c.com

## FLUID END MODULE &amp; ACCESSORIES

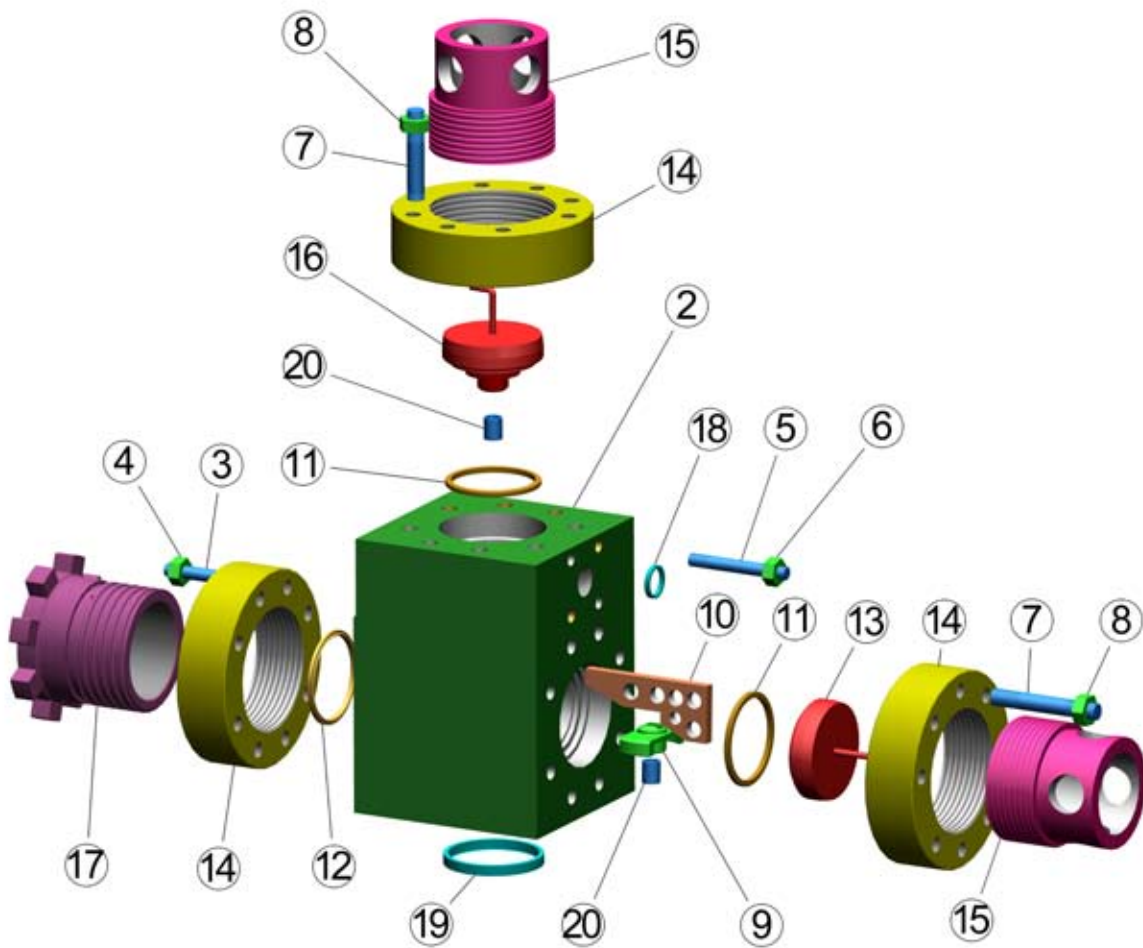
**GARDNER DENVER PZ-11 HP (PZL) (7500PSI)**

ITEM	PART NUMBER	DESCRIPTION	QTY/PUMP
	TS-FEMPZ101175CA	FLUID END MODULE COMPLETE ASSEMBLY (INCLUDES ITEM 2-23)	3
1	TS-300PZL2039	FLUID END MODULE STUDDED (INCLUDES ITEM 2-9)	3
2	TS-300PZL029	FLUID END MODULE ONLY	3
3	TS-302PZL110	STUD, LINER CLAMP	36
4	TS-300PZL110	STUD, FLUID CYLINDER TO FRAME ALIGNMENT(UPPER)	6
5	TS-303PZL110	STUD, FLUID CYLINDER TO FRAME (LOWER)	6
6	TS-301PZL110	STUD, THREADED RING & DISCHARGE MANIFOLD	84
7	TS-50B36	NUT (FOR ABOVE)	168
8	TS-303PZL316	SEAL, WEAR PLATE	3
9	TS-302PZL483	GUIDE, VALVE (UPPER)	3
10	TS-301PZL234	WEAR PLATE	3
11	TS-301PZL205	RETAINER, VALVE GUIDE	3
12	TS-309PZL316	SEAL, CYLINDER HEAD & VALVE COVER	6
13	TS-302PZL147	COVER, VALVE(UPPER)	3
14	TS-15P27	EYE BOLT	6
15	TS-300PZL387	RING, THREADED	6
16	TS-300PZL587	COVER LOCK	6
17	TS-25BE41	GASKET, SUCTION MANIFOLD	3
18	TS-655EG10N	SCREW, SUCTION MANIFOLD	24
19	TS-302PZL316	GASKET, DISCHARGE MANIFOLD	3
20	TS-300PZL229	BUSHING	12
21	TS-303PZL147	COVER, VALVE(LOWER)	3
22	TS-303PZL483	GUIDE, VALVE (LOWER)	3
23	TS-300PZL455	LINER CLAMP	3
24	TMPZ11HP-STUDSET	PZ-11 HP STUDS AND NUTS SET (INCLUDES 12 PCS TS-302PZL110, 2 PCS TS-300PZL110, 2 PCS TS-303PZL110, 56 PCS TS-50B36, 28 PCS TS-302PZL110)	3
25	TMPZ11HP-SEALKIT	PZ-11 HP MODULE SEAL KIT (INCLUDES TWO TS-309PZL316, ONE TS-303PZL316, ONE TS-25BE41, ONE TS-302PZL316)	3

TSC does not warrant or represent that any of such information is accurate, or that any products listed are compatible with each other.  
Any deviations from the OEM products should be verified as to compatibility.

FLUID END MODULE & ACCESSORIES

**IDECO T-500, T-800, T-1000**  
**TSC Manufacturing and Supply, LLC.**



TSC Manufacturing and Supply LLC, 13788 West Road, Suite 100, Houston, Texas 77041, USA  
Tel: +1 832 456 3900 Fax: +1 832 456 3998 E-mail: sales@t-s-c.com

## FLUID END MODULE &amp; ACCESSORIES

## IDECO T-500, T-800, T-1000

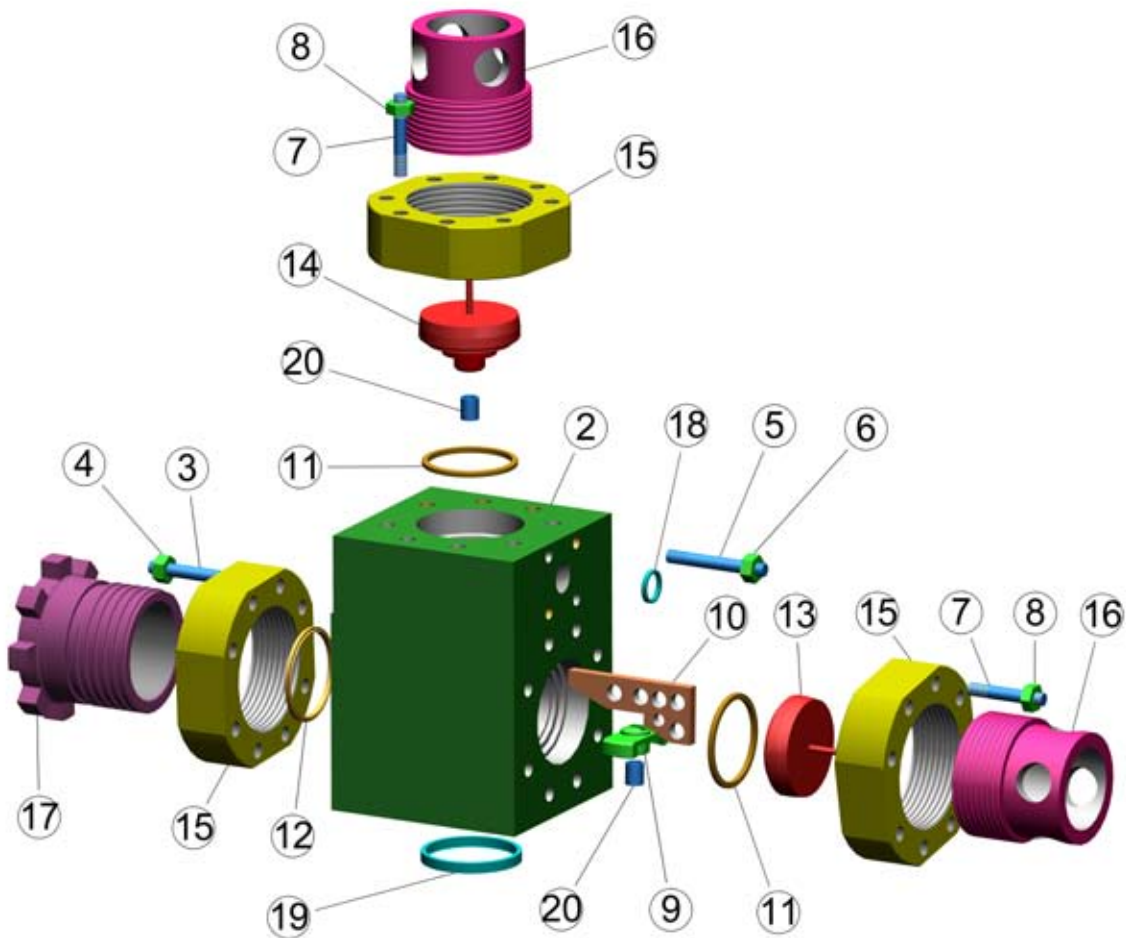
ITEM	PART NUMBER	DESCRIPTION	QTY/PUMP
	TS-FEMIDT1000CA	FLUID END MODULE COMPLETE ASSEMBLY (INCLUDES ITEM 2-11, 13-20)	3
1	TS-551-458	FLUID END MODULE STUDDER (INCLUDES ITEM 2-8)	3
2	TS-551-458U	FLUID END MODULE ONLY	3
3	TS-551-410-01	STUD, POWER FRAME	24
4	TS-IN-146	NUT, POWER FRAME STUD	24
5	TS-551-410-02	STUD, DISCHARGE MANIFOLD	12
6	TS-IN-146	NUT, DISCHARGE MANIFOLD STUD	12
7	TS-551-410-03	STUD, THREADED RING	48
8	TS-IN-146	NUT, THREADED RING STUD	48
9	TS-551-405-07	LOWER VALVE GUIDE ASSEMBLY (INCLUDES ITEM 20)	3
10	TS-551-422-04	RETAINER, LOWER VALVE GUIDE	3
11	TS-BTM16696309	GASKET, VALVE COVER, CYLINDER HEAD (G-783 *)	6
12	G-783	LINER GASKET	3
13	TS-551-422-02	PLUG, CYLINDER HEAD	3
14	TS-551-405-03	THREADED RING	9
15	TS-551-405-04	THREADED PLUG RETAINER	6
16	TS-551-422-03	PLUG, CYLINDER HEAD (TOP)	3
17	TS-551-405-05	NUT, LINER RETAINER	3
18	TS-IO-548	GASKET, DISCHARGE MANIFOLD	3
19	TS-IO-507	GASKET, SUCTION MANIFOLD	3
20	TS-551-405-09	BUSHING, VALVE GUIDE	3
21	TMT10-STUDSET	T-500 STUDS AND NUTS SET (INCLUDES 8 PCS TS-551-410-01, 4 PCS TS-551-410-02, 16 PCS TS-551-410-03, 28 PCS TS-IN-146)	3
22	TMT10-SEALKIT	T-500 MODULE SEAL KIT (INCLUDES TWO G-783*, ONE TS-IO-548, ONE TS-IO-521)	3

TSC does not warrant or represent that any of such information is accurate, or that any products listed are compatible with each other.  
Any deviations from the OEM products should be verified as to compatibility.



FLUID END MODULE & ACCESSORIES

**IDECO T-1300, T-1600**  
**TSC Manufacturing and Supply, LLC.**



TSC Manufacturing and Supply LLC, 13788 West Road, Suite 100, Houston, Texas 77041, USA  
Tel: +1 832 456 3900 Fax: +1 832 456 3998 E-mail: sales@t-s-c.com

## FLUID END MODULE &amp; ACCESSORIES

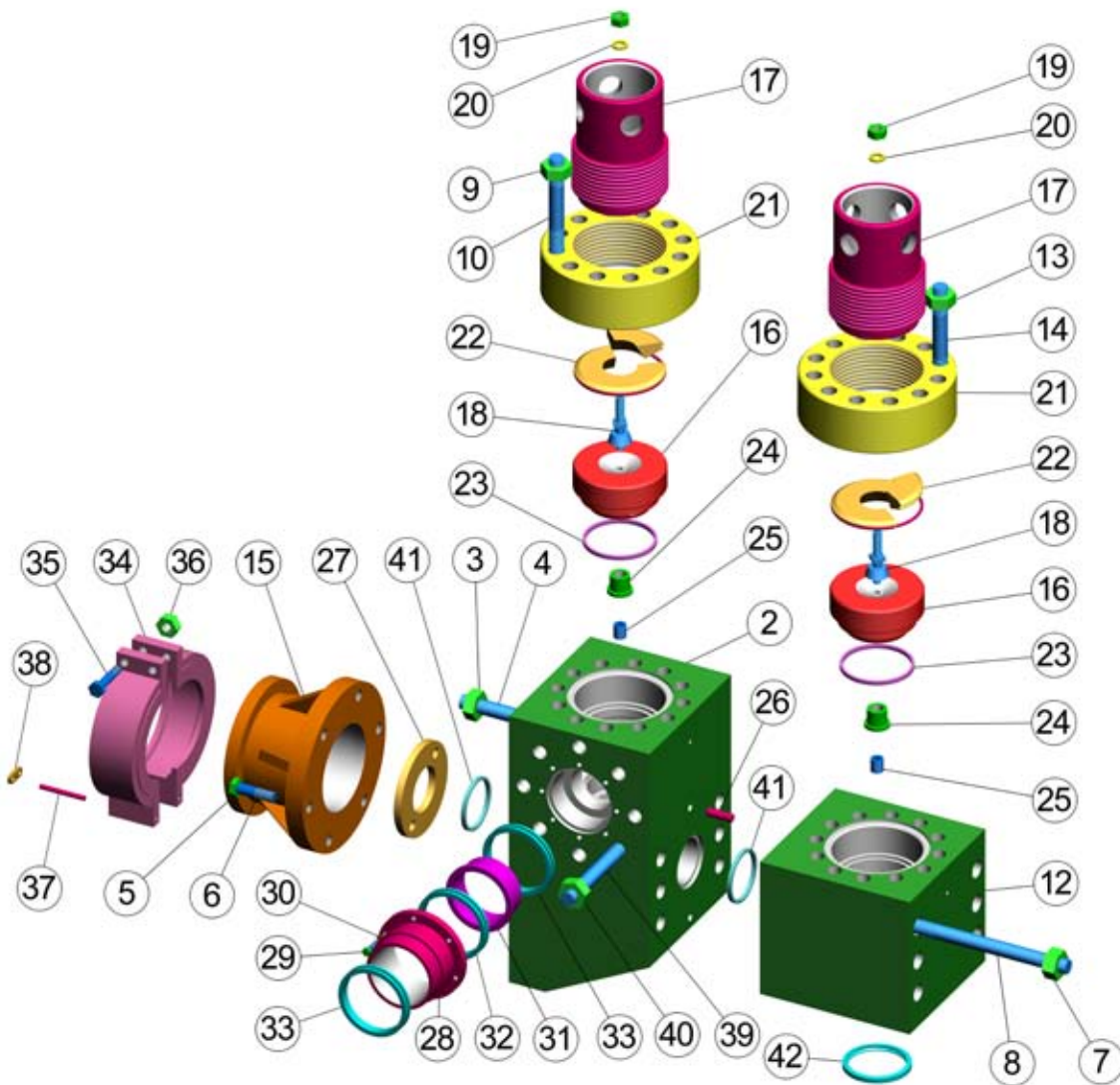
## IDECO T-1300, T-1600

ITEM	PART NUMBER	DESCRIPTION	QTY/PUMP
	TS-FEMIDT1316CA	FLUID END MODULE COMPLETE ASSEMBLY (INCLUDES ITEM 2-11, 13-21)	3
1	TS-551-122-01	MODULE, FLUID END STUDED (INCLUDES ITEM 2-8)	3
2	TS-551-158	MODULE, FLUID END ONLY	3
3	TS-551-110-01	STUD, POWER FRAME	24
4	TS-IN-415	NUT, POWER FRAME STUD	24
5	TS-551-110-02	STUD, DISCHARGE MANIFOLD	12
6	TS-IN-416	NUT, DISCHARGE MANIFOLD STUD	12
7	TS-551-110-03	STUD, THREADED RING	48
8	TS-IN-415	NUT, THREADED RING STUD	48
9	TS-551-105-07	ASSEMBLY, LOWER VALVE GUIDE (INCLUDES ITEM 20)	3
10	TS-551-105-08	RETAINER, LOWER VALVE GUIDE	3
11	TS-BTM16696308	GASKET, VALVE COVER, CYLINDER HEAD (G-782 *)	6
12	G-782	LINER GASKET	3
13	TS-551-122-02	PLUG, CYLINDER HEAD	3
14	TS-551-122-02T	PLUG, CYLINDER HEAD (TOP)	3
15	TS-551-105-03	RING, THREADED	9
16	TS-551-105-04	CAP, THREADED	6
17	TS-551-105-05	NUT, LINER RETAINER	3
18	TS-IO-548	GASKET, DISCHARGE MANIFOLD	3
19	TS-IO-507	GASKET, SUCTION MANIFOLD	3
20	TS-551-105-09	BUSHING, VALVE GUIDE	6
21	TMT16-STUDSET	T-1300/1600 STUDS AND NUTS SET (INCLUDES 8 PCS TS-551-110-01, 4 PCS TS-551-110-02, 16 PCS TS-551-110-03, 24 PCS TS-IN415, 4 PCS TS- IN416)	3
22	TMT16-SEALKIT	T-1300/1600 MODULE SEAL KIT (INCLUDES TWO G-782*, ONE TS-IO-548, ONE TS-IO-507)	3

TSC does not warrant or represent that any of such information is accurate, or that any products listed are compatible with each other.  
Any deviations from the OEM products should be verified as to compatibility.

FLUID END MODULE & ACCESSORIES

**NATIONAL 8-P-80**  
**TSC Manufacturing and Supply, LLC.**



TSC Manufacturing and Supply LLC, 13788 West Road, Suite 100, Houston, Texas 77041, USA  
Tel: +1 832 456 3900 Fax: +1 832 456 3998 E-mail: sales@t-s-c.com

## FLUID END MODULE &amp; ACCESSORIES

## NATIONAL 8-P-80

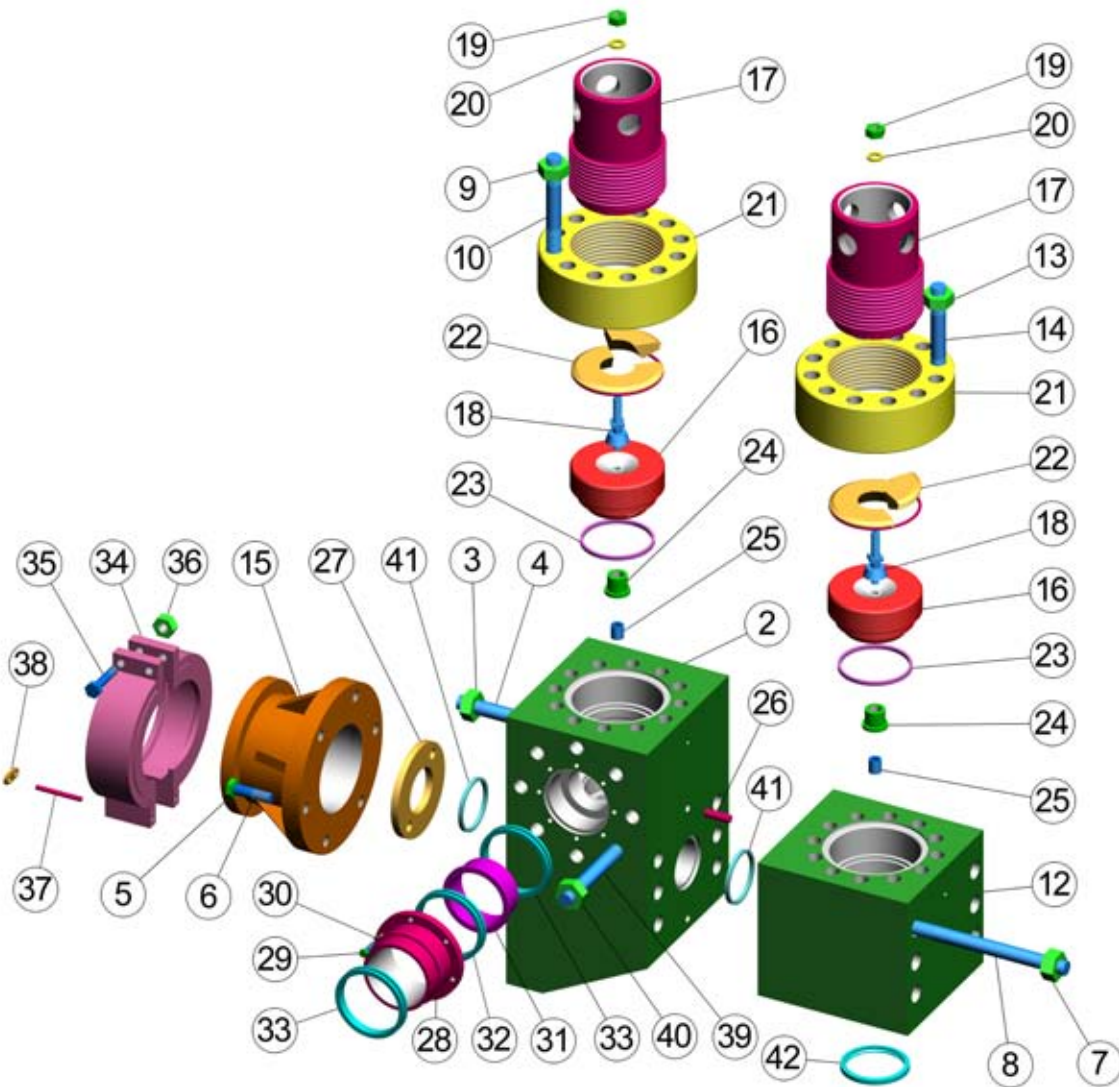
ITEM	PART NUMBER	DESCRIPTION	QTY/PUMP
	TS-FEMNAT8PCA	FLUID END MODULE COMPLETE ASSEMBLY	3
1	TS-1291280	MODULE, STUDED FLUID END DISCHARGE(INCLUDES ITEM 2-10)	3
2	TS-1291281	DISCHARGE MODULE ONLY	3
3	TS-6300180	NUT, POWER FRAME STUD	24
4	TS-2408026	STUD, POWER FRAME	24
5	TS-6300120	NUT, LINER BUSHING STUD	18
6	TS-2408025	STUD, LINER BUSHING	18
7	TS-6300241	NUT, DISCHARGE TO SUCTION MODULE STUD	18
8	TS-2408034	STUD, DISCHARGE MODULE TO SUCTION MODULE	18
9	TS-6300220	NUT, THREADED RING STUD	36
10	TS-2408019	STUD, THREADED RING	36
11	TS-1290338	MODULE, STUDED FLUID END SUCTION(INCLUDES ITEM 12-14)	3
12	TS-1290339	SUCTION MODULE ONLY	3
13	TS-6300220	NUT, THREADED RING STUD	36
14	TS-2408019	STUD, THREADED RING	36
15	TS-1291165	BUSHING, LINER	3
16	TS-1290174	RETAINER, SEAL	6
17	TS-1290307	CAP, VALVE COVER (THREADED)	6
18	TS-1290178	SCREW, ADJUSTING WEDGE	6
19	TS-6300160	NUT, WEDGE ADJUSTING SCREW	6
20	TS-1290315	WASHER, WEDGE ADJUSTING SCREW	6
21	TS-1290308	RING, THREADED	6
22	TS-G-1290376	LOCKING WEDGE ASSEMBLY	6
23	TS-1540126	GASKET, VALVE COVER (G-768Z)	6
24	TS-1292140	RETAINER, VALVE GUIDE BUSHING	6
25	TS-1292141	BUSHING, VALVE GUIDE	6
26	TS-6511416	PIN, DOWELL	6
27	TS-1290357	PLATE, WEAR	3
28	TS-1290342	CONNECTOR, DISCHARGE	2
29	TS-700030511	CAPSCREW, DISCHARGE CONNECTOR	16
30	TS-7619050	WASHER, LOCK 1/2"	16
31	TS-1290343	ADAPTER, DISCHARGE CONNECTOR	2
32	TS-2410031348	SEAL, DISCHARGE CONNECTOR TO DISCHARGE ADAPTER	2
33	TS-2410031427	SEAL, DISCHARGE CONNECTOR & DISCHARGE ADAPTER	4
34	TS-1291166	ASSEMBLY, LINER CLAMP	3
35	TS-700040311	CAPSCREW, LINER CLAMP	6
36	TS-6309100	NUT, LINER CAPSCREW	6
37	TS-1291169	PIN, CONNECTOR	6
38	TS-1291168	CONNECTOR, LINER CLAMP	6
39	TS-2402560	STUD, TOP TAPER LOCK	16
40	TS-6300200	NUT, STUD	16
41	TS-1290344	SEAL, MODULE & WEAR PLATE	6
42	TS-1590051	SEAL, SUCTION MANIFOLD	3

TSC does not warrant or represent that any of such information is accurate, or that any products listed are compatible with each other.  
Any deviations from the OEM products should be verified as to compatibility.

TSC Manufacturing and Supply LLC, 13788 West Road, Suite 100, Houston, Texas 77041, USA  
Tel: +1 832 456 3900 Fax: +1 832 456 3998 E-mail: sales@t-s-c.com

FLUID END MODULE & ACCESSORIES

**NATIONAL 9-P-100**  
**TSC Manufacturing and Supply, LLC.**



TSC Manufacturing and Supply LLC, 13788 West Road, Suite 100, Houston, Texas 77041, USA  
Tel: +1 832 456 3900 Fax: +1 832 456 3998 E-mail: sales@t-s-c.com

## FLUID END MODULE &amp; ACCESSORIES

## NATIONAL 9-P-100

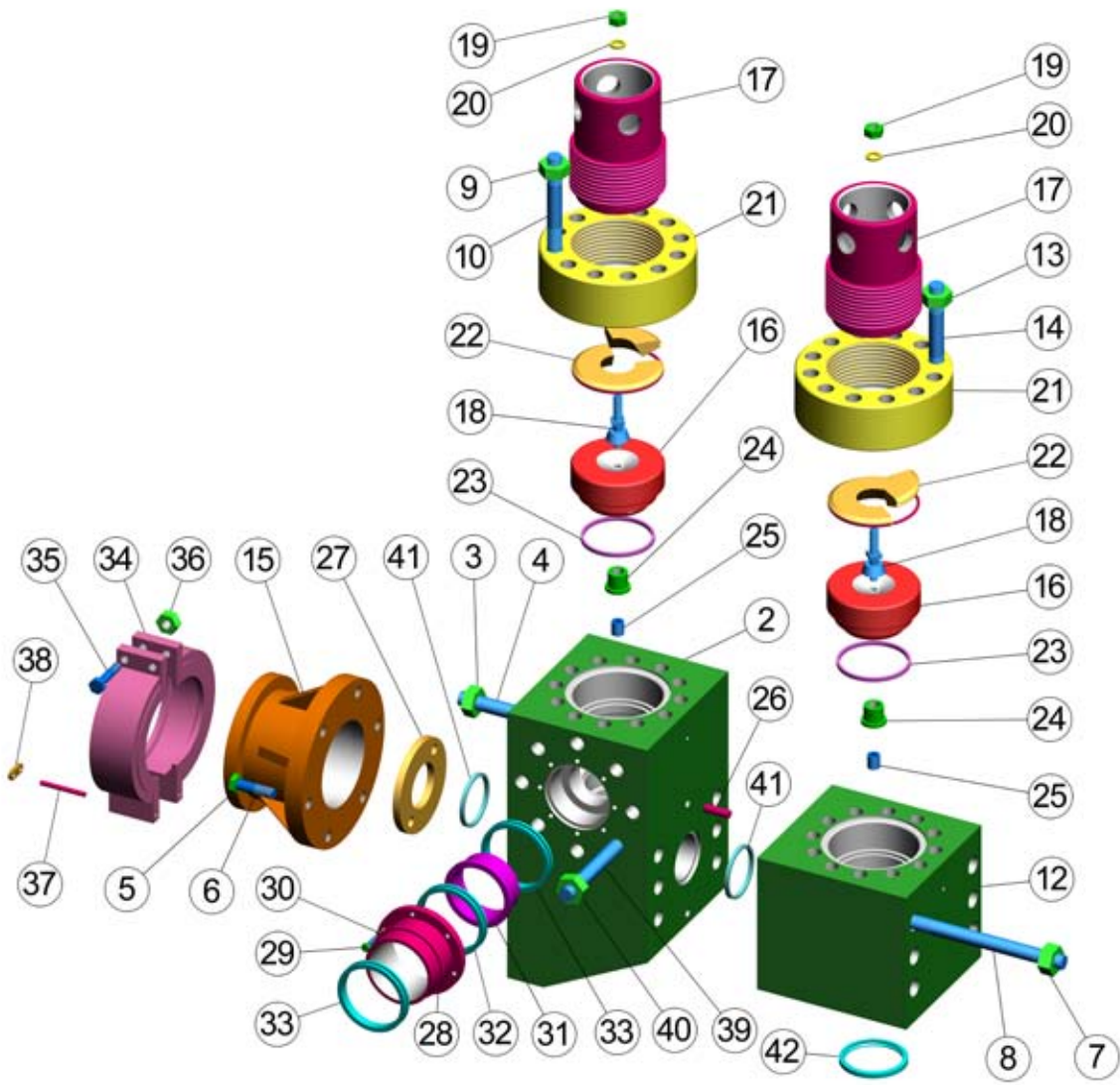
ITEM	PART NUMBER	DESCRIPTION	QTY/PUMP
	TS-FEMNAT9PCA	FLUID END MODULE COMPLETE ASSEMBLY	3
1	TS-1293240	MODULE, STUDED FLUID END DISCHARGE(INCLUDES ITEM 2-10)	3
2	TS-1293241	DISCHARGE MODULE ONLY	3
3	TS-6300200	NUT, POWER FRAME STUD	24
4	TS-2408030	STUD, POWER FRAME	24
5	TS-6300160	NUT, LINER BUSHING STUD	18
6	TS-2408018	STUD, LINER BUSHING	18
7	TS-6300241	NUT, DISCHARGE TO SUCTION MODULE STUD	18
8	TS-2408034	STUD, DISCHARGE MODULE TO SUCTION MODULE	18
9	TS-6300220	NUT, THREADED RING STUD	36
10	TS-2408019	STUD, THREADED RING	36
11	TS-1290338	MODULE, STUDED FLUID END SUCTION(INCLUDES ITEM 12-14)	3
12	TS-1290339	SUCTION MODULE ONLY	3
13	TS-6300220	NUT, THREADED RING STUD	36
14	TS-2408019	STUD, THREADED RING	36
15	TS-1293165	BUSHING, LINER	3
16	TS-1290174	RETAINER, SEAL	6
17	TS-1290307	CAP, VALVE COVER (THREADED)	6
18	TS-1290178	SCREW, ADJUSTING WEDGE	6
19	TS-6300160	NUT, WEDGE ADJUSTING SCREW	6
20	TS-1290315	WASHER, WEDGE ADJUSTING SCREW	6
21	TS-1290308	RING, THREADED	6
22	TS-G-1290376	LOCKING WEDGE ASSEMBLY	6
23	TS-1540126	GASKET, VALVE COVER	6
24	TS-1292140	RETAINER, VALVE GUIDE BUSHING	6
25	TS-1292141	BUSHING, VALVE GUIDE	6
26	TS-6511416	PIN, DOWELL	6
27	TS-1290357	PLATE, WEAR	3
28	TS-1290342	CONNECTOR, DISCHARGE	2
29	TS-700030511	CAPSCREW, DISCHARGE CONNECTOR	16
30	TS-7619050	WASHER, LOCK 1/2"	16
31	TS-1290343	ADAPTER, DISCHARGE CONNECTOR	2
32	TS-2410031348	SEAL, DISCHARGE CONNECTOR TO DISCHARGE ADAPTER	2
33	TS-2410031427	SEAL, DISCHARGE CONNECTOR & DISCHARGE ADAPTER	4
34	TS-1293166	ASSEMBLY, LINER CLAMP (INCLUDES ITEM 32,33,34,35,36,37)	3
35	TS-700044811	CAPSCREW, LINER CLAMP	6
36	TS-6309120	NUT, 3/4" LOCK TYPE	6
37	TS-1290169	PIN, CONNECTOR	6
38	TS-1290168	CONNECTOR, LINER CLAMP	6
39	TS-2402560	STUD, TOP TAPER LOCK	16
40	TS-6300200	NUT, STUD (BLIND RING AND WELD NECK FLANGES)	16
41	TS-1290344	SEAL, MODULE & WEAR PLATE	6
42	TS-1590051	SEAL, SUCTION MANIFOLD	3

TSC does not warrant or represent that any of such information is accurate, or that any products listed are compatible with each other.  
Any deviations from the OEM products should be verified as to compatibility.

TSC Manufacturing and Supply LLC, 13788 West Road, Suite 100, Houston, Texas 77041, USA  
Tel: +1 832 456 3900 Fax: +1 832 456 3998 E-mail: sales@t-s-c.com

FLUID END MODULE & ACCESSORIES

**NATIONAL 10-P-130**  
**TSC Manufacturing and Supply, LLC.**



TSC Manufacturing and Supply LLC, 13788 West Road, Suite 100, Houston, Texas 77041, USA  
Tel: +1 832 456 3900 Fax: +1 832 456 3998 E-mail: sales@t-s-c.com

## FLUID END MODULE &amp; ACCESSORIES

## NATIONAL 10-P-130

ITEM	PART NUMBER	DESCRIPTION	QTY/PUMP
	TS-FEMNAT10PCA	FLUID END MODULE COMPLETE ASSEMBLY	3
1	TS-1290335	MODULE, STUDED FLUID END DISCHARGE(INCLUDES ITEM 2-10)	3
2	TS-1290336	DISCHARGE MODULE ONLY	3
3	TS-6300240	NUT, POWER FRAME STUD	24
4	TS-2408020	STUD, POWER FRAME	24
5	TS-6300160	NUT, LINER BUSHING STUD	18
6	TS-2408018	STUDS, 1" x 5-7/8" DISCHARGE TO LINER BUSHING	18
7	TS-6300241	NUT, DISCHARGE TO SUCTION MODULE STUD	18
8	TS-2408034	STUD, DISCHARGE MODULE TO SUCTION MODULE	18
9	TS-6300220	NUT, THREADED RING STUD	36
10	TS-2408019	STUD, THREADED RING	36
11	TS-1290338	MODULE, STUDED FLUID END SUCTION(INCLUDES ITEM 12-14)	3
12	TS-1290339	SUCTION MODULE ONLY	3
13	TS-6300220	NUT, THREADED RING STUD	36
14	TS-2408019	STUD, THREADED RING	36
15	TS-1290165	BUSHING, LINER	3
16	TS-1290174	RETAINER, SEAL	6
17	TS-1290307	CAP, VALVE COVER (THREADED)	6
18	TS-1290178	SCREW, ADJUSTING WEDGE	6
19	TS-6300160	NUT, WEDGE ADJUSTING SCREW	6
20	TS-1290315	WASHER, WEDGE ADJUSTING SCREW	6
21	TS-1290308	RING, THREADED	6
22	TS-G-1290376	LOCKING WEDGE ASSEMBLY	6
23	TS-1540126	GASKET, VALVE COVER	6
24	TS-1292140	RETAINER, VALVE GUIDE BUSHING	6
25	TS-1292141	BUSHING, VALVE GUIDE	6
26	TS-6511416	PIN, DOWELL	6
27	TS-1290357	PLATE, WEAR	3
28	TS-1290342	CONNECTOR, DISCHARGE	2
29	TS-700030511	CAPSCREW, DISCHARGE CONNECTOR	16
30	TS-7619050	WASHER, LOCK 1/2"	16
31	TS-1290343	ADAPTER, DISCHARGE CONNECTOR	2
32	TS-2410031348	SEAL, SUCTION CONNECTOR TO DISCHARGE ADAPTER	2
33	TS-2410031427	SEAL, DISCHARGE CONNECTOR TO DISCHARGE ADAPTER	4
34	TS-1290167	ASSEMBLY, LINER CLAMP	3
35	TS-700044811	CAPSCREW, LINER CLAMP	6
36	TS-6309120	NUT, LINER CAPSCREW	6
37	TS-1290169	PIN, CONNECTOR	6
38	TS-1290168	CONNECTOR, LINER CLAMP	6
39	TS-2402560	STUD, TOP TAPER LOCK	16
40	TS-6300200	NUT, 1-1/4" HVY HEX	16
41	TS-1290344	SEAL, MODULE & WEAR PLATE	6
42	TS-1590051	SEAL, SUCTION MANIFOLD	3

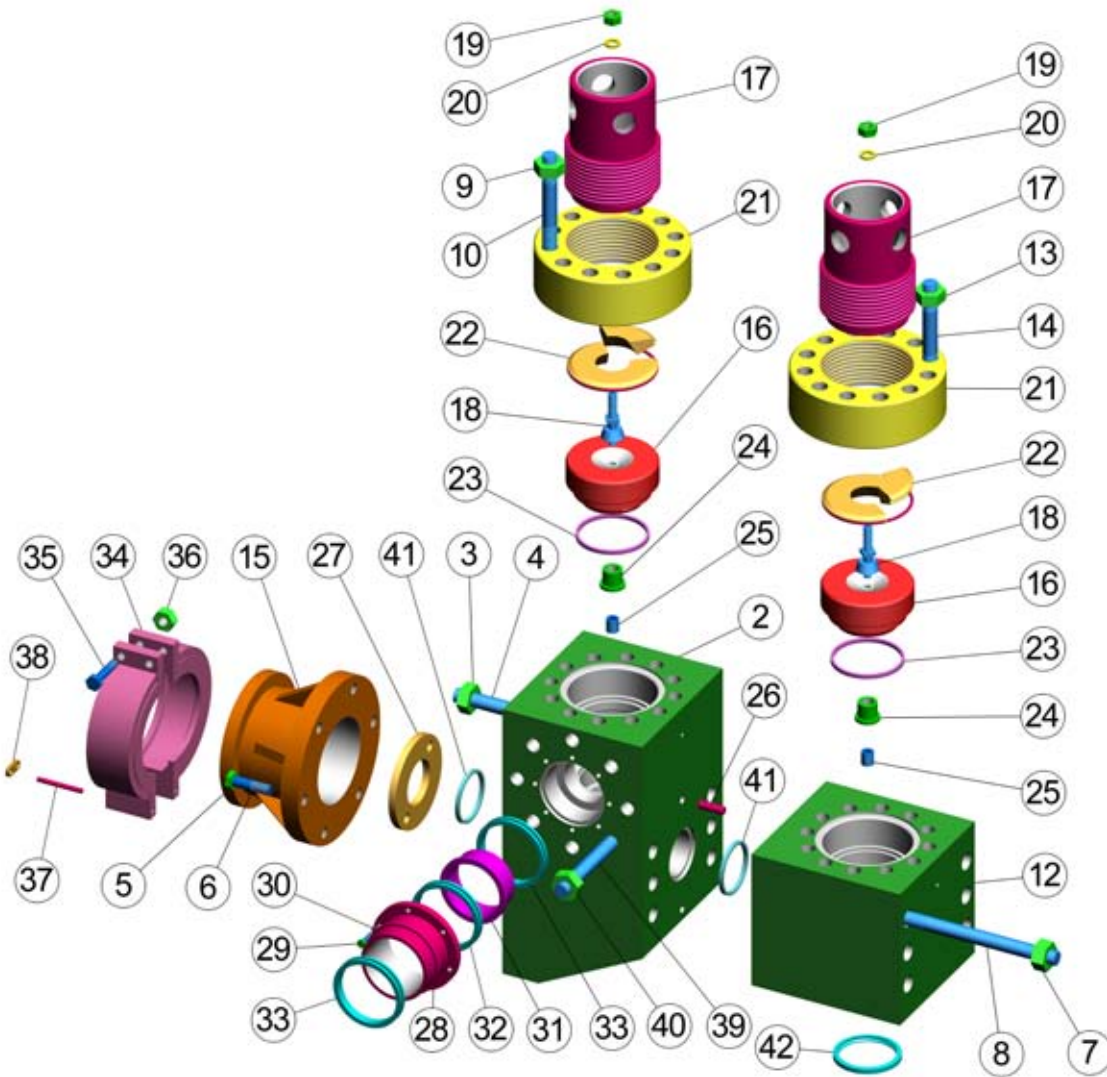
TSC does not warrant or represent that any of such information is accurate, or that any products listed are compatible with each other.  
Any deviations from the OEM products should be verified as to compatibility.

TSC Manufacturing and Supply LLC, 13788 West Road, Suite 100, Houston, Texas 77041, USA  
Tel: +1 832 456 3900 Fax: +1 832 456 3998 E-mail: sales@t-s-c.com



FLUID END MODULE & ACCESSORIES

**NATIONAL 12-P-160**  
**TSC Manufacturing and Supply, LLC.**



TSC Manufacturing and Supply LLC, 13788 West Road, Suite 100, Houston, Texas 77041, USA  
Tel: +1 832 456 3900 Fax: +1 832 456 3998 E-mail: sales@t-s-c.com

## FLUID END MODULE &amp; ACCESSORIES

## NATIONAL 12-P-160

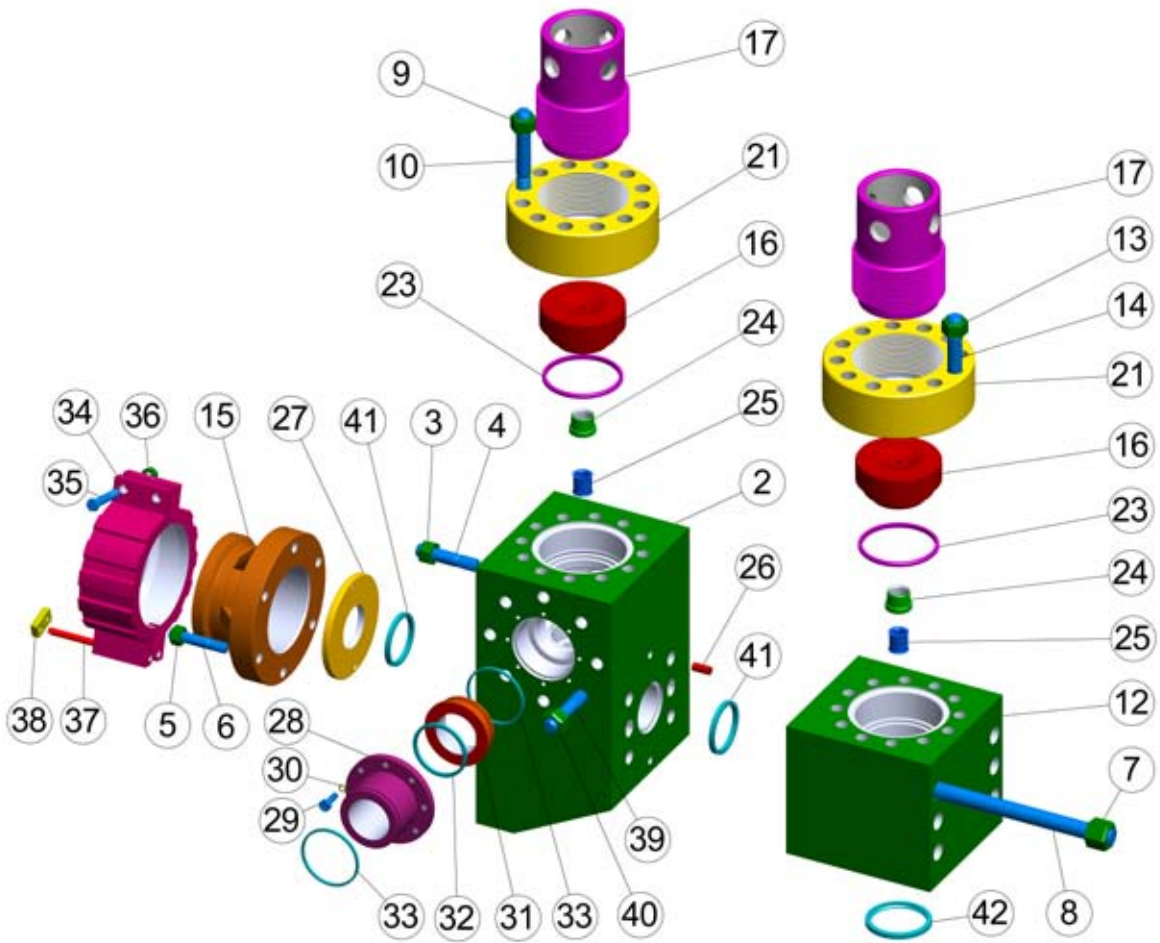
ITEM	PART NUMBER	DESCRIPTION	QTY/PUMP
	TS-FEMNAT12PCA	FLUID END MODULE COMPLETE ASSEMBLY	3
1	TS-1292240	MODULE, STUDED FLUID END DISCHARGE(INCLUDES ITEM 2-10)	3
2	TS-1292241	DISCHARGE MODULE ONLY	3
3	TS-6300220	NUT, POWER FRAME STUD	30
4	TS-2408029	STUD, POWER FRAME	30
5	TS-6300180	NUT, LINER BUSHING STUD	18
6	TS-2408028	STUD, LINER BUSHING	18
7	TS-6300281	NUT, DISCHARGE TO SUCTION MODULE STUD	18
8	TS-2408033	STUD, DISCHARGE MODULE TO SUCTION MODULE	18
9	TS-6300240	NUT, THREADED RING STUD	36
10	TS-2408027	STUD, THREADED RING	36
11	TS-1292243	MODULE, STUDED FLUID END SUCTION(INCLUDES ITEM 12,13,14 )	3
12	TS-1292244	SUCTION MODULE ONLY	3
13	TS-6300240	NUT, THREADED RING STUD	36
14	TS-2408027	STUD, THREADED RING	36
15	TS-1292165	BUSHING, LINER	3
16	TS-1292174	RETAINER, SEAL	6
17	TS-1292172	CAP, VALVE COVER (THREADED)	6
18	TS-1292178	SCREW, ADJUSTING WEDGE	6
19	TS-6300182	NUT, WEDGE ADJUSTING SCREW	6
20	TS-1292171	WASHER, WEDGE ADJUSTING SCREW	6
21	TS-1292176	RING, THREADED	6
22	TS-G-1292268	LOCKING WEDGE ASSEMBLY	6
23	TS-1540127	GASKET, VALVE COVER	6
24	TS-1292140	RETAINER, VALVE GUIDE BUSHING	6
25	TS-1292141	BUSHING, VALVE GUIDE	6
26	TS-6511416	PIN, DOWELL	6
27	TS-1292266	PLATE, WEAR	3
28	TS-1292252	CONNECTOR, DISCHARGE	2
29	TS-700030711	CAPSCREW, DISCHARGE CONNECTOR	16
30	N/A	WASHER, LOCK	16
31	TS-1292253	ADAPTER, DISCHARGE CONNECTOR	2
32	TS-2410031433	SEAL, DISCHARGE CONNECTOR TO DISCHARGE ADAPTER	2
33	TS-2410031437	SEAL, DISCHARGE CONNECTOR & DISCHARGE ADAPTER	4
34	TS-1292166	ASSEMBLY, LINER CLAMP	3
35	TS-700049110	CAPSCREW, LINER CLAMP	6
36	TS-6309140	NUT, LINER CAPSCREW	6
37	TS-1292169	PIN, CONNECTOR	6
38	TS-1292168	CONNECTOR, LINER CLAMP	6
39	TS-2408015	STUD, TOP TAPER LOCK (FOR BLIND RING AND WELD NECK FLANGES)	16
40	TS-6300240	NUT, STUD (BLIND RING AND WELD NECK FLANGES)	16
41	TS-1292257	SEAL, MODULE & WEAR PLATE	6
42	TS-1540851	SEAL, SUCTION MANIFOLD	3

TSC does not warrant or represent that any of such information is accurate, or that any products listed are compatible with each other.  
Any deviations from the OEM products should be verified as to compatibility.

TSC Manufacturing and Supply LLC, 13788 West Road, Suite 100, Houston, Texas 77041, USA  
Tel: +1 832 456 3900 Fax: +1 832 456 3998 E-mail: sales@t-s-c.com

FLUID END MODULE & ACCESSORIES

**NATIONAL 12-P-160 (FAST CHANGE)**  
**TSC Manufacturing and Supply, LLC.**



TSC Manufacturing and Supply LLC, 13788 West Road, Suite 100, Houston, Texas 77041, USA  
 Tel: +1 832 456 3900 Fax: +1 832 456 3998 E-mail: sales@t-s-c.com

## FLUID END MODULE &amp; ACCESSORIES

## NATIONAL 12-P-160 (FAST CHANGE)

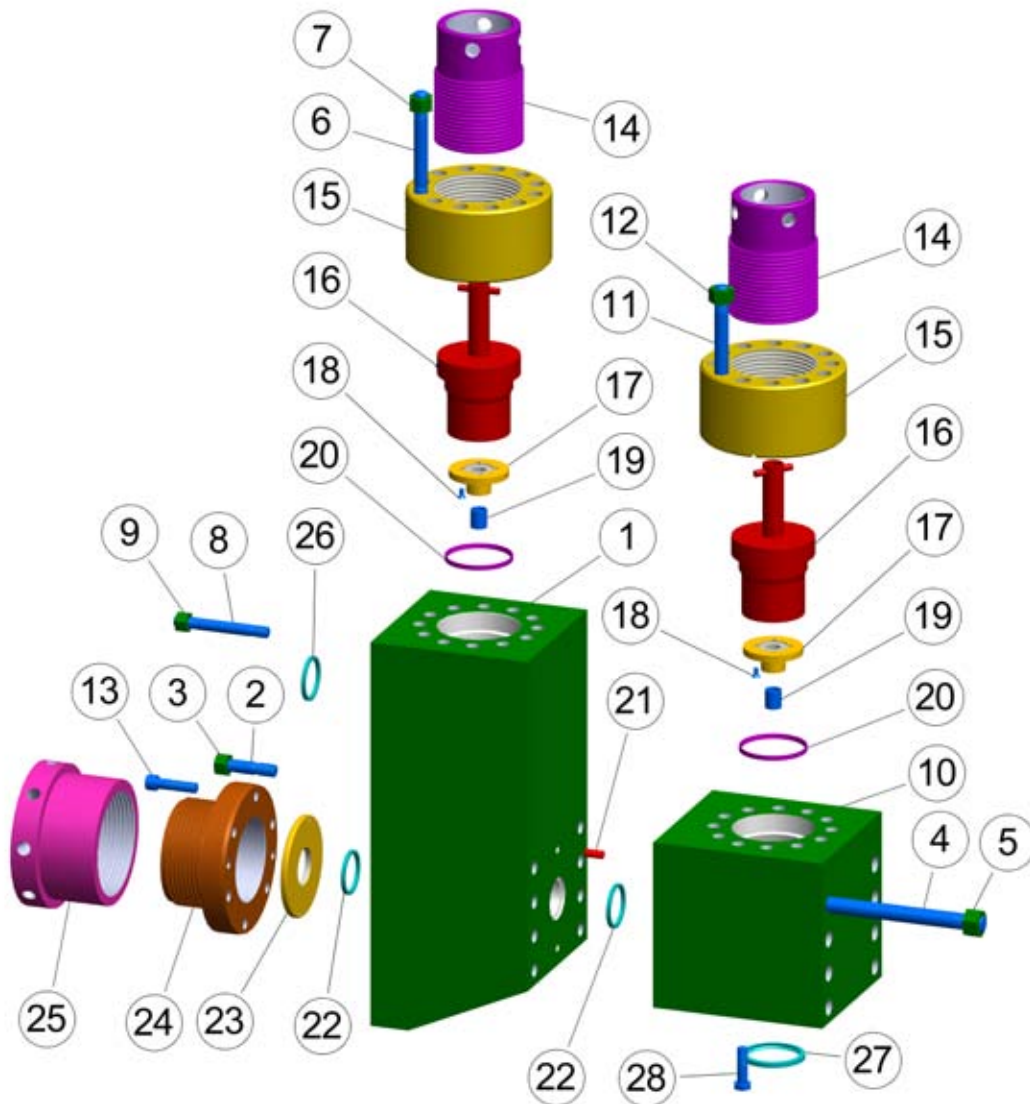
ITEM	PART NUMBER	DESCRIPTION	QTY/PUMP
	TS-FEMNAT12PFCCA	FLUID END MODULE COMPLETE ASSEMBLY	
1	TS-1292361	MODULE, STUDED FLUID END DISCHARGE (INCLUDES ITEM 2-10)	3
2	TS-1292241	DISCHARGE MODULE ONLY	3
3	TS-6300220	NUT, POWER FRAME STUD	30
4	TS-2408029	STUD, POWER FRAME	30
5	TS-6300180	NUT, LINER BUSHING STUD	18
6	TS-2408028	STUD, LINER BUSHING	18
7	TS-6300281	NUT, DISCHARGE TO SUCTION MODULE STUD	18
8	TS-2408033	STUD, DISCHARGE MODULE TO SUCTION MODULE	18
9	TS-6300240	NUT, THREADED RING STUD	36
10	TS-2408049	STUD, THREADED RING	36
11	TS-1292362	MODULE, STUDED FLUID END SUCTION (INCLUDES ITEM 12,13,14 )	3
12	TS-1292244	SUCTION MODULE ONLY	3
13	TS-6300240	NUT, THREADED RING STUD	36
14	TS-2408049	STUD, THREADED RING	36
15	TS-1292165	BUSHING, LINER	3
16	TS-1292350	RETAINER, SEAL	6
17	TS-1292352	CAP, VALVE COVER (THREADED)	6
21	TS-1292351	RING, THREADED	6
23	TS-1540127	GASKET, VALVE COVER	6
24	TS-1292140	RETAINER, VALVE GUIDE BUSHING	6
25	TS-1292141	BUSHING, VALVE GUIDE	6
26	TS-6511416	PIN, DOWELL	6
27	TS-1292266	PLATE, WEAR	3
28	TS-1292252	CONNECTOR, DISCHARGE	2
29	TS-700030711	CAPSCREW, DISCHARGE CONNECTOR	16
30	N/A	WASHER, LOCK	16
31	TS-1292253	ADAPTER, DISCHARGE CONNECTOR	2
32	TS-2410031433	SEAL, DISCHARGE CONNECTOR TO DISCHARGE ADAPTER	2
33	TS-2410031437	SEAL, DISCHARGE CONNECTOR & DISCHARGE ADAPTER	4
34	TS-1292166	ASSEMBLY, LINER CLAMP	3
35	TS-700049110	CAPSCREW, LINER CLAMP	6
36	TS-6309140	NUT, LINER CAPSCREW	6
37	TS-1292169	PIN, CONNECTOR	6
38	TS-1292168	CONNECTOR, LINER CLAMP	6
39	TS-2408015	STUD, TOP TAPER LOCK (FOR BLIND RING AND WELD NECK FLANGES)	16
40	TS-6300240	NUT, STUD (BLIND RING AND WELD NECK FLANGES)	16
41	TS-1292257	SEAL , PLATE WEAR	6
42	TS-1540851	SEAL,SUCTION MANIFOLD	3
39	TS-2408015	STUD, TOP TAPER LOCK (FOR BLIND RING AND WELD NECK FLANGES)	16
40	TS-6300240	NUT, STUD (BLIND RING AND WELD NECK FLANGES)	16
41	TS-1292257	SEAL, MODULE & WEAR PLATE	6
42	TS-1540851	SEAL, SUCTION MANIFOLD	3

TSC does not warrant or represent that any of such information is accurate, or that any products listed are compatible with each other.  
Any deviations from the OEM products should be verified as to compatibility.

TSC Manufacturing and Supply LLC, 13788 West Road, Suite 100, Houston, Texas 77041, USA  
Tel: +1 832 456 3900 Fax: +1 832 456 3998 E-mail: sales@t-s-c.com

FLUID END MODULE & ACCESSORIES

**NATIONAL 12-P-160 (7500 PSI)**  
**TSC Manufacturing and Supply, LLC.**



TSC Manufacturing and Supply LLC, 13788 West Road, Suite 100, Houston, Texas 77041, USA  
 Tel: +1 832 456 3900 Fax: +1 832 456 3998 E-mail: sales@t-s-c.com

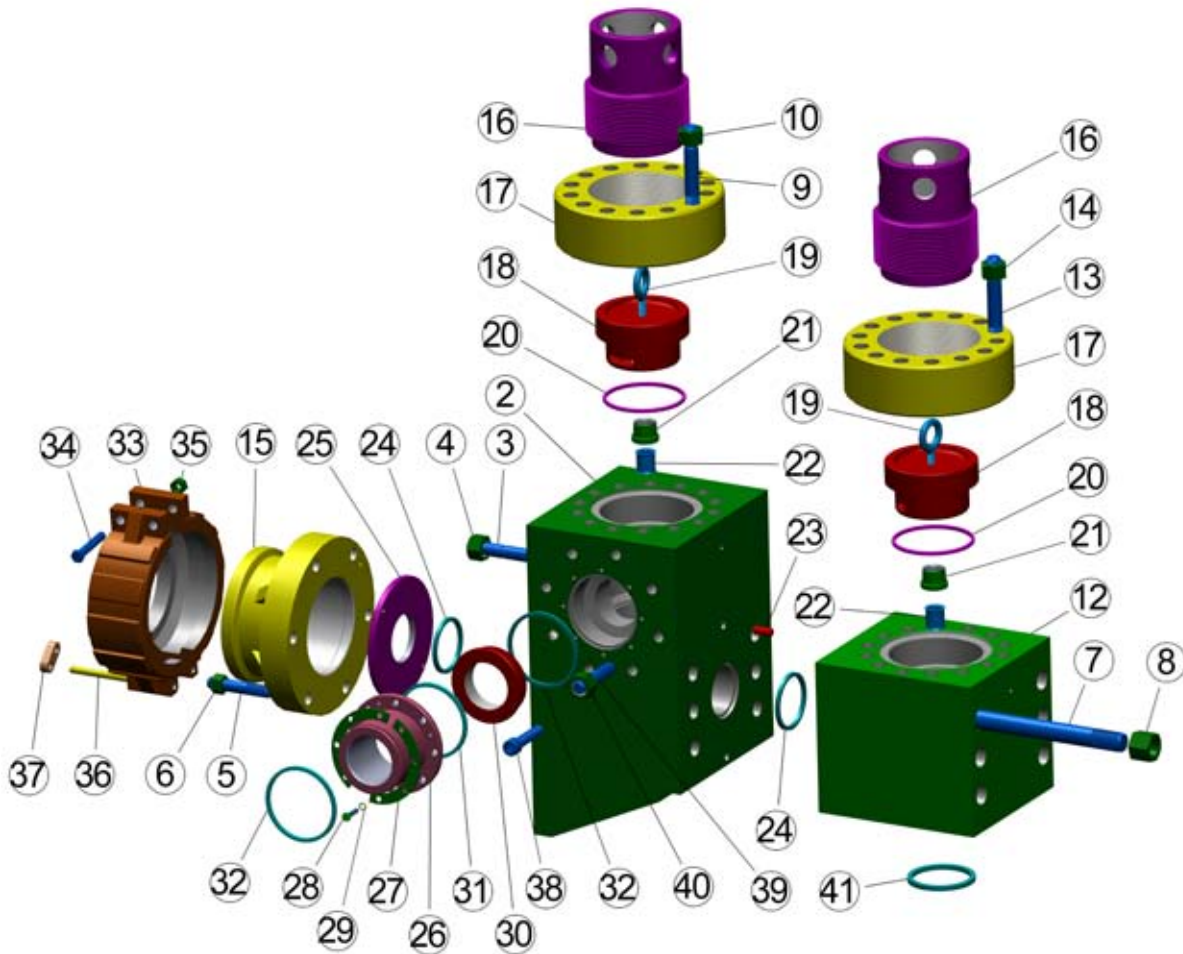
**FLUID END MODULE & ACCESSORIES****NATIONAL 12-P-160 (7500 PSI)**

ITEM	PART NUMBER	DESCRIPTION	QTY/PUMP
	TS-FEMNAT12P75LA	FLUID END MODULE COMPLETE ASSEMBLY	
1	TS-80704000	MODULE, DISCHARGE STUDDED	3
2	TS-NAT12P160PFS	STUD, POWER FRAME	30
3	TS-NAT8P80TRSN	NUT, POWER FRAME STUD	30
4	TS-80704002	STUD, DISCHARGE TO SUCTION MODULE	24
5	TS-PEP55	NUT, DISCHARGE TO SUCTION STUD	24
6	TS-80700014	STUD, THREADED RING	36
7	TS-6300240	NUT, THREADED RING STUD	36
8	TS-IDT800DMS	STUD, DISCHARGE MANIFOLD	12
9	TS-IDT800TRSN	NUT, DISCHARGE MANIFOLD STUD	12
10	TS-80704001	MODULE, SUCTION STUDDED	3
11	TS-80700014	STUD, THREADED RING	36
12	TS-6300240	NUT, THREADED RING STUD	36
13	TS-PEP75	STUD, LINER BUSHING	18
14	TS-80704004	CAP, THREAD	6
15	TS-80704003	RING, THREAD	6
16	TS-80704005	VALVE COVER	6
17	TS-12PVGASW	VALVE GUIDE	6
18	TS-7007303	CAP SCREW, VALVE GUIDE	12
19	TS-2007674	BUSHING, VALVE GUIDE	6
20	TS-SWP129	SEAL, VALVE COVER	6
21	TS-PEP70	PIN, DOWEL	6
22	TS-1290344	GASKET, WEAR PLATE AND LINER	6
23	TS-PP602160SW	WEAR LPATE	3
24	TS-12PLASW	FLANGE, LINER RETAINER (LINER BUSHING)	3
25	TS-12PLANSW	NUT, LINER RETAINER	3
26	TS-99609235	SEAL, DISCHARGE MANIFOLD	3
27	TS-1540851	GASKET, SUCTION MANIFOLD	3

TSC does not warrant or represent that any of such information is accurate, or that any products listed are compatible with each other.  
Any deviations from the OEM products should be verified as to compatibility.

FLUID END MODULE & ACCESSORIES

**NATIONAL 14-P-220**  
**TSC Manufacturing and Supply, LLC.**



TSC Manufacturing and Supply LLC, 13788 West Road, Suite 100, Houston, Texas 77041, USA  
Tel: +1 832 456 3900 Fax: +1 832 456 3998 E-mail: sales@t-s-c.com

## FLUID END MODULE &amp; ACCESSORIES

## NATIONAL 14-P-220

ITEM	PART NUMBER	DESCRIPTION	QTY/PUMP
	TS-80718020	ASSY, COMPLETE FLUID END W/ VALVE SERVICE & SUCTION MANIFOLD	3
1	TS-1295240	MODULE, STUDDED FLUID END DISCHARGE (INCLUDES ITEMS 2-10)	3
2	TS-1295241	DISCHARGE MODULE ONLY	3
3	TS-2408027	STUD, POWER FRAME	30
4	TS-6300240	NUT, POWER FRAME STUD	30
5	TS-2408047	STUD, LINER BUSHING	18
6	TS-6300200	NUT, LINER BUSHING STUD	18
7	TS-2408048	STUD, SUCTION TO DISCHARGE MODULE	18
8	TS-6300320	NUT, SUCTION TO DISCHARGE MODULE STUD	18
9	TS-2408049	STUD, VALVE COVER	42
10	TS-6300240	NUT, VALVE COVER STUD	42
11	TS-1295243	MODULE, STUDDED FLUID END SUCTION (INCLUDES ITEMS 12-14)	3
12	TS-1295244	SUCTION MODULE ONLY	3
13	TS-2408049	STUD, VALVE COVER	42
14	TS-6300240	NUT, VALVE COVER STUD	42
15	TS-1295165	BUSHING, LINER	3
16	TS-1295172	CAP, VALVE COVER (THREADED)	6
17	TS-1295176	RING, THREADED	6
18	TS-1295174	RETAINER, SEAL	6
19	TS-7601-0040-11	PULLER, SEAL RETAINER	6
20	TS-1540163	SEAL, VALVE COVER	6
21	TS-1292140	HOLDER, VALVE GUIDE INSERT	6
22	TS-1292141	INSERT, VALVE GUIDE	6
23	TS-6511416	PIN, DOWELL	6
24	TS-1295257	SEAL, MODULE & WEAR PLATE	6
25	TS-1295266	PLATE, WEAR	3
26	TS-1295252	CONNECTOR, DISCHARGE	2
27	TS-1295175	RING, DISCHARGE CONNECTOR BACK UP	4
28	TS-700030711	CAPSCREW, DISCHARGE CONNECTOR	16
29	TS-7619050	WASHER, DISCHARGE CONNECTOR CAPSCREW	16
30	TS-1295253	ADAPTER, DISCHARGE CONNECTOR	2
31	TS-2410031438	SEAL, DISCHARGE CONNECTOR TO DISCHARGE ADAPTER	2
32	TS-2410031440	SEAL, DISCHARGE CONNECTOR & DISCHARGE ADAPTER	4
33	TS-1295166	CLAMP COMPLETE, LINER	3
34	TS-700049110	CAPSCREW, LINER CLAMP	6
35	TS-6309140	NUT, LINER CAPSCREW	6
36	TS-1295169	PIN, LINER CLAMP	6
37	TS-1295168	CONNECTOR, LINER CLAMP	6
38	TS-7006609	CAPSCREW, DISCHARGE SPACER FLANGE	24
39	TS-2408014	STUD, DISCHARGE FLANGE	24
40	TS-6300180	NUT, DISCHARGE FLANGE STUD	24
41	TS-1540021	SEAL, SUCTION MANIFOLD	3

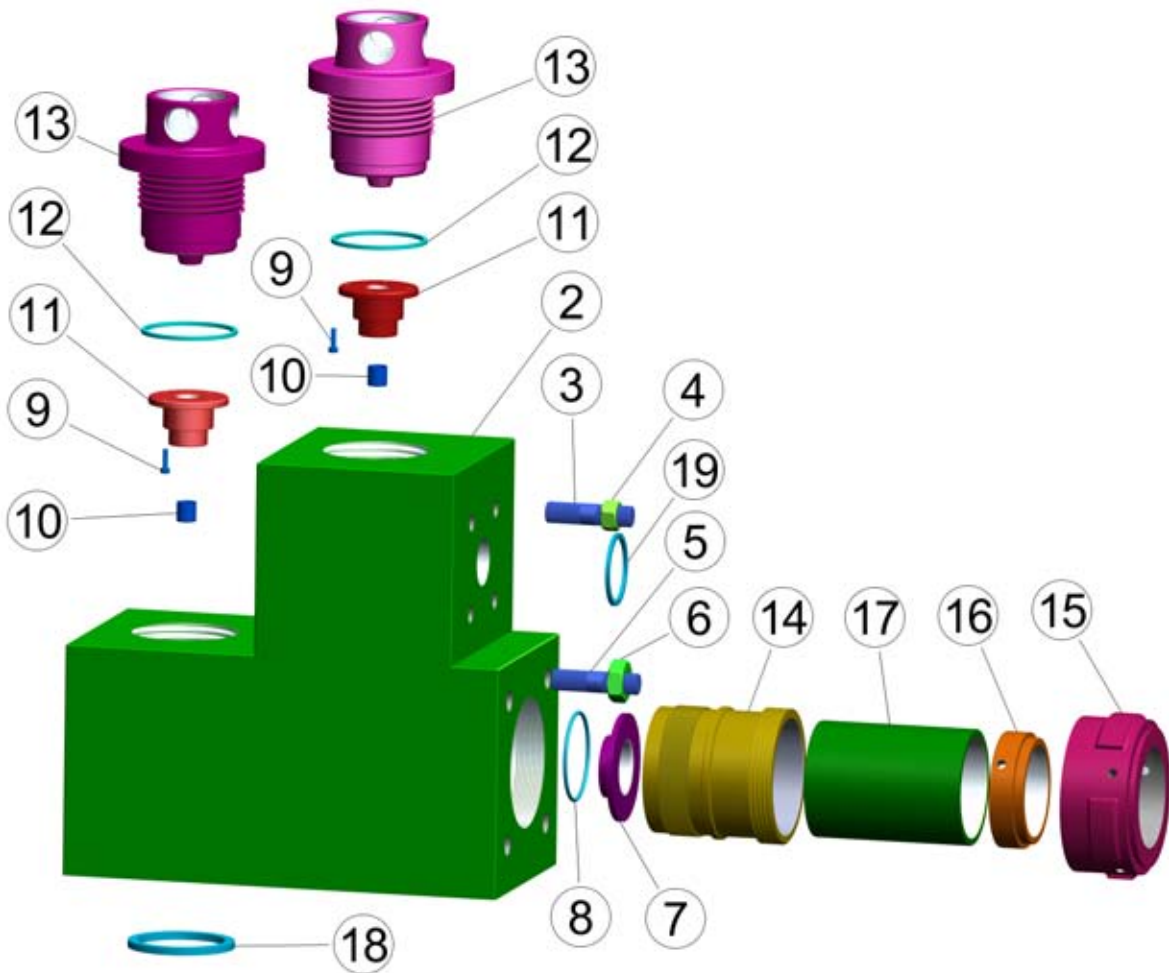
TSC does not warrant or represent that any of such information is accurate, or that any products listed are compatible with each other.  
Any deviations from the OEM products should be verified as to compatibility.

TSC Manufacturing and Supply LLC, 13788 West Road, Suite 100, Houston, Texas 77041, USA  
Tel: +1 832 456 3900 Fax: +1 832 456 3998 E-mail: sales@t-s-c.com



FLUID END MODULE & ACCESSORIES

**OILWELL A-850-PT, A-1100-PT,  
A-1400-PT, A-1700-PT  
TSC Manufacturing and Supply, LLC.**



TSC Manufacturing and Supply LLC, 13788 West Road, Suite 100, Houston, Texas 77041, USA  
Tel: +1 832 456 3900 Fax: +1 832 456 3998 E-mail: sales@t-s-c.com

## FLUID END MODULE &amp; ACCESSORIES

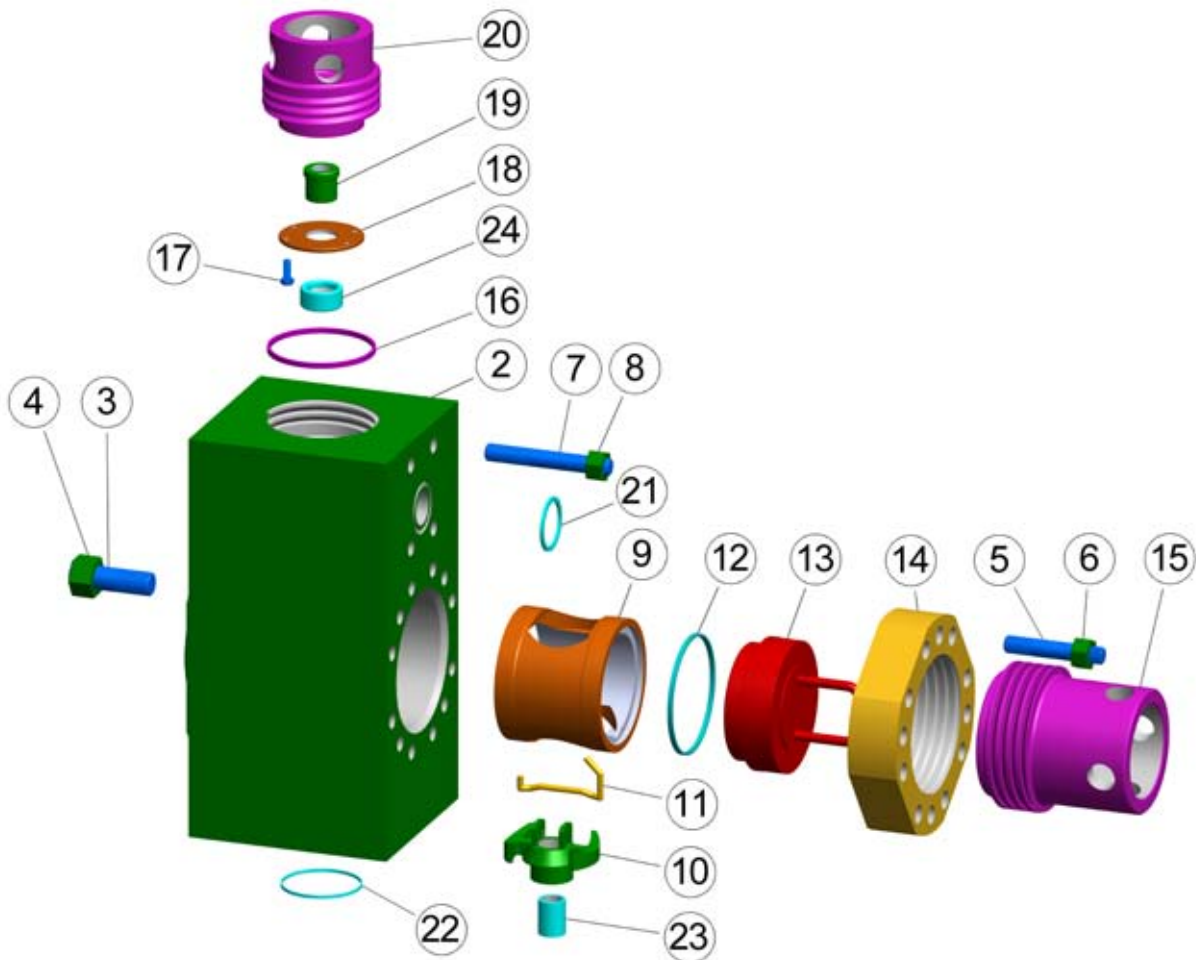
## OILWELL A-850-PT, A-1100-PT, A-1400-PT, A-1700PT

ITEM	PART NUMBER	DESCRIPTION	QTY/PUMP
	TS-OWFEMA8517PTCA	FLUID END MODULE COMPLETE ASSEMBLY	3
1	TS-10300181	FLUID END MODULE (STUDED) (INCLUDES ITEM 2-6)	3
2	TS-6621-282	FLUID END MODULE ONLY	3
3	TS-49001292	STUD, DISCHARGE MANIFOLD	12
4	TS-75511754	NUT, DISCHARGE MANIFOLD STUD	12
5	TS-49002837	STUD, POWER FRAME	12
6	TS-75510126	NUT, POWER FRAME STUD	12
7	TS-10300184	PLATE, WEAR	3
8	TS-20100008	GASKET, WEAR PLATE TO MODULE	3
9	TS-75632234	CAPSCREW, LOWER VALVE GUIDE	24
10	TS-20200004	BUSHING, VALVE GUIDE	6
11	TS-10300004	GUIDE, VALVE	6
12	TS-10300011	GASKET, VALVE COVER (G-760)	6
13	TS-10300005	COVER, VALVE	6
14	TS-10300183	ADAPTER, LINER	3
15	TS-10303092	NUT, LINER ADAPTER (FOR A850-PT & A-1100PT)	3
15	TS-10300182	NUT, LINER ADAPTER (FOR A1400-PT & A-1700PT)	3
16	TS-10300185	RING, LINER SPACER RING	3
17	TS-10303091	SLEEVE, LINER CENTERING (FOR A-850-PT & A-1100-PT)	3
17	TS-10300186	SLEEVE, LINER CENTERING (FOR A-1400-PT & A-1700-PT)	3
18	TS-10300201	GASKET, SUCTION MANIFOLD	3
19	TS-99-609-345	O-RING, DISCHARGE MANIFOLD	3
20	TMA17-STUDSET	STUDS SET INCLUDES 4 PCS TS-49001292, 4 PCS TS-75511754, 4 PCS TS-49002837, 4 PCS TS-75510126	3
21	TMA17-SEALKIT	MODULE SEAL KIT (INCLUDES SUCTION MANIFOLD GASKET, DISCHARGE MANIFOLD O-RING, WEAR PLATE GASKET)	3

TSC does not warrant or represent that any of such information is accurate, or that any products listed are compatible with each other.  
Any deviations from the OEM products should be verified as to compatibility.

FLUID END MODULE & ACCESSORIES

**BOMCO F-500**  
**TSC Manufacturing and Supply, LLC.**



TSC Manufacturing and Supply LLC, 13788 West Road, Suite 100, Houston, Texas 77041, USA  
Tel: +1 832 456 3900 Fax: +1 832 456 3998 E-mail: sales@t-s-c.com

## FLUID END MODULE &amp; ACCESSORIES

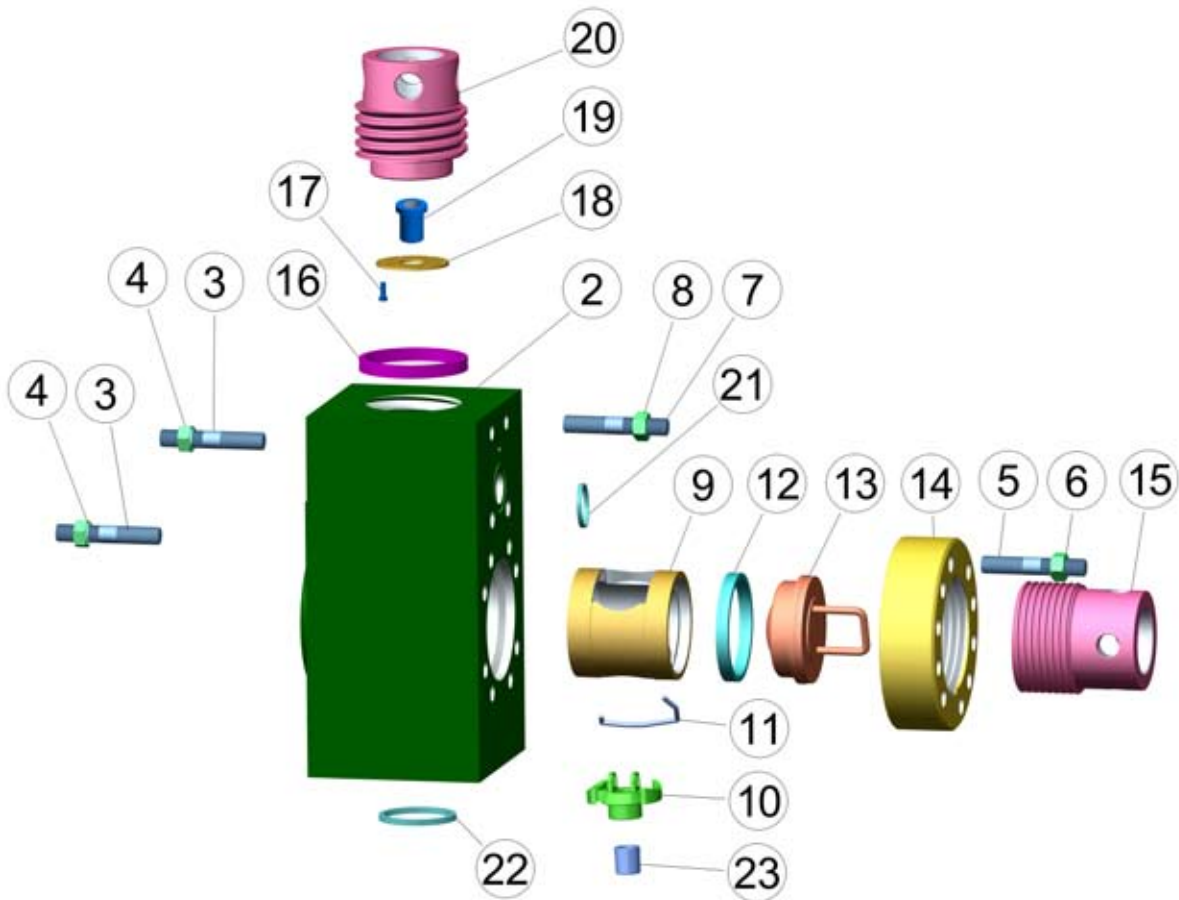
## BOMCO F-500

ITEM	PART NUMBER	BAOJI PART NUMBER	DESCRIPTION	QTY/PUMP
	TS-6322-0034-00	AH050101050100	FLUID END MODULE COMPLETE ASSEMBLY (INCLUDES ITEM 2-23)	3
1	TS-6318-0151-00		FLUID END MODULE STUDDED (INCLUDES ITEM 2-8)	3
2	TS-6318-0151-00U		FLUID END MODULE (UNSTUDED)	3
3	TS-7507-2207-00		STUD FRAME	18
4	TS-7601-0630-17		NUT (FOR ABOVE)	18
5	TS-7507-3402-00		STUD, THREADED RING	36
6	TS-7601-0630-26		NUT (FOR ABOVE)	36
7	TS-7507-3407-00		STUD, DISCHARGE MANIFOLD	12
8	TS-7601-0630-26		NUT (FOR ABOVE)	12
9	TS-6318-0148-00	AH0501010506	CAGE, LINER	3
10	TS-6318-0177-00	AH050101051800	GUIDE, LOWER VALVE (WITH BUSHING)	3
11	TS-6318-0153-00	AH0501010517	CLIP, LOCKING (FOR LOWER VALVE GUIDE)	3
12	TS-7602-2200-34	AH0501010504	GASKET, LINER/CYLINDER HEAD (G-282)	6
13	TS-6318-0158-00	AH050101050500	PLUG, CYLINDER HEAD	3
14	TS-6318-0130-00	AH0501010502	RING, THREADED CYLINDER HEAD	3
15	TS-6318-0157-00	AH0501010503	CAP, THREADED CYLINDER HEAD	3
16	TS-6310-0084-00	AH0501010508	GASKET, VALVE COVER (G-740)	3
17	TS-7501-0051-00	AH1001010513	SCREW, RETAINER (UPPER)	12
18	TS-6310-0133-00	AH0501010511	RETAINER PLATE (UPPER)	3
19	TS-6397-0602-00	AH0501010510	GUIDE, UPPER VALVE	3
20	TS-6310-0016-01	AH0501010509	COVER, VALVE POT	3
21	TS-7602-1600-23	75x5.3(GB3452.1-82)	GASKET, DISCHARGE MANIFOLD	3
22	TS-7602-1600-38	150x7(GB3452.1-82)	GASKET, SUCTION MANIFOLD	3
23	TS-6318-0155-00		BUSHING, LOWER VALVE GUIDE	3
24	TS-AH100101051100	AH100101051100	GUIDE, SPRING	3
25	TMF05-STUDSET		F-500 STUDS AND NUTS SET (INCLUDES 6 PCS TS-7507-2207-00, 6PCS TS-7601-0630-17, 12 PCS TS-7507-3402-00, 16 PCS TS-7601-0630-26, 4 PCS TS-7507-3407-00)	3
26	TMF05-SEALKIT		F-500 MODULE SEAL KIT (INCLUDES TWO G-282, ONE G-733, ONE TS-7602-1600-23, ONE TS-7602-1600-38)	3

TSC does not warrant or represent that any of such information is accurate, or that any products listed are compatible with each other.  
Any deviations from the OEM products should be verified as to compatibility.

FLUID END MODULE & ACCESSORIES

**BOMCO F-800, F-1000**  
**TSC Manufacturing and Supply, LLC.**



TSC Manufacturing and Supply LLC, 13788 West Road, Suite 100, Houston, Texas 77041, USA  
Tel: +1 832 456 3900 Fax: +1 832 456 3998 E-mail: sales@t-s-c.com

## FLUID END MODULE &amp; ACCESSORIES

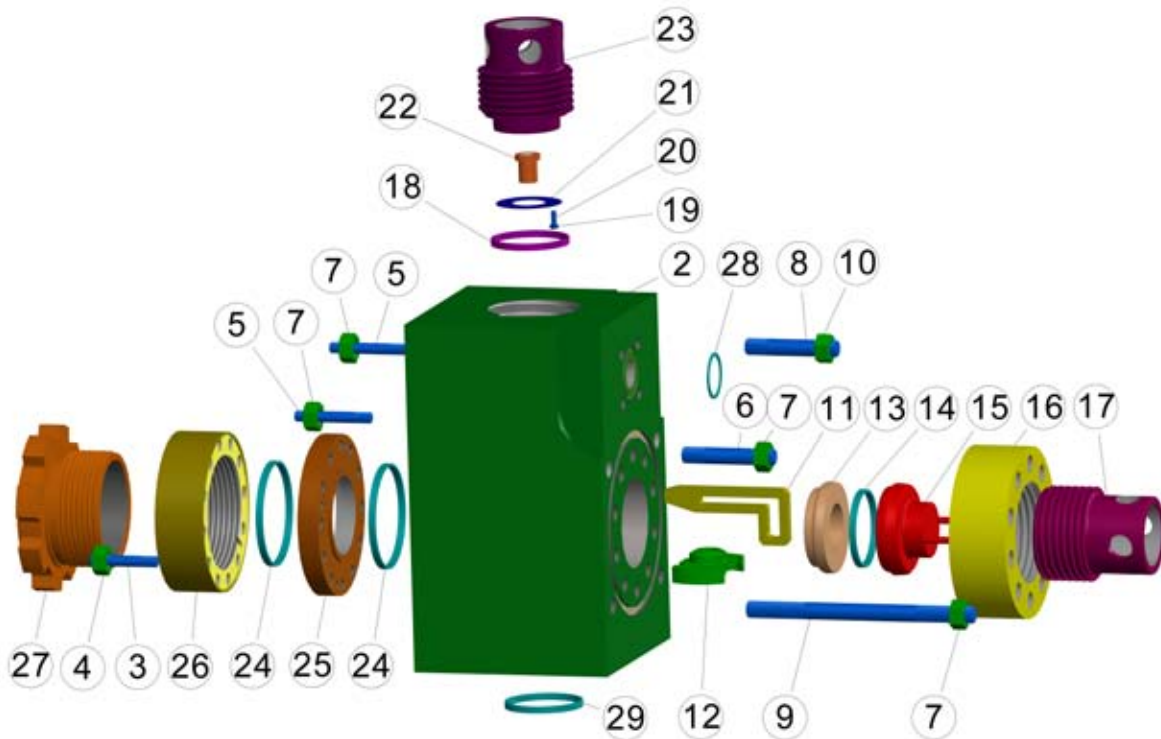
**BOMCO F-800, F-1000**

ITEM	PART NUMBER	DESCRIPTION	QTY/PUMP
	TS-6999-0088-00B	FLUID END MODULE COMPLETE ASSEMBLY(INCLUDES ITEM 2-24)	3
1	TS-6999-0086-02B	FLUID END MODULE STUDDED (INCLUDES ITEM 2-8)	3
2	TS-6999-0087-02B	FLUID END MODULE (UNSTUDED)	3
3	TS-7507-2205-00	STUD FRAME	24
4	TS-7601-0630-17	NUT (FOR ABOVE)	24
5	TS-7507-2150-00	STUD, THREADED RING	30
6	TS-7601-0630-28	NUT (FOR ABOVE)	30
7	TS-7507-2108-00	STUD, DISCHARGE MANIFOLD	12
8	TS-7601-0630-24	NUT (FOR ABOVE)	12
9	TS-6319-0026-00	CAGE, LINER	3
10	TS-6319-0087-00	GUIDE, LOWER VALVE (WITH BUSHING)	3
11	TS-6319-0089-00	CLIP, LOCKING (FOR LOWER VALVE GUIDE)	3
12	TS-7602-2200-32	GASKET, LINER/ CYLINDER HEAD (G-282)	6
13	TS-6319-0031-00	PLUG, CYLINDER HEAD	3
14	TS-6999-0089-00	RING, THREADED CYLINDER HEAD	3
15	TS-6319-0090-00	CAP, THREADED CYLINDER HEAD	3
16	TS-6319-0076-00	GASKET, VALVE COVER (G-740)	3
17	TS-7501-0051-00	SCREW, RETAINER (UPPER)	12
18	TS-6397-0603-00	PLATE, RETAINER (UPPER)	3
19	TS-6397-0575-00	GUIDE, UPPER VALVE	3
20	TS-6319-0027-00	COVER, VALVE POT	3
21	TS-7602-1610-46	GASKET, DISCHARGE MANIFOLD	3
22	TS-7602-1600-61	GASKET, SUCTION MANIFOLD	3
23	TS-6316-0096-00	BUSHING, LOWER VALVE GUIDE	3
24	TMF10-STUDSET	F-800/1000 STUDS AND NUTS SET (INCLUDES 8 PCS TS-7507-2205-00, 8 PCS TS-7601-0630-17, 10 PCS TS-7507-2150-00, 10 PCS TS-7601-0630-28, 4 PCS TS-7507-2108-00, 4 PCS TS-7601-0630-24)	3
25	TMBJ10-SEALKIT	F-800/1000 MODULE SEAL KIT (INCLUDES 1 PC G-282, 1 PC G-740, 1 PC TS-7602-1610-46, 1 PC TS-7602-1600-61)	3

TSC does not warrant or represent that any of such information is accurate, or that any products listed are compatible with each other.  
Any deviations from the OEM products should be verified as to compatibility.

FLUID END MODULE & ACCESSORIES

**BOMCO F-1300, F-1600**  
**TSC Manufacturing and Supply, LLC.**



TSC Manufacturing and Supply LLC, 13788 West Road, Suite 100, Houston, Texas 77041, USA  
Tel: +1 832 456 3900 Fax: +1 832 456 3998 E-mail: sales@t-s-c.com

## FLUID END MODULE &amp; ACCESSORIES

## BOMCO F-1300, F-1600

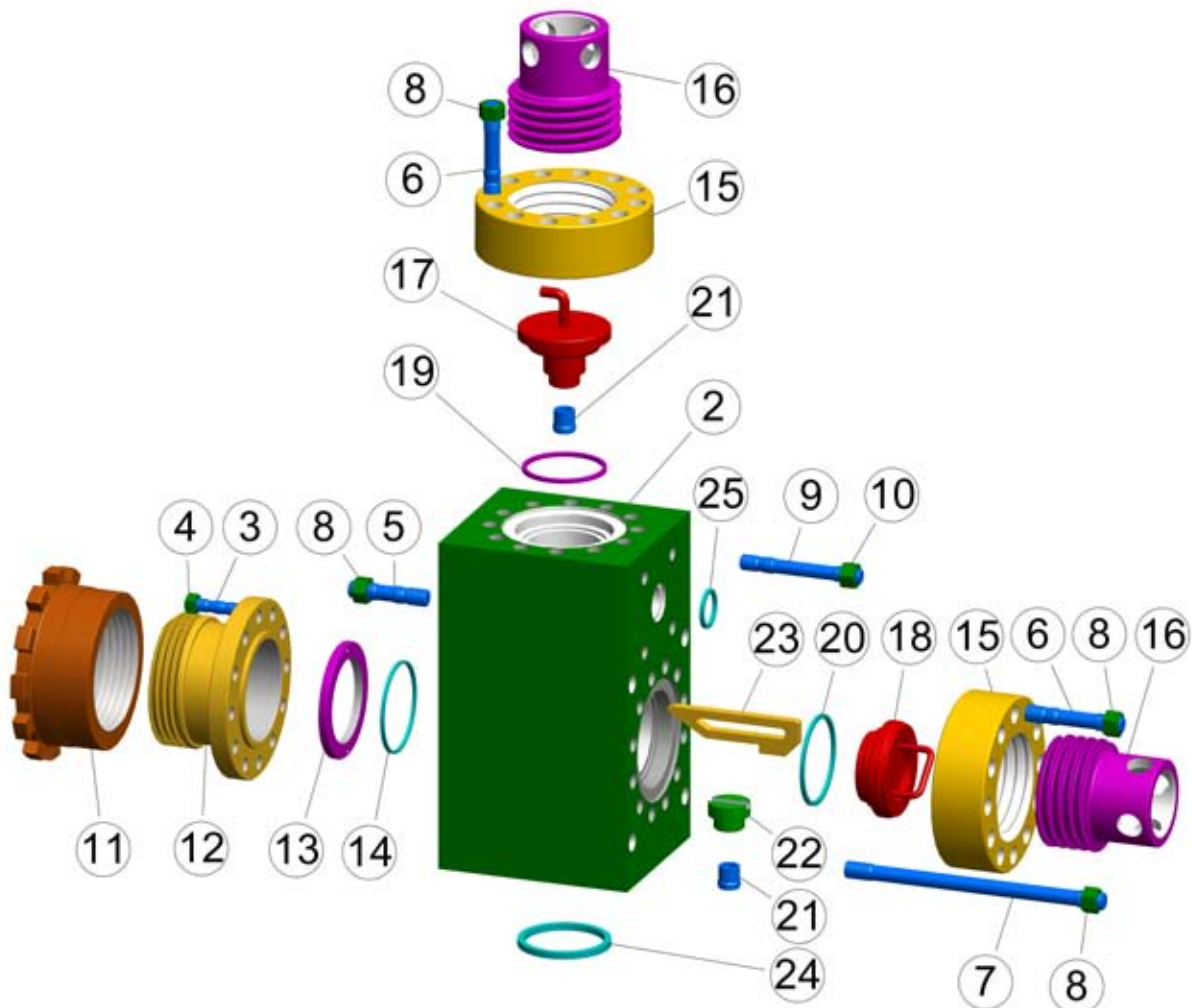
ITEM	PART NUMBER	BOMCO PART NUMBER	DESCRIPTION	QTY/PUMP
	TS-6316-0375-B0		FLUID END MODULE COMPLETE ASSEMBLY(INCLUDES ITEM 2-24, 26- 29)	3
1	TS-6316-0357-B0	AH130102050100	FLUID END MODULE STUDDED (INCLUDES ITEM 2-9)	3
2	TS-6316-0356-B0		FLUID END MODULE ONLY (UNSTUDED)	3
3	TS-7507-2013-00		STUD, MODULE TO LINER CLAMP	36
4	TS-7601-0610-18		LINER CLAMP STUD NUT	36
5	TS-7507-2201-00		POWER FRAME STUD	30
6	TS-7507-2210-00		STUD, MODULE TO CYLINDER	30
7	TS-7601-0630-17		NUT, POWER FRAME, DISCHARGE FRAME SUPPORT	72
8	TS-7507-2108-00		STUD, MODULE TO DISC. MANIFOLD	12
9	TS-F16-05-35	AH1301020513	STUD, POWER FRAME SUPPORT	12
10	TS-7601-0630-24	T501-2001	NUT, MODULE TO DISCHARGE MANIFOLD STUD	12
11	TS-F16-05-04	AH130101050400	RETAINER, LOWER VALVE GUIDE	3
12	TS-F16-05-05	AH130101050500	VALVE GUIDE (LOWER)	3
13	TS-F16-05-07	AH1301010507	RETAINER SPACE RING	3
14	TS-6316-0369-00	AH1301010508	GASKET, CYLINDER HEAD SEAL (G-801)	3
15	TS-F16-05-06	AH130101050600	CYLINDER HEAD PLUG	3
16	TS-6316-0361-00	AH130100502	RING, THREADED CYLINDER HEAD	3
17	TS-6316-0362-00	AH130100503	CAP, THREADED CYLINDER HEAD	3
18	TS-6316-0092-00	AH1301010510	GASKET, VALVE COVER (G-741)	3
19	TS-7602-5280-72	040104030160001900	STAINLESS WIRE $\phi$ 1.6 $\times$ 1830	1
20	TS-7501-0051-00	AH0501020509	SCREW, RETAINER (UPPER)	12
21	TS-6397-0603-00	AH1001010512	PLATE, RETAINER (UPPER)	3
22	TS-6397-0575-00	AH1001010510	VALVE GUIDE UPPER	3
23	TS-6316-0039-00	AH1301020502	COVER, VALVE POT	3
24	TS-6316-0373-00	AH1301010512	GASKET, WEAR PLATE/ LINER (G-800)	6
25	TS-6316-0365-00	AH1301020503	WEAR PLATE	3
26	TS-6316-0366-00	AH1301010514	LINER FLANGE	3
27	TS-6316-0367-00	AH130101051500	LINER LOCK	3
28	TS-7602-1600-25	GB3452.1-82"O" $\phi$ 95 $\times$ 5.3	GASKET, DISCHARGE MANIFOLD	3
29	TS-7602-1600-61	GB3452.1-82"O" $\phi$ 185 $\times$ 7	GASKET, SUCTION MANIFOLD	3

TSC does not warrant or represent that any of such information is accurate, or that any products listed are compatible with each other.  
Any deviations from the OEM products should be verified as to compatibility.



FLUID END MODULE & ACCESSORIES

**LANSHI 3NB-1000C**  
**TSC Manufacturing and Supply, LLC.**



TSC Manufacturing and Supply LLC, 13788 West Road, Suite 100, Houston, Texas 77041, USA  
Tel: +1 832 456 3900 Fax: +1 832 456 3998 E-mail: sales@t-s-c.com

## FLUID END MODULE &amp; ACCESSORIES

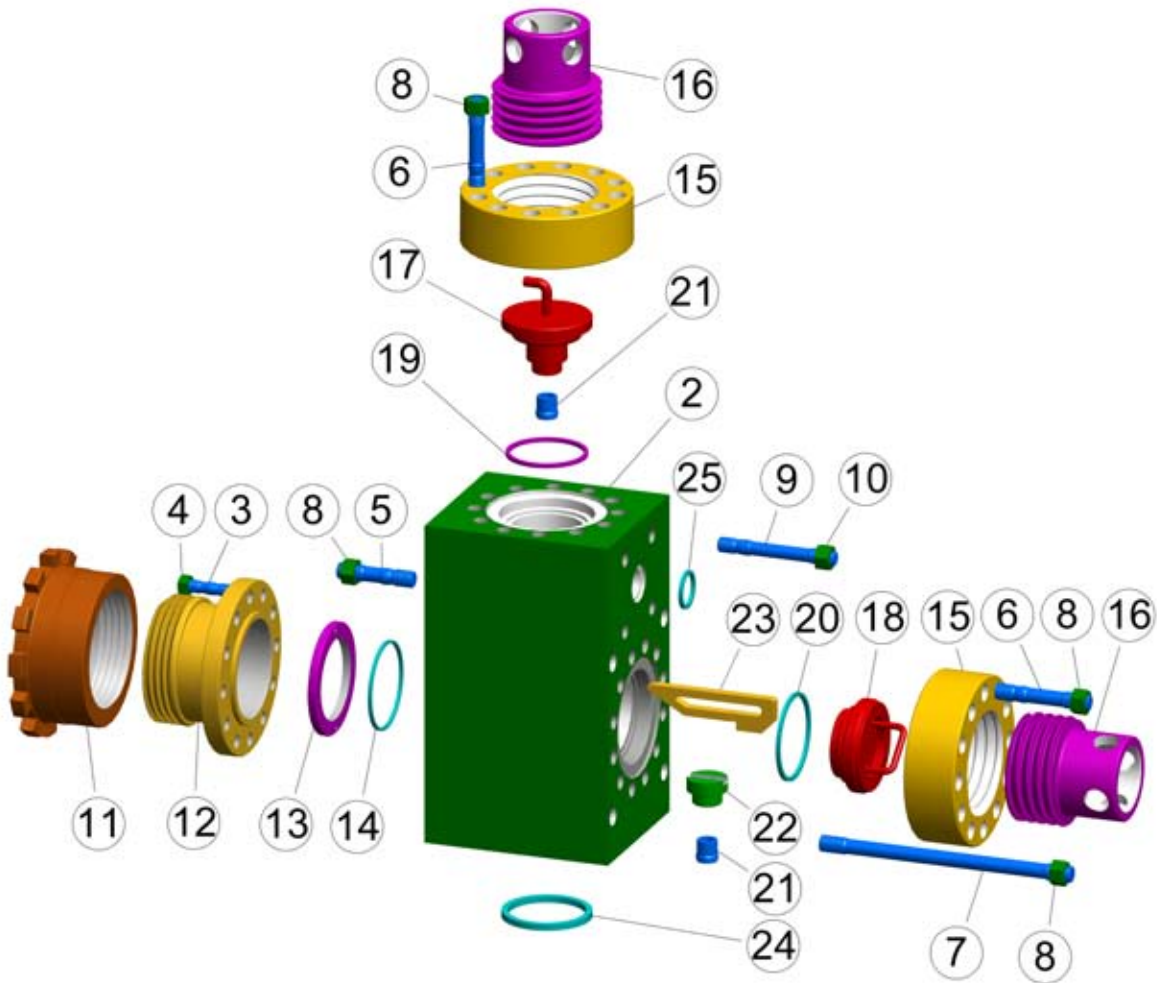
## LANSHI 3NB-1000C

ITEM	PART NUMBER	LANSHI PART NUMBER	DESCRIPTION	QTY/PUMP
	TS-107.14.110.00	107.14.110.00	FLUID END MODULE COMPLETE ASSEMBLY (INCLUDES ITEM 2-25)	3
1	TS-107.14.110.14	107.14.110.14	FLUID END MODULE STUDDED (INCLUDES ITEM 2-10)	3
2	TS-107.14.110.14-1	107.14.110.14-1	FLUID END MODULE ONLY (UNSTUDED)	3
3	TS-107.05.110.68	107.05.110.68	STUD, LINER BUSHING	36
4	TS-M27×2	107.04.110.04(M27×2)	NUT, LINER CLAMP STUD	36
5	TS-107.05.110.69	107.05.110.69(M39×3)	STUD, POWER FRAME	12
6	TS-107.04.110.06	107.04.110.06	STUD, MODULE TO CYLINDER	72
7	TS-107.11.110.12-1	107.11.110.12-1	STUD, THROUGH MODULE POWER FRAME	12
8	TS- M36×3	C3-9-92(M36×3)	NUT (FOR ABOVE)	108
9	TS-107.14.110.09	107.14.110.09	STUD, DISCHARGE MANIFOLD	12
10	TS-M30×2	C3-9-92(M30×2)	NUT, DISCHARGE MANIFOLD	12
11	TS-107.14.110.04	107.14.110.04	NUT, LINER ADAPTER	3
12	TS-107.14.110.15	107.14.110.15	BUSHING, LINER	3
13	TS-107.14.110.16	107.14.110.16	WEAR PLATE, LINER	3
14	TS-107.04.09	107.04.09	GASKET, WEAR PLATE	3
15	TS-107.14.110.07	107.14.110.07	RING, THREADED VALVE COVER AND CYLINDER HEAD	6
16	TS-107.14.110.05	107.14.110.05	CAP, THREADED VALVE COVER AND CYLINDER HEAD	6
17	TS-107.14.110.08	107.14.110.08	COVER, VALVE (INCLUDE #21)	3
18	TS-107.14.110.12	107.14.110.12	PLUG, CYLINDER HEAD	3
19	TS-107.04.110.55	107.04.110.55	GASKET, VALVE COVER	3
20	TS-107.14.110.13	107.14.110.13	GASKET, CYLINDER HEAD PLUG	3
21	TS-107.04.110.10	107.04.110.10	BUSHING, VALVE GUIDE	6
22	TS-107.14.110.11	107.14.110.11	ASSEMBLY, LOWER VALVE GUIDE (INCLUDE #21)	3
23	TS-107.14.110.10	107.14.110.10	RETAINER, LOWER VALVE GUIDE	3
24	TS-107.04.110.13	107.04.110.13	GASKET, SUCTION MANIFOLD	3
25	TS-107.10.110.03	107.10.110.03	GASKET, DISCHARGE MANIFOLD	3

TSC does not warrant or represent that any of such information is accurate, or that any products listed are compatible with each other.  
Any deviations from the OEM products should be verified as to compatibility.

FLUID END MODULE & ACCESSORIES

**LANSHI 3NB-1300C**  
**TSC Manufacturing and Supply, LLC.**



TSC Manufacturing and Supply LLC, 13788 West Road, Suite 100, Houston, Texas 77041, USA  
Tel: +1 832 456 3900 Fax: +1 832 456 3998 E-mail: sales@t-s-c.com

## FLUID END MODULE &amp; ACCESSORIES

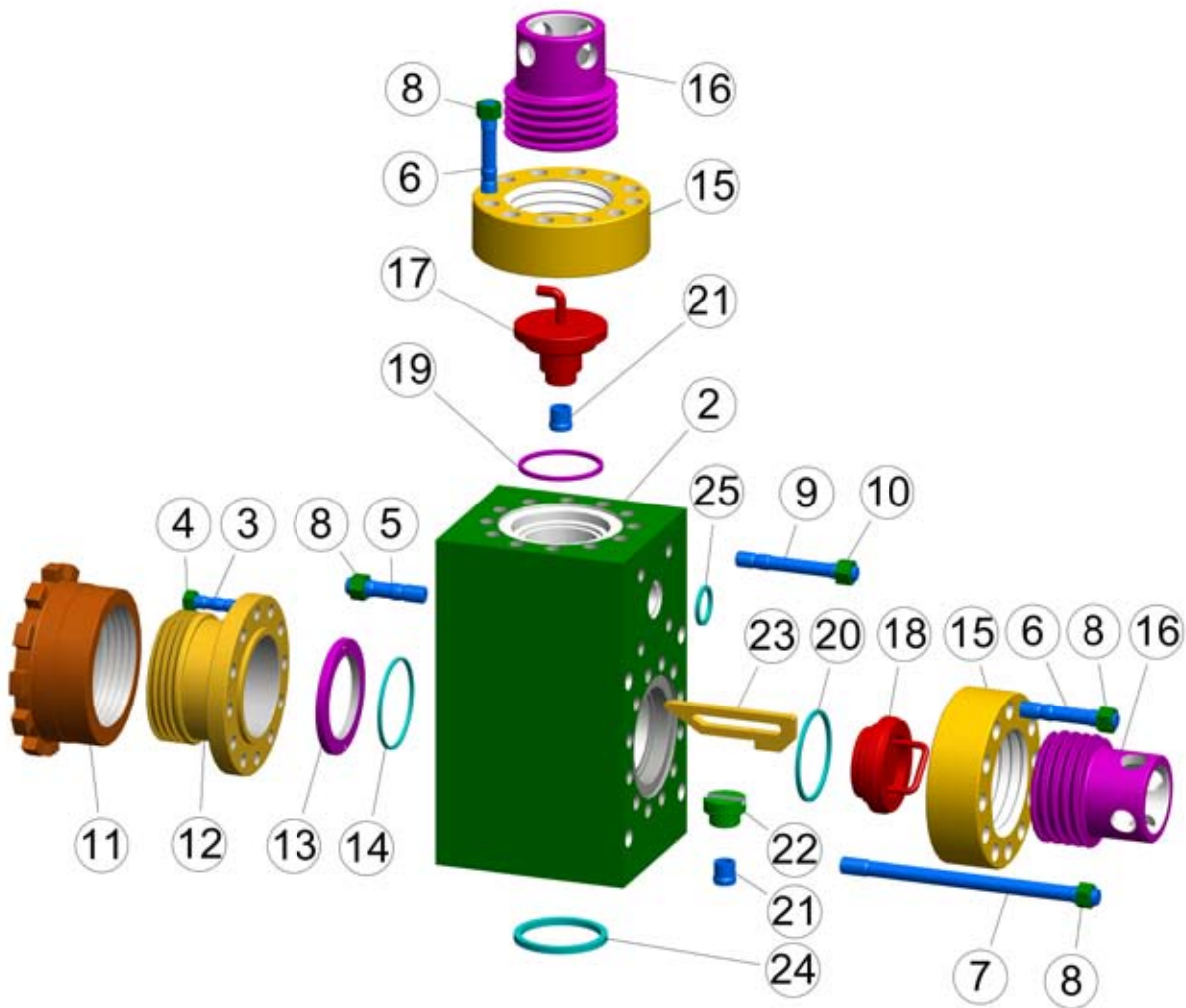
## LANSHI 3NB-1300C

ITEM	PART NUMBER	LANSHI PART NUMBER	DESCRIPTION	QTY/PUMP
	TS-107.12.110.00	107.12.110.00	FLUID END MODULE COMPLETE ASSEMBLY (INCLUDES ITEM 2-25)	3
1	TS-107.11.110.14-2	107.11.110.14-2	FLUID END MODULE STUDED (INCLUDES ITEM 2-10)	3
2	TS-107.11.110.14-1	107.11.110.14-1	FLUID END MODULE ONLY (UNSTUDED)	3
3	TS-107.11.110.41-1	107.11.10.41-1	STUD, LINER BUSHING	36
4	TS-M30×2	C3-9-92(M30×2)	NUT, LINER CLAMP STUD	36
5	TS-107.11.110.17	107.11.110.17(M39×3)	STUD, POWER FRAME	12
6	TS-107.11.110.02	107.11.110.02	STUD, MODULE TO CYLINDER	72
7	TS-107.11.110.12-1	107.11.110.12-1	STUD, THROUGH MODULE POWER FRAME	12
8	TS-107.04.110.29	107.04.110.29	NUT (FOR ABOVE)	108
9	TS-107.11.110.06	107.11.110.06	STUD, DISCHARGE MANIFOLD	12
10	TS-M36×3	C3-9-92(M36×3)	NUT, DISCHARGE MANIFOLD	12
11	TS-107.11.110.40	107.11.110.40	NUT, LINER ADAPTER	3
12	TS-107.11.110.18-1	107.11.110.18-1	BUSHING, LINER	3
13	TS-107.11.110.43	107.11.110.43	WEAR PLATE, LINER	3
14	TS-107.11.110.42	107.11.110.42	GASKET, WEAR PLATE	3
15	TS-107.11.110.03	107.11.110.03	RING, THREADED VALVE COVER AND CYLINDER HEAD	6
16	TS-107.11.110.01	107.11.110.01	CAP, THREADED VALVE COVER AND CYLINDER HEAD	6
17	TS-107.11.340.00	107.11.340.00	COVER, VALVE (INCLUDE #21)	3
18	TS-107.11.330.00	107.11.330.00	PLUG, CYLINDER HEAD	3
19	TS-107.11.110.05	107.11.110.05	GASKET, VALVE COVER	3
20	TS-107.11.110.68	107.11.110.68	GASKET, CYLINDER HEAD PLUG	3
21	TS-107.11.110.67	107.11.110.67	BUSHING, VALVE GUIDE	6
22	TS-107.11.110.52-1	107.11.110.52-1	ASSEMBLY, LOWER VALVE GUIDE (INCLUDE #21)	3
23	TS-107.11.110.65-1	107.11.110.65-1	RETAINER, LOWER VALVE GUIDE	3
24	TS-107.04.110.13	107.04.110.13	GASKET, SUCTION MANIFOLD	3
25	TS-107.10.110.03	107.10.110.03	GASKET, DISCHARGE MANIFOLD	3

TSC does not warrant or represent that any of such information is accurate, or that any products listed are compatible with each other.  
Any deviations from the OEM products should be verified as to compatibility.

FLUID END MODULE & ACCESSORIES

**LANSHI 3NB-1600**  
**TSC Manufacturing and Supply, LLC.**



TSC Manufacturing and Supply LLC, 13788 West Road, Suite 100, Houston, Texas 77041, USA  
Tel: +1 832 456 3900 Fax: +1 832 456 3998 E-mail: sales@t-s-c.com

## FLUID END MODULE &amp; ACCESSORIES

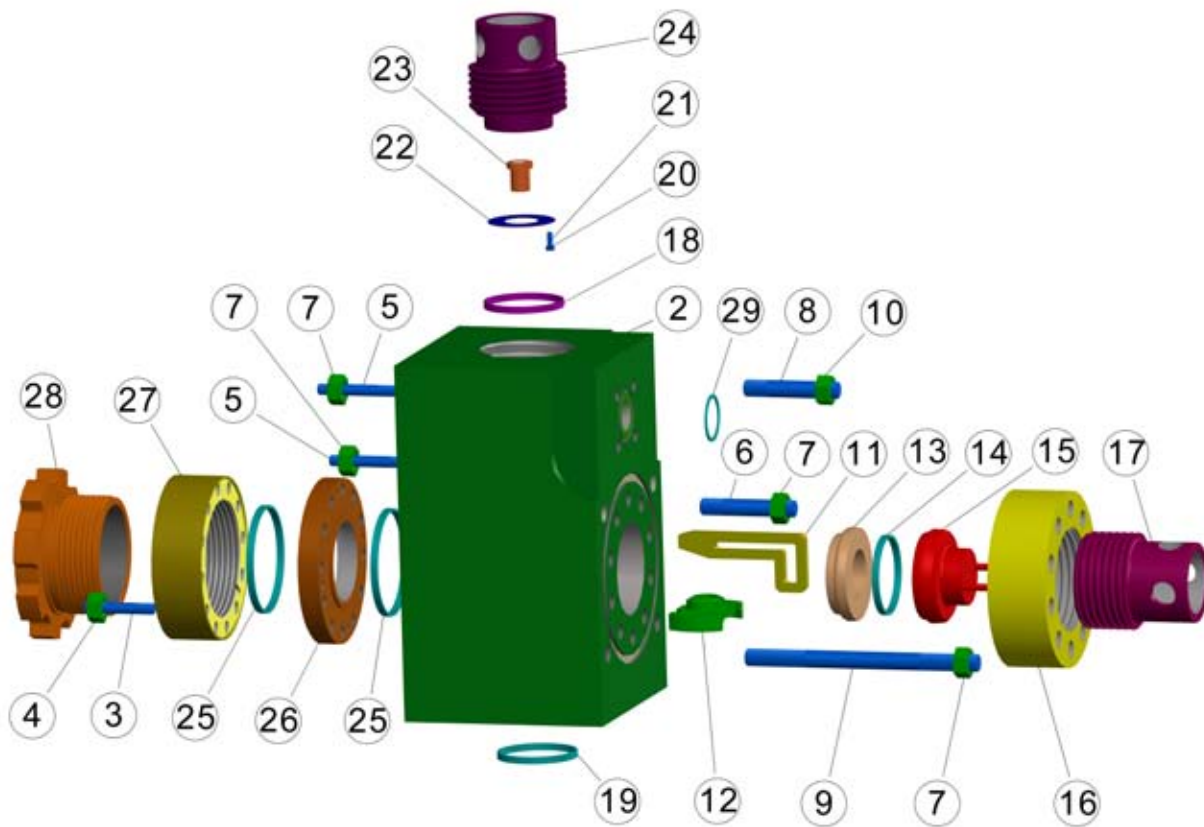
## LANSHI 3NB-1600

ITEM	PART NUMBER		DESCRIPTION	QTY/PUMP
	TS-107.11.110.00	107.11.110.00	FLUID END MODULE COMPLETE ASSEMBLY (INCLUDES ITEM 2-25)	3
1	TS-107.11.110.14-2	107.11.110.14-2	FLUID END MODULE STUDED (INCLUDES ITEM 2-10)	3
2	TS-107.11.110.14-1	107.11.110.14-1	FLUID END MODULE ONLY (UNSTUDED)	3
3	TS-107.11.110.41-1	107.11.110.41-1	STUD, LINER BUSHING	36
4	TS-M30×2	C3-9-92(M30×2)	NUT, LINER CLAMP STUD	36
5	TS-107.11.110.17	107.11.110.17(M39×3)	STUD, POWER FRAME	12
6	TS-107.11.110.02	107.11.110.02	STUD, MODULE TO CYLINDER	72
7	TS-107.11.110.12-1	107.11.110.12-1	STUD, THROUGH MODULE POWER FRAME	12
8	TS-107.04.110.29	107.04.110.29	NUT (FOR ABOVE)	108
9	TS-107.11.110.06	107.11.110.06	STUD, DISCHARGE MANIFOLD	12
10	TS-M36×3	C3-9-92(M36×3)	NUT, DISCHARGE MANIFOLD	12
11	TS-107.11.110.40	107.11.110.40	NUT, LINER ADAPTER	3
12	TS-107.11.110.18-1	107.11.110.18-1	BUSHING, LINER	3
13	TS-107.11.110.43	107.11.110.43	WEAR PLATE, LINER	3
14	TS-107.11.110.42	107.11.110.42	GASKET, WEAR PLATE	3
15	TS-107.11.110.03	107.11.110.03	RING, THREADED VALVE COVER AND CYLINDER HEAD	6
16	TS-107.11.110.01	107.11.110.01	CAP, THREADED VALVE COVER AND CYLINDER HEAD	6
17	TS-107.11.340.00	107.11.340.00	COVER, VALVE (INCLUDE #21)	3
18	TS-107.11.330.00	107.11.330.00	PLUG, CYLINDER HEAD	3
19	TS-107.11.110.05	107.11.110.05	GASKET, VALVE COVER	3
20	TS-107.11.110.68	107.11.110.68	GASKET, CYLINDER HEAD PLUG	3
21	TS-107.11.110.67	107.11.110.67	BUSHING, VALVE GUIDE	6
22	TS-107.11.110.52-1	107.11.110.52-1	ASSEMBLY, LOWER VALVE GUIDE (INCLUDE #21)	3
23	TS-107.11.110.65-1	107.11.110.65-1	RETAINER, LOWER VALVE GUIDE	3
24	TS-107.04.110.13	107.04.110.13	GASKET, SUCTION MANIFOLD	3
25	TS-107.10.110.03	107.10.110.03	GASKET, DISCHARGE MANIFOLD	3

TSC does not warrant or represent that any of such information is accurate, or that any products listed are compatible with each other.  
Any deviations from the OEM products should be verified as to compatibility.

FLUID END MODULE & ACCESSORIES

**HONGHUA HHF-1300, HHF-1600**  
**TSC Manufacturing and Supply, LLC.**



TSC Manufacturing and Supply LLC, 13788 West Road, Suite 100, Houston, Texas 77041, USA  
Tel: +1 832 456 3900 Fax: +1 832 456 3998 E-mail: sales@t-s-c.com

## FLUID END MODULE &amp; ACCESSORIES

## HONGHUA HHF-1300, HHF-1600

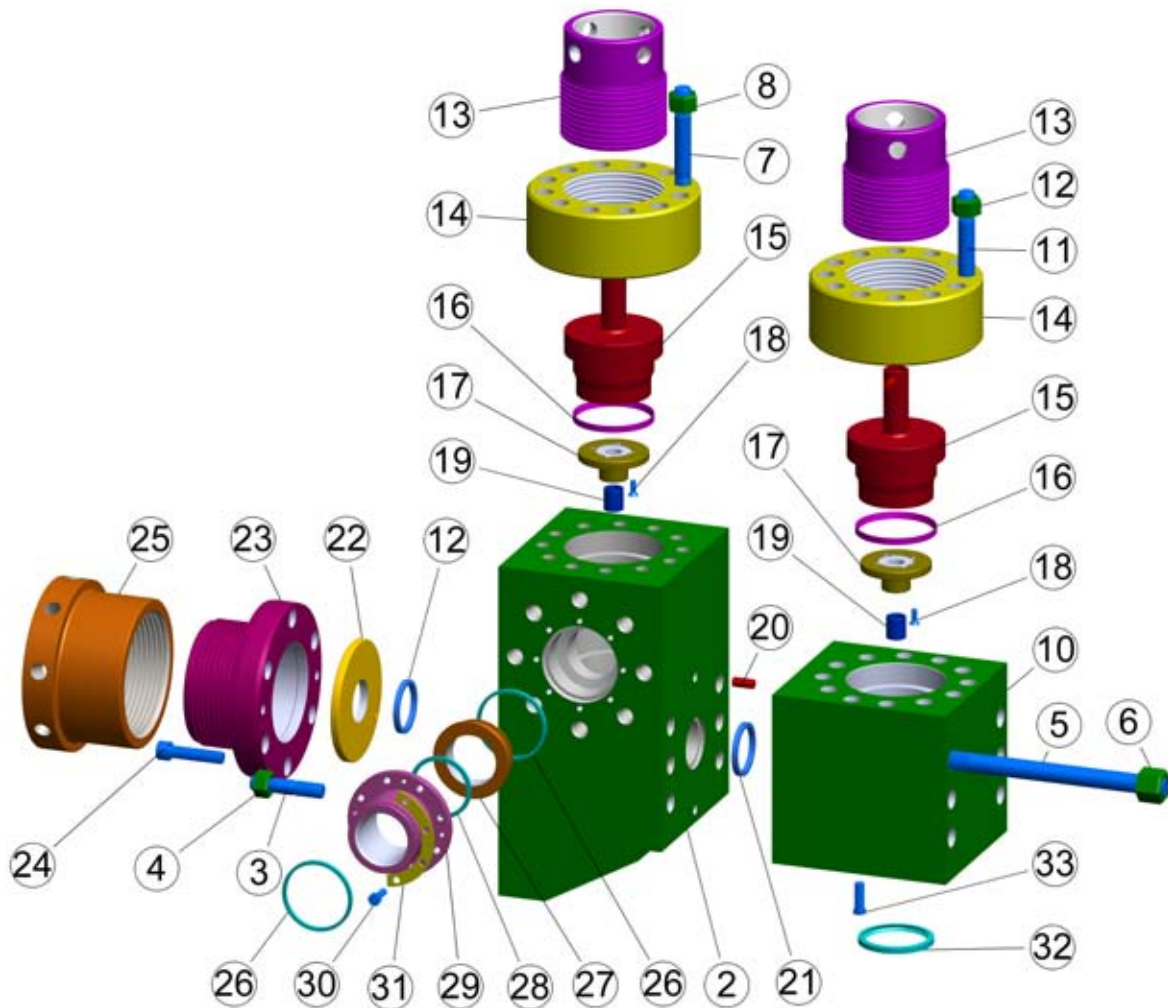
ITEM	PART NUMBER	HONG HUA PART NUMBER	DESCRIPTION	QTY/PUMP
	TS-6316-0375-00B		FLUID END MODULE COMPLETE ASSEMBLY (INCLUDES ITEM 2-24, 26-29)	3
1	TS-6316-0357-00B	11-3161-0501-00	FLUID END MODULE STUDDED (INCLUDES ITEM 2-10)	3
2	TS-6316-0356-B	11-3161-0501-01	FLUID END MODULE ONLY (UNSTUDED)	3
3	TS-7507-2013-00	11-3161-0501-02	STUD, MODULE TO LINER CLAMP	36
4	TS-7601-0610-18	11-3161-0501-03	NUT, LINER CLAMP STUD	36
5	TS-7507-2201-00	11-3161-0501-05	STUD, POWER FRAME	30
6	TS-7507-2210-00	11-3161-0501-04	STUD, MODULE TO CYLINDER	30
7	TS-7601-0630-17	11-3161-0501-06	NUT	72
8	TS-7507-2108-00	11-3161-0501-07	STUD, MODULE TO DISC. MANIFOLD	12
9	TS-F16-05-35	11-3161-0537	STUD, FRAME SUPPORT	12
10	TS-7601-0630-24	11-3161-0501-08	NUT, MODULE TO DISCHARGE MANIFOLD STUD	12
11	TS-F16-05-04	11-3161-0504-00	VALVE GUIDE RETAINER	3
12	TS-F16-05-05	11-3161-0505-00	VALVE GUIDE (LOWER)	3
13	TS-F16-05-07	11-3161-0507	SPACER RING	3
14	TS-6316-0369-00	11-3161-0508	GASKET, CYLINDER HEAD SEAL (G-801*)	3
15	TS-F16-05-06	11-3161-0506-00	CYLINDER HEAD	3
16	TS-6316-0361-00	11-3161-0502	RING, THREADED CYLINDER HEAD	3
17	TS-6316-0362-00	11-3161-0503	CAP, THREADED CYLINDER HEAD	3
18	TS-6316-0092-00	11-3161-0512	GASKET, VALVE COVER (G-741*)	3
19	TS-7602-1600-61	B34521-190-700-69	GASKET, SUCTION MANIFOLD	3
20	TS-7602-5280-72	11-3161-0545	STEEL WIRE	1
21	TS-7501-0051-00	11-3161-0512-0530	SCREW, RETAINER (UPPER)	12
22	TS-6397-0603-00	11-3161-0529	PLATE, RETAINER (UPPER)	3
23	TS-6397-0575-00	11-3161-0527	VALVE GUIDE (UPPER)	3
24	TS-6316-0039-00	11-3161-0513	COVER, VALVE POT	3
25	TS-6316-0373-00	11-3161-0514	GASKET, WEAR PLATE/ LINER (G-800*)	6
26	TS-3161-0515	11-3161-0515	WEAR PLATE	3
27	TS-6316-0366-00	11-3161-0516	LINER FLANGE	3
28	TS-6316-0367-00	11-3161-0517-00	LINER LOCK	3
29	TS-7602-1600-25	B34521-095-530-69	GASKET, DISCHARGE MANIFOLD	3

TSC does not warrant or represent that any of such information is accurate, or that any products listed are compatible with each other.  
Any deviations from the OEM products should be verified as to compatibility.



FLUID END MODULE & ACCESSORIES

**SOUTHWEST NEW STYLE MODULE FOR NATIONAL 12-P-160  
TSC Manufacturing and Supply, LLC.**



TSC Manufacturing and Supply LLC, 13788 West Road, Suite 100, Houston, Texas 77041, USA  
Tel: +1 832 456 3900 Fax: +1 832 456 3998 E-mail: sales@t-s-c.com

## FLUID END MODULE &amp; ACCESSORIES

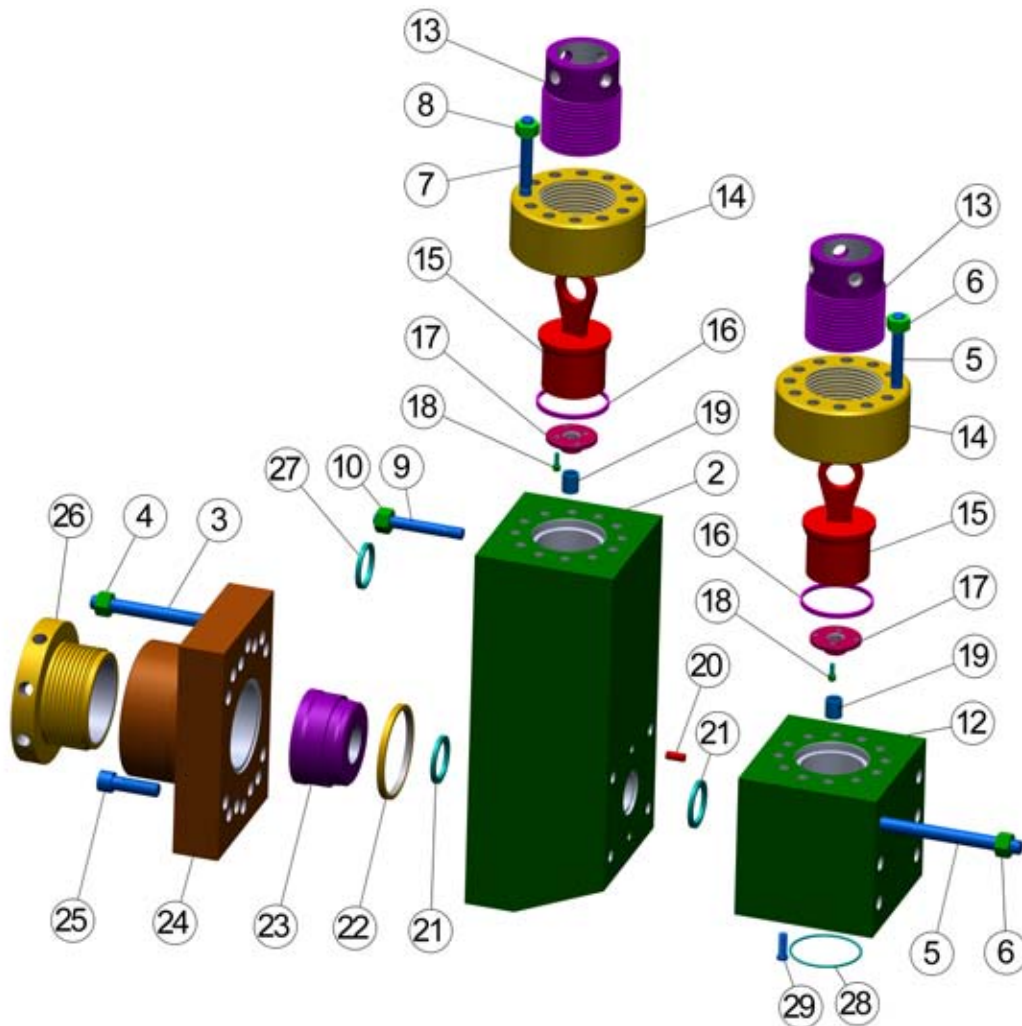
**SOUTHWEST NEW STYLE MODULE FOR NATIONAL 12-P-160**

ITEM	PART NUMBER	DESCRIPTION	QTY/PUMP
	TS-8476-4A	FLUID END MODULE COMPLETE ASSEMBLY	3
1	TS-FEM12PDISSWNS	STUDED FLUID END DISCHARGE (INCLUDE 2-8)	3
2	TS-12PDISSWNS	DISCHARGE MODULE ONLY	3
3	TS-12P160PFS	STUD, POWER FRAME	30
4	TS-8P80TRSN	NUT, POWER FRAME STUD	30
5	TS-12P160DSUCS	STUD, DISCHARGE TO SUCTION MODULE	18
6	TS-PEP55	NUT, DISCHARGE TO SUCTION STUD	18
7	TS-12PTRSSW	STUD, THREADED RING	36
8	TS-12P160TRSN	NUT, THREADED RING STUD	36
9	TS-FEM12PSUCSWNS	STUDED FLUID END SUCTION (INCLUDE 10-12)	3
10	TS-12PSUCSWNS	SUCTION MODULE ONLY	3
11	TS-12PTRSSW	STUD, THREADED RING	36
12	TS-12P160TRSN	NUT, THREADED RING STUD	36
13	TS-12PCAPSW	CAP, THREADED (SCREW GLAND)	6
14	TS-12PFLGSW	RING, THREADED (THREADED FLANGE)	6
15	TS-12PVCSWNS	PLUG, VALVE COVER	6
16	TS-SW119	SEAL, VALVE COVER PLUG - RUBBER	6
17	TS-12PVGASWNS	ASSEMBLY, VALVE GUIDE	6
18	TS-50C125KFCYB	SCREW, VALVE GUIDE	12
19	TS-PZ789VGI	BUSHING, VALVE GUIDE	6
20	TS-PEP70	PIN, DOWELL	6
21	TS-1290344	GASKET, WEAR PLATE AND MODULE	6
22	TS-PP6021260SW	PLATE, LINER WEAR	3
23	TS-12PLASW	FLANGE, LINER RETAINER (LINER BUSHING)	3
24	TS-PEP75	CAPSCREW, LINER RETAINER FLANGE	18
25	TS-12PLANSW	NUT, LINER RETAINER	3
26	TS-2410031437	SEAL, DISCHARGE ADAPTER	6
27	TS-NAT12PDSMA	ADAPTER, DISCHARGE	2
28	TS-2410031433	SEAL, DISCHARGE CONNECTOR TO DISCHARGE ADAPTER	2
29	TS-NAT12PDSMC	CONNECTOR, DISCHARGE	2
30	TS-700030711	CAPSCREW, DISCHARGE CONNECTOR (W/LOCKWASHER)	24
31	TS-1292175	RING, BACKUP (DISCHARGE CONNECTOR)	6
32	TS-1540851	GASKET, SUCTION MANIFOLD	3

TSC does not warrant or represent that any of such information is accurate, or that any products listed are compatible with each other.  
Any deviations from the OEM products should be verified as to compatibility.

FLUID END MODULE & ACCESSORIES

**SOUTHWEST FOR EMSCO FB-1300, FB-1600**  
**TSC Manufacturing and Supply, LLC.**



TSC Manufacturing and Supply LLC, 13788 West Road, Suite 100, Houston, Texas 77041, USA  
Tel: +1 832 456 3900 Fax: +1 832 456 3998 E-mail: sales@t-s-c.com

## FLUID END MODULE &amp; ACCESSORIES

## SOUTHWEST FOR EMSCO FB-1300, FB-1600

ITEM	PART NUMBER	DESCRIPTION	QTY/PUMP
	TS-8490-2A	FLUID END MODULE COMPLETE ASSEMBLY (INCLUDES ITEM 1-27)	3
1	TS-8490-1D	MODULE, STUDED DISCHARGE (INCLUDES ITEMS 2-10)	3
2	TS-8490-1	DISCHARGE MODULE ONLY	3
3	TS-4016-9	STUD, POWER FRAME	18
4	TS-7601-0630-17	NUT, POWER FRAME STUD	18
5	TS-4016-97	STUD, DISCHARGE MODULE TO SUCTION MODULE	18
6	TS-7601-0630-17	NUT, DISCHARGE TO SUCTION MODULE STUD	18
7	TS-4015-2	STUD, THREADED RING	72
8	TS-6300200	NUT, THREADED RING STUD	72
9	TS-4017-46	STUD, DISCHARGE MANIFOLD	12
10	TS-7601-0630-24	NUT, DISCHARGE MANIFOLD STUD	12
11	TS-8490-2S	MODULE, STUDED SUCTION (INCLUDES ITEMS 12-14)	3
12	TS-8490-2	SUCTION MODULE ONLY	3
13	TS-4575	CAP, VALVE COVER (THREADED)	6
14	TS-4475	RING, THREADED	6
15	TS-4675-2A	PLUG, VALVE COVER	6
16	TS-P-129	GASKET, VALVE COVER	6
17	TS-4775-2R	GUIDE, VALVE (INCLUDES ITEM 19)	6
18	TS-4016-99	VALVE GUIDE SCREW	12
19	TS-202000004	BUSHING, VALVE GUIDE	6
20	TS-8488-5	PIN, DOWELL	6
21	TS-2988	SEAL, SUC TO DISCH MOD & WEAR PLATE	6
22	TS-8422-3	RING, LINER RETAINER PILOT	3
23	TS-8490-3	PLATE, LINER WEAR	3
24	TS-6490-3	FLANGE, LINER RETAINER	3
25	TS-4017-36	CAPSCREW, LINER RETAINER FLANGE (SOCKET HEAD)	24
26	TS-6590-1	NUT, LINER LOCK	3
27	TS-568-343	GASKET, DISCHARGE MANIFOLD	3
28	TS-568-442	GASKET, SUCTION MANIFOLD	3
29	TS-4018-19	CAPSCREW, SUCTION MANIFOLD	18

TSC does not warrant or represent that any of such information is accurate, or that any products listed are compatible with each other.  
Any deviations from the OEM products should be verified as to compatibility.



## FLUID END MODULE &amp; ACCESSORIES

## SOUTHWEST FOR A-1400-PT, A-1700PT

ITEM	PART NUMBER	DESCRIPTION	QTY/PUMP
	TS-FEMA17ASSYSW	ASSY, FLUID END MODULE COMPLETE (INCLUDES ITEMS 2-32)	
1	TS-FEMA17DISSW	MODULE,STUDED DISCHARGE(INCLUDES ITEMS 2-10)	3
2	TS-A17DISSW	DISCHARGE MODULE ONLY	3
3	TS-OWA17PFSSW	STUD, POWER FRAME	12
4	TS-75510126	NUT, POWER FRAME STUD	12
5	TS-OWA17DSUCSSW	STUD, DISCHARGE TO SUCTION MODULE	18
6	TS-7601-0630-17	NUT, FOR ABOVE STUDE	18
7	TS-OWA17TRSSW	STUD, THREADED RING	36
8	TS-6300200	NUT, THREADED RING STUD	36
9	TS-OWA17DMSSW	STUD, DISCHARGE MANIFOLD	12
10	TS-7601-0630-28	NUT, DISCHARGE MANIFOLD STUD	12
11	TS-FEMA17SUCSW	MODULE, STUDED SUCTION (INCLUDES ITEMS 12-14)	3
12	TS-A17SUCSW	SUCTION MODULE ONLY	3
13	TS-OWA17TRSSW	STUD, THREADED RING	36
14	TS-6300200	NUT, THREADED RING STUD	36
15	TS-OWA17CAPSW	CAP, THREADED	6
16	TS-OWA17FLGSW	RING, THREADED	6
17	TS-OWA17VCASSYSW	PLUG, VALVE COVER (INCLUDLES ITEMS 19-21)	6
18	TS-07207129	SEAL, VALVE COVER	6
19	TS-OWA17VGASW	GUIDE, VALVE	6
20	TS-PEP73	SCREW, VALVE COVER RETAINER	12
21	TS-PZ789VGI*	BUSHING,VALVE GUIDE	6
22	TS-6511416	PIN, DOWELL	6
23	TS-1290344	SEAL, DISCHARGE TO SUCTION MODULE	3
24	TS-20100008	SEAL, WEAR PLATE	3
25	TS-10300184	PLATE WEAR	3
26	TS-OWA17LRPLATESW	PLATE, LINER RETAINER	3
27	TS-PEP68	CAPSCREW, LINER RETAINER PLATE	24
28	TS-OWA17LLNSW	NUT, LINER LOCK	3
29	TS-PEP90	SETSCREW, LINER RETAINER	9
30	TS-99609345	GASKET, DISCHARGE MANIFOLD	3
31	TS-10300201	GASKET, SUCTION MANIFOLD	3
32	TS-75634382	CAPSCREW, SUCTION MANIFOLD	24

TSC does not warrant or represent that any of such information is accurate, or that any products listed are compatible with each other.  
Any deviations from the OEM products should be verified as to compatibility.

NOTES

TSC Manufacturing and Supply LLC, 13788 West Road, Suite 100, Houston, Texas 77041, USA  
Tel: +1 832 456 3900 Fax: +1 832 456 3998 E-mail: sales@t-s-c.com

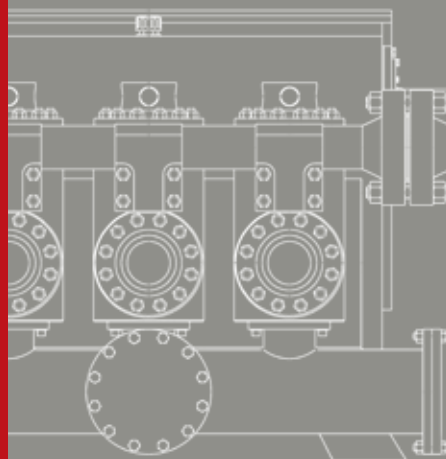
# TSC MUD PUMP EXPENDABLES

Expendables

Accessories

Fluid End Modules

[www.t-s-c.com](http://www.t-s-c.com)

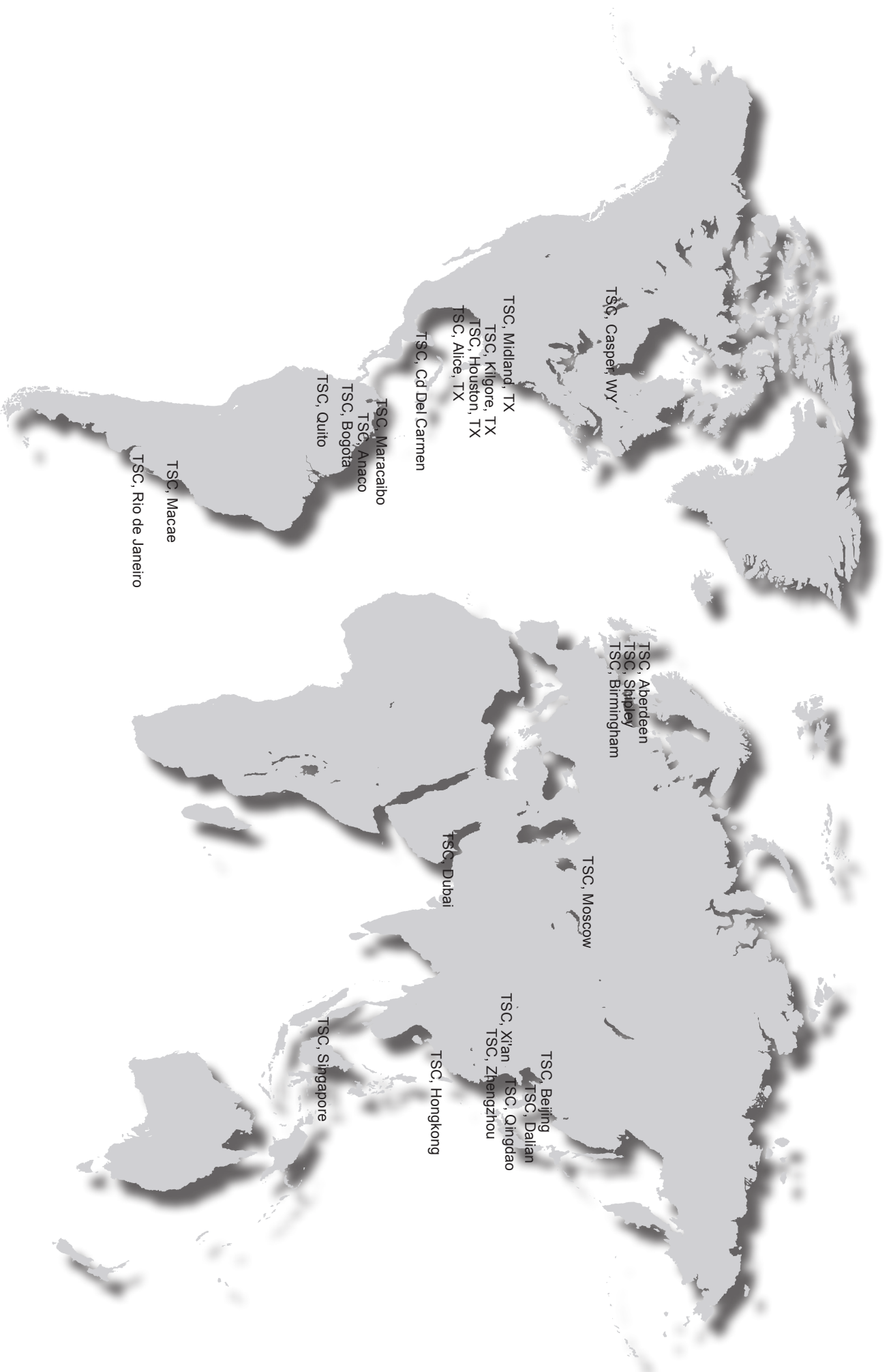


*Beyond Integration*  
*Seamless Solutions™*



TSC Manufacturing and Supply





TSC, Casper, WY

TSC, Midland, TX  
TSC, Kilgore, TX  
TSC, Houston, TX  
TSC, Alice, TX

TSC, Cd Del Carmen

TSC, Marracaibo  
TSC, Anaco  
TSC, Bogota  
TSC, Quito

TSC, Macae  
TSC, Rio de Janeiro

TSC, Aberdeen  
TSC, Shipley  
TSC, Birmingham

TSC, Moscow

TSC, Dubai

TSC, Beijing  
TSC, Dalian  
TSC, Qindao  
TSC, Xian  
TSC, Zhengzhou

TSC, Hongkong

TSC, Singapore



*Beyond Integration*  
*Seamless Solutions™*

## TSC MUD PUMP EXPENDABLES

[www.t-s-c.com](http://www.t-s-c.com)

### TSC MANUFACTURING AND SUPPLY, LLC.

13788 West Road, Suite 100,  
Houston, Texas 77041 U.S.A.  
Tel: 832.456.3900  
Toll Free: 1.866.8300.TSC  
Fax: 832.456.3998

[sales@t-s-c.com](mailto:sales@t-s-c.com)

